

Note:

1. Material:

△ \* Base:

High Temperature Plastic UL 94V-0

\* Contact: Brass

△ 2. For Lead Free Wave flow Process

Ordering Code:

C101 \*\* P 1 V D L -LF  
 ① ② ③ ④ ⑤ ⑥ ⑦ ⑧

① Series No.

② No. of circuits

③ Contact type: P= Pin Header

④ Plating option:

1= 3.05μm (120μ") Tin over

0.76μm(30μ") Nickel (Matte Tin Finish)

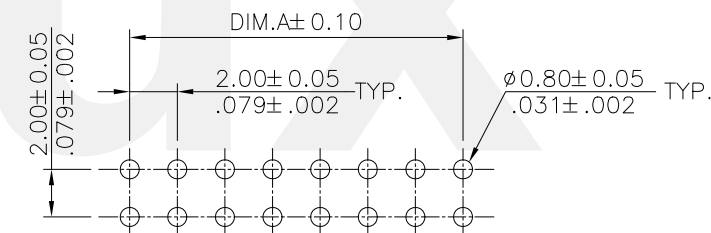
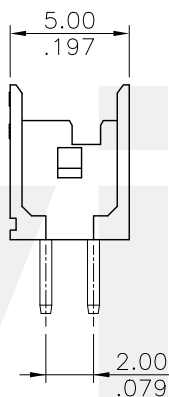
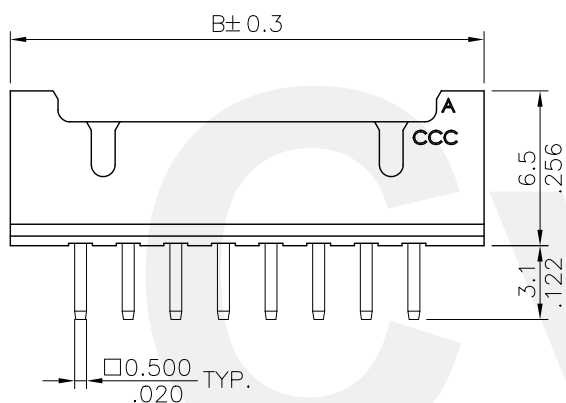
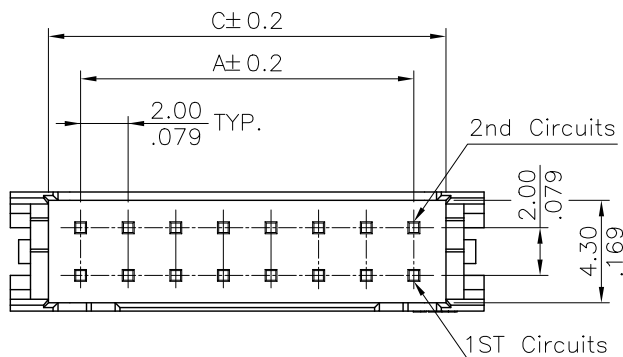
⑤ Type: V= Straight type

⑥ Row Option: D= Dual row

⑦ Latch option: L= With Locking Latch

△ ⑧ Other option:

-LF= For Lead Free Wave Flow Process



Recommended P.C. Board Layout

A = 2.0 × (No. of Circuits/2-1)


B = A + 5.9

C = A + 2.7

\* Available in 6 through 34 circuits

Lead Free Process

RoHS Compliant

△4						DATE	UNIT: mm / inch	TITLE:	 瀚荃股份有限公司 CviLux Corporation
△3	Enya	4/12-13'	ECN13075-0/ECR13027-0	DRAWN BY:	Enya	4/12-13'	TOLERANCE UNLESS OTHERWISE SPECIFIED	2.00mm PIN HEADER DIP TYPE	
△2	Enya	3/7-13'	ECN13056-0/ECR13007-1	ENGINEER:	Eisley	4/15-13'	.X ± 0.30/012 X' ± 1'	MATERIAL:	
△1	Karen	5/26-10'	ECN10126	CHECKED BY:	Eisley	4/15-13'	.XX ± 0.20/008 .X' ±	FINISH:	
SYM	NAME	DATE	REVISIONS	APPROVED BY:	David	4/15-13'	.XXX ± 0.10/004 .XX' ±	DRAWING NO.	C10163SC
								PART NO.	C101**P1VDL-LF
								SCALE	3 / 1
								SHEET	1 OF 1

CIVILUX CORP  
 2013.05.07  
 ISSUED