

Material:

\* Insulation: Nylon 66, Color Nature

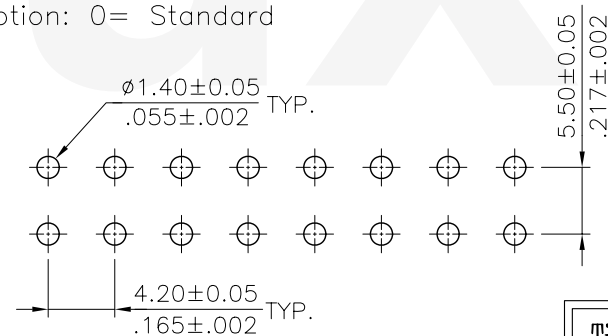
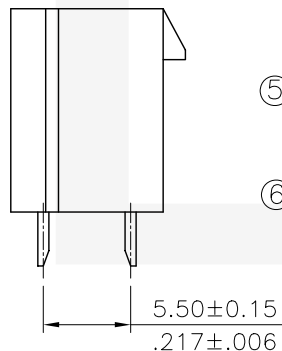
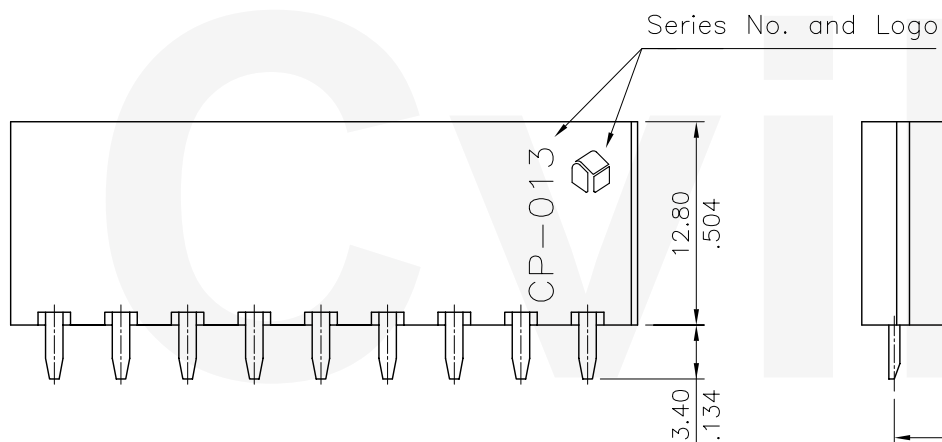
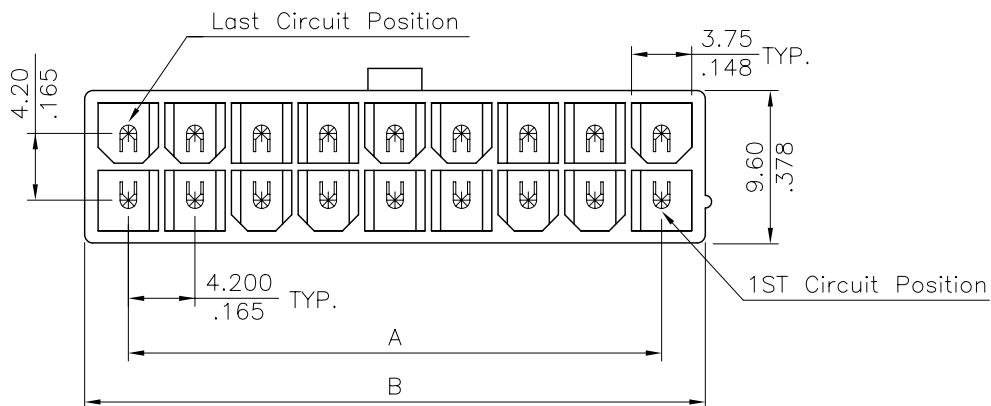
\* Contact: Brass

Circuit Pattern Schedule: See Drawing No: CP0110S\*

Ordering Code:

CP-01 3 \*\* \* E 0  
 ① ② ③ ④ ⑤ ⑥

- ① Series No.
- ② Type of Connector:  
3= Straight PCB mount header
- ③ No of Circuits:
- ④ Plating Code:  
1= 2.54μm(100μ") Tin over 1.02μm(40μ") Nickel  
2= Gold flash plated over 1.27μm(50μ") Nickel  
B= Selective 0.38μm(15μ") gold plated over 1.27μm(50μ") Nickel  
C= Selective 0.76μm(30μ") gold plated over 1.27μm(50μ") Nickel
- ⑤ Variation:  
E= UL 94V-2, Without mounting pegs (Glow wire available)
- ⑥ Option: 0= Standard



Recommended P.C. Board Layout

Tin-Lead Process  
 RoHS Compliant

④					DATE	UNIT: mm / inch	TITLE: STRAIGHT HEADER	瀚荃股份有限公司 CviLux Corporation
③					DRAWN BY: Sandy	5/12-08'	CP-01 POWER CONNECTOR	
②					ENGINEER: Eisley	5/13-08'	MATERIAL:	DRAWING NO. CP0150AB    PART NO. CP-013***E0 SCALE 2 / 1    SHEET 1 OF 1
①	Sandy	5/12-08'	ECN08219	CHECKED BY: David	5/13-08'	.X ± 0.38/.015    .X' ± r'	FINISH:	
SYM	NAME	DATE	REVISIONS	APPROVED BY: Alex	5/13-08'	.XX ± 0.25/.010    .X' ±		
						.XXX ± 0.10/.004    .XX' ±		

CVILUX CORP  
 2008.05.13  
 ISSUED