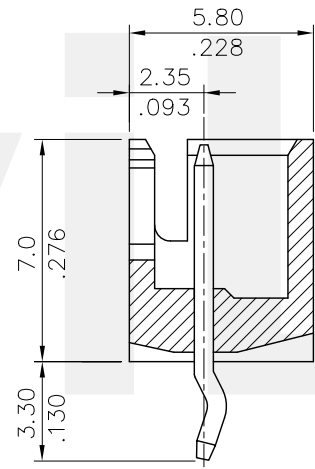
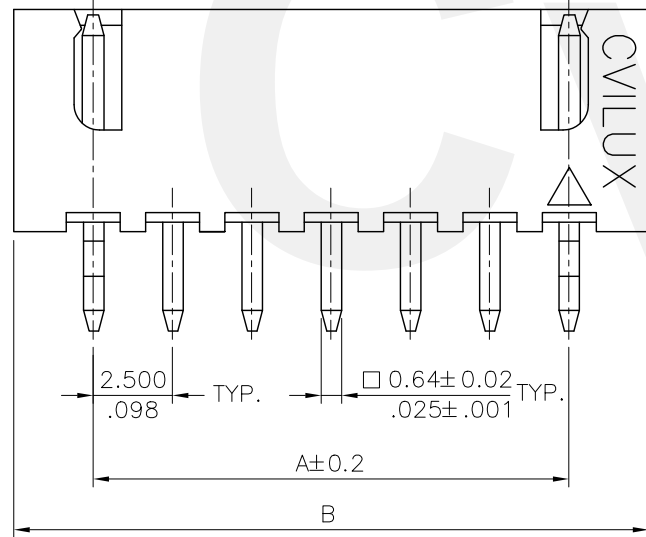


2P

3P~20P



A = 2.50 x No. of Spaces

B = A + 5.0

C = A + 3.5

* Available in 2 through 20 circuits

Note:

1. Material:

△* Insulation: High Temperature Plastic
UL 94V-0 Color Nature

* Contact: Brass

2. For Lead Free Wave flow Process

△

Ordering Code:

CI22 ** P 1 V K0 - LF
① ② ③ ④ ⑤ ⑥ ⑦

① Series No.

② No. of Circuits

③ Contact type: P= Pin header

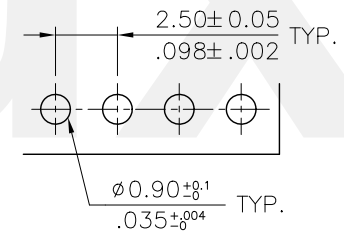
④ Plating option:

1= 3.05μm(120μ") Min. Matte Tin
plated over 0.76μm(30μ") Nickel

⑤ Type: V= Straight

⑥ Other Option: K0= With Pin Kinked


⑦ LF= For Lead Free Wave flow Process



Recommended P.C. Board Layout

Lead Free Process

RoHS Compliant

4					DATE	UNIT: mm / inch	TITLE: 2.50MM(.098") STRAIGHT PIN HEADERS	 瀚荃股份有限公司 CviLux Corporation	
3					DRAWN BY: Enya	TOLERANCE UNLESS OTHERWISE SPECIFIED	MATERIAL:		
2	Enya	4/16-13'	ECN13075-0/ECR13027-0	2013.04.24 ISSUED	ENGINEER: Eisley	.X ± 0.30/.012 X' ± r	DRAWING NO. CI2229SB	PART NO. CI22**P1VK0-LF	
1	Enya	3/11-13'	ECN13056-0/ECR13007-1		CHECKED BY: Eisley	.XX ± 0.20/.008 .X' ±			
SYM	NAME	DATE	REVISIONS		APPROVED BY: David	.XXX ± 0.10/.004 .XX' ±	FINISH:	SCALE 4 / 1	SHEET 1 OF 1