

Notes:

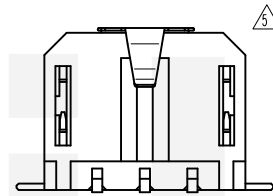
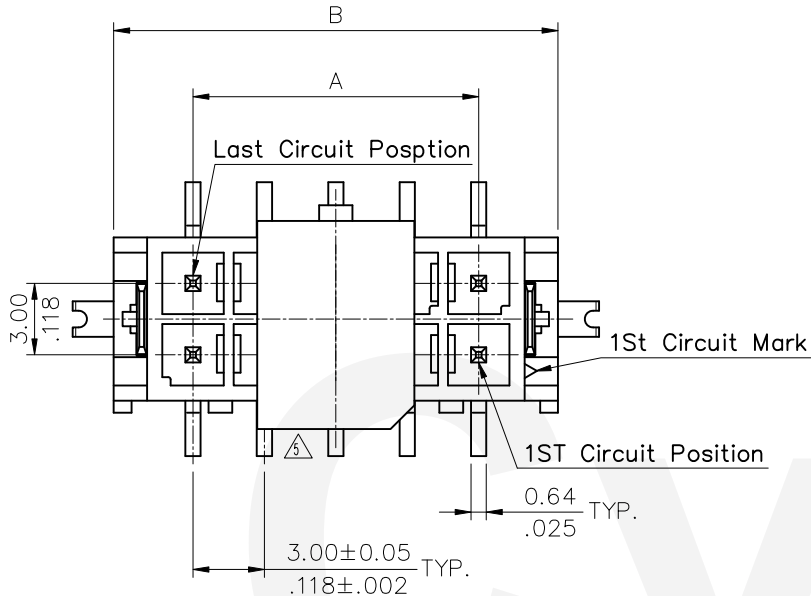
- △ * Insulation: High Temperature Plastic, Color Black
- * Contact: Brass
- * Fixed Tabs: Brass with Tin Plated
- * For Tin-Lead IR Reflow process

CIRCUITS	DIM. A	DIM. B
2	—	6.7(.264)
4	3.00(.118)	9.7(.382)
6	6.00(.236)	12.7(.500)
8	9.00(.354)	15.7(.618)
10	12.00(.472)	18.7(.736)
12	15.00(.591)	21.7(.854)
14	18.00(.709)	24.7(.972)
16	21.00(.827)	27.7(1.091)
18	24.00(.945)	30.7(1.209)
20	27.00(1.063)	33.7(1.327)
22	30.00(1.181)	36.7(1.445)
24	33.00(1.299)	39.7(1.563)

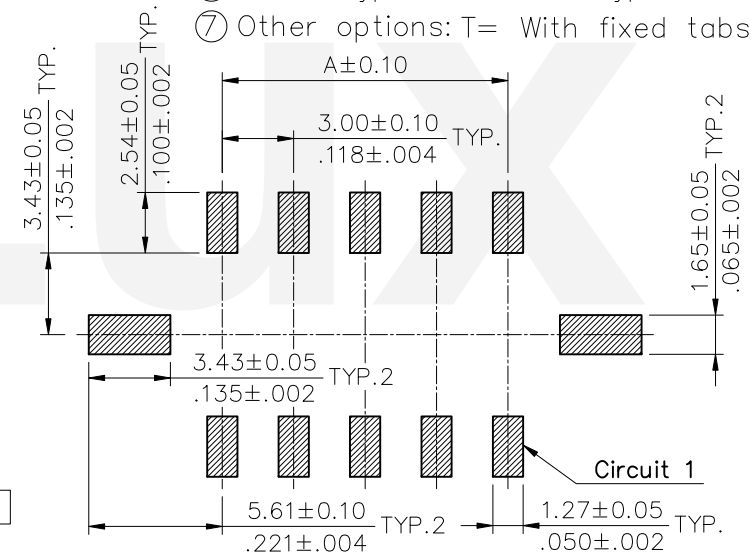
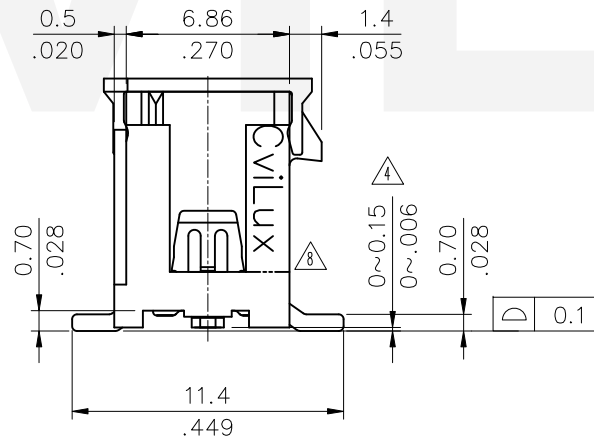
Ordering Code:

CP35 ** P * V S T
 ① ② ③ ④ ⑤ ⑥ ⑦

- ① Series No.
- ② No. of Circuits: 02~24
- ③ Contact type: P= Plug
- ④ Contact plated:
 - 1= Tin Plated over Nickel
 - A= Selective Gold Flash Plated over 1.27μm(50μ") Nickel
 - B= Selective 0.38μm(15μ") Gold Plated over 1.27μm(50μ") Nickel
 - C= Selective 0.76μm(30μ") Gold Plated over 1.27μm(50μ") Nickel
- ⑤ V= Straight
- ⑥ Mount type : S= SMT Type
- ⑦ Other options: T= With fixed tabs



For 2,4,6 Circuits

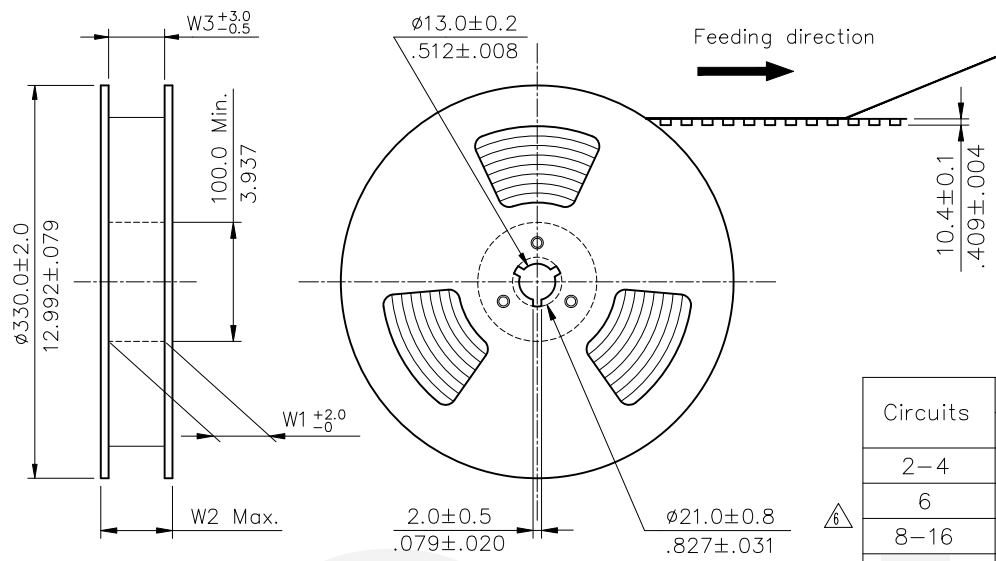


Recommended P.C. Board Layout

Tin-Lead Process RoHS Compliant

SYM	NAME	DATE	REVISIONS	APPROVED BY:	DATE	UNIT: mm / inch	TITLE: 3.00mm PITCH STRAIGHT SMT TYPE POWER CONN.	瀚荃股份有限公司 CviLux Corporation
△8	Eric	3/29-21'	ECRT121017/ECNT121085					
△7	Michelle	11/12-19'	ECRB11905/ECNT119313	DRAWN BY: Eric	3/29-21'	TOLERANCE UNLESS OTHERWISE SPECIFIED		
△6	Sun	4/30-14'	ECRB114011/ECNT114081	ENGINEER: Sun	3/31-21'	.X ± 0.30/.012 X' ± 1'	MATERIAL:	
△5	Sun	3/03-12'	ECR12002-1/ECN12023-0	CHECKED BY: Eisley	4/1-21'	.XX ± 0.20/.008 .X' ±	FINISH:	
				APPROVED BY: Eisley	4/1-21'	.XXX ± 0.10/.004 .XX' ±		

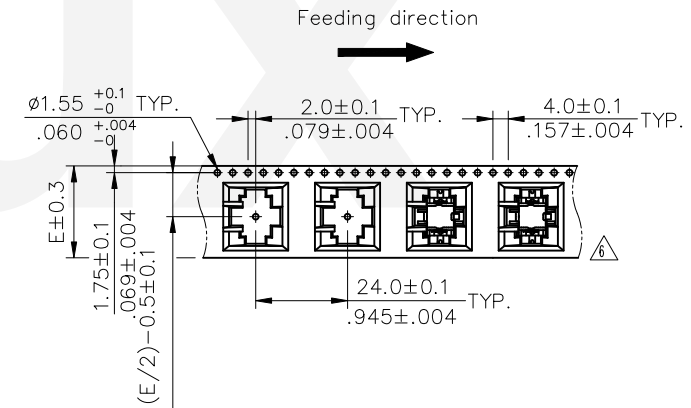
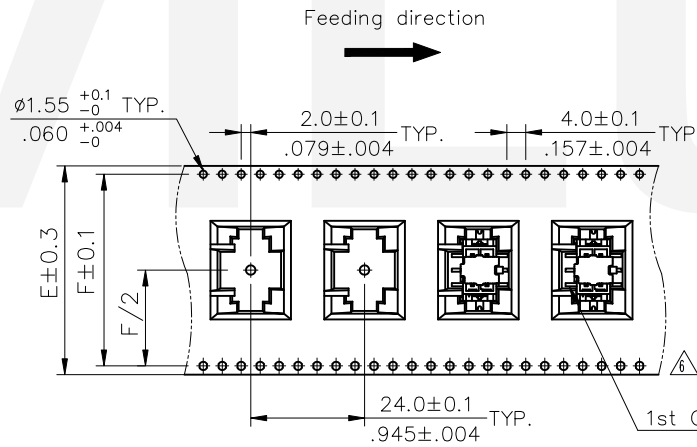
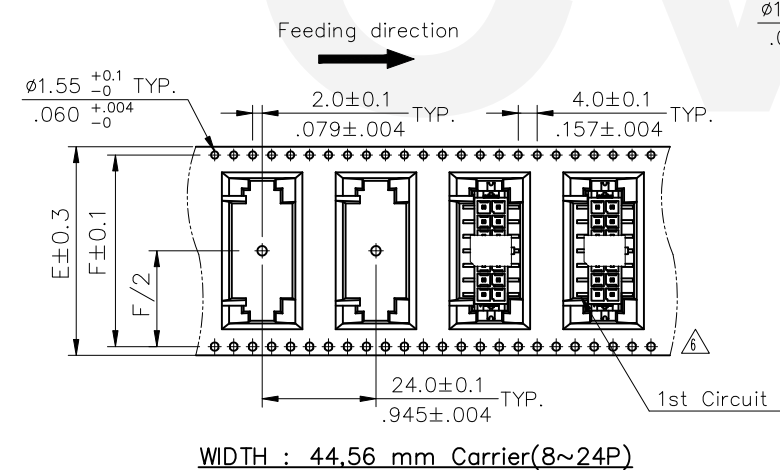
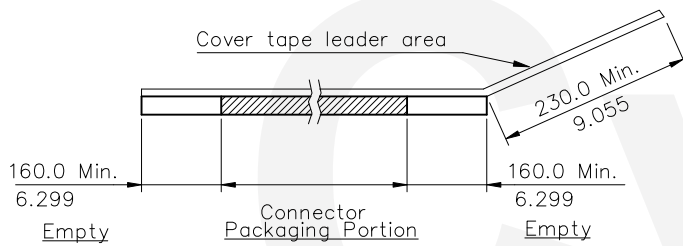
CIVILUX CORP
 2021.04.08
 ISSUED



NOTE :

- * Reel Material : Corrugated Paper
- * Carrier Material : Black,Conductive Polystyrene Alloy
- * Cover Tape Material : Polyester
- * Cover Tape Peel Strength : 0.1N – 1.3N
- * Carrier camber is within 1mm in 250mm
- * All dimensions meet EIA-481-B requirements.
- * Quantity : 250 PCS/Reel

Circuits	Dimension					Packing (Reel/Carton)
	E	F	W1	W2	W3	
2-4	24.0(.945)	-	24.5(.965)	30.5(1.200)	24.5(.965)	9
6	32.0(1.260)	28.40(1.118)	32.5(1.280)	38.5(1.516)	32.5(1.280)	7
8-16	44.0(1.732)	40.40(1.596)	44.5(1.752)	50.5(1.988)	44.5(1.752)	5
18-24	56.0(2.205)	52.40(2.063)	56.5(2.224)	62.5(2.461)	56.5(2.224)	4



RoHS Compliant

8	Eric	3/29-21'	ECRT121017/ECNT121085	DATE	UNIT: mm / inch	TITLE: 3.00mm PITCH STRAIGHT SMT TYPE POWER CONN.	瀚荃股份有限公司 CviLux Corporation
7	Michelle	11/12-19'	ECRB11905/ECNT119313	DRAWN BY: Eric	TOLERANCE UNLESS OTHERWISE SPECIFIED	MATERIAL:	
6	Sun	4/30-14'	ECRB114011/ECNT114081	ENGINEER: Sun	.X ±	.X' ± 1'	DRAWING NO. CP3511SM PART NO. CP35**P*VST
5	Sun	3/03-12'	ECR12002-1/ECN12023-0	CHECKED BY: Eisley	.XX ±	.X' ±	
SYM	NAME	DATE	REVISIONS	APPROVED BY: Eisley	.XXX ±	.XX' ±	SCALE SHEET 2 OF 2

CIVILUX CORP
 2021.04.08
 ISSUED