

Notes:

△\* Insulation: High Temperature Plastic

UL 94V-0, Color Black

\* Contact: Brass

\* Fixed Tabs: Brass with Matte Tin Plated

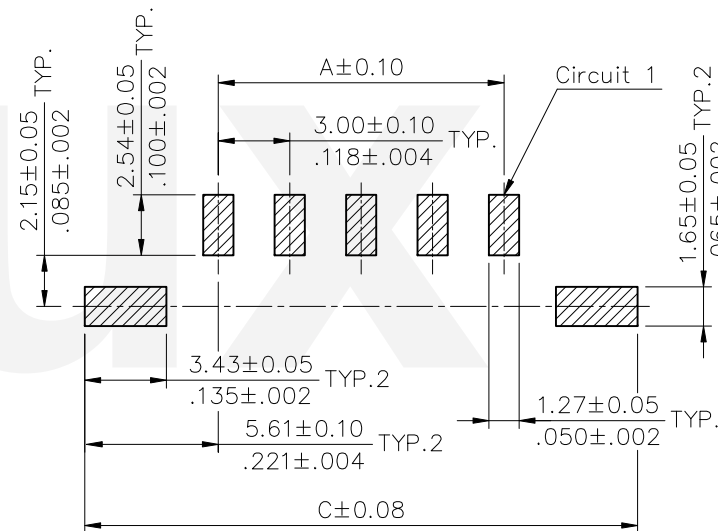
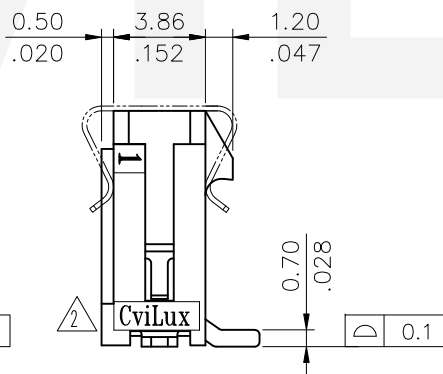
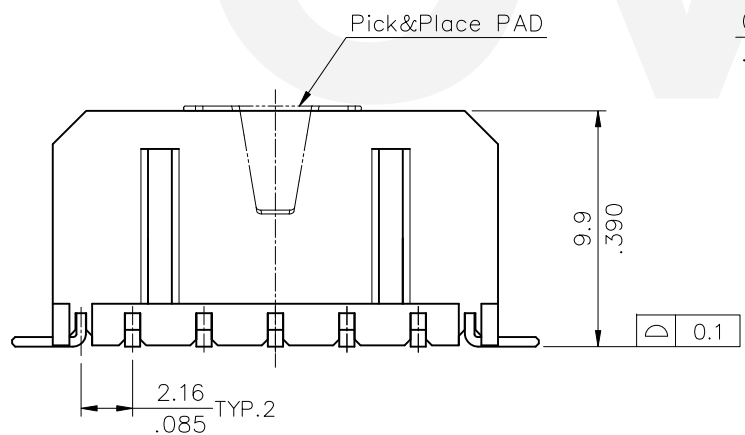
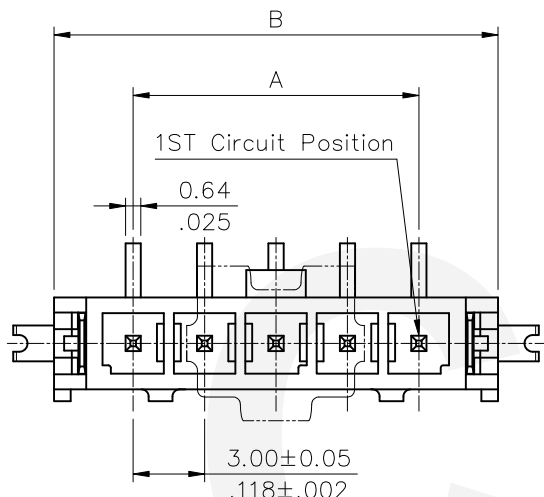
\* For Lead-Free IR Reflow process

### Ordering Code:

CP35 \*\* P \* V S T - S - NH  
 ① ② ③ ④ ⑤ ⑥ ⑦ ⑧ ⑨

- ① Series No.
- ② No. of Circuits: 02~12
- ③ Contact type: P= Plug
- ④ Contact plated:  
 1= Matte Tin Plated over Nickel  
 A= Selective Gold Flash Plated over 1.27 μm(50 μ") Nickel  
 B= Selective 0.38 μm(15 μ") Gold Plated over 1.27 μm(50 μ") Nickel  
 C= Selective 0.76 μm(30 μ") Gold Plated over 1.27 μm(50 μ") Nickel
- ⑤ V= Straight
- ⑥ Mount type : S= SMT Type
- ⑦ T= With Fixed Tabs  
 (Reel Packing With Pick&Place PAD)
- ⑧ S= Single Row Header
- ⑨ -NH= For Lead Free IR Reflow Processes and Halogen-Free

CIRCUITS	DIM.A	DIM.B	DIM.C
2	3.00(.118)	9.65(.380)	14.2(.559)
3	6.00(.236)	12.65(.498)	17.2(.677)
4	9.00(.354)	15.65(.616)	20.2(.795)
5	12.00(.472)	18.65(.734)	23.2(.913)
6	15.00(.591)	21.65(.852)	26.2(1.031)
7	18.00(.709)	24.65(.970)	29.2(1.150)
8	21.00(.827)	27.65(1.089)	32.2(1.268)
9	24.00(.945)	30.65(1.207)	35.2(1.386)
10	27.00(1.063)	33.65(1.325)	38.2(1.504)
11	30.00(1.181)	36.65(1.443)	41.2(1.622)
12	33.00(1.299)	39.65(1.561)	44.2(1.740)



Recommended P.C. Board Layout

Lead Free Process

Halogen-Free

RoHS compliant

SYM	NAME	DATE	REVISIONS	APPROVED BY:	DATE	UNIT: mm / inch	TITLE: 3.00mm PITCH STRAIGHT SMT TYPE POWER CONN.
△4							
△3							
△2	Eric	3/29-21'	ECRT121017/ECNT121085	DRAWN BY: Eric	3/29-21'	TOLERANCE UNLESS OTHERWISE SPECIFIED	MATERIAL:
△1	Yushu	4/15-19'	ECRB118091/ECNT119092	ENGINEER: Sun	3/31-21'	.X ± 0.30/012 X' ± 1'	FINISH:
				CHECKED BY: Eisley	4/1-21'	.XX ± 0.20/008 .X' ±	
				APPROVED BY: Eisley	4/1-21'	.XXX ± 0.10/004 .XX' ±	

CVILUX CORP  
 2021.04.08  
 ISSUED



瀚荃股份有限公司  
 CviLux Corporation

DRAWING NO.	CP35212SC	PART NO.	CP35**P*VST-S-NH
SCALE	3 / 1	SHEET	1 OF 2

