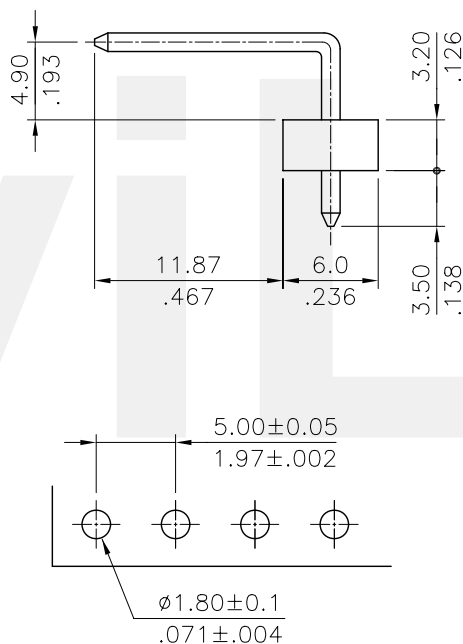


A = 5.00 \* No. of Spaces

B = A + 5.00

\* Available in 2 through 20 circuits



Recommended P.C. Board Layout

Material:

\* Insulation: Glass filled polyester UL 94V-0

\* Contact: Brass

Ordering Code:

CI78 \*\* P 1 H 00  
 ① ② ③ ④ ⑤ ⑥

- ① Series No.  
CI78= 5.0mm center spacing
- ② No. of Circuits
- ③ Contact type: P= Pin header
- ④ Plating option:  
 1= 3.05 $\mu$ m(120 $\mu$ "") Min. Tin over 0.76 $\mu$ m(30 $\mu$ "") Nickel  
 2= Gold flash plated over 1.27 $\mu$ m(50 $\mu$ "") Nickel  
 3= 0.38 $\mu$ m(15 $\mu$ "") Gold plated over 1.27 $\mu$ m(50 $\mu$ "") Nickel  
 4= 0.76 $\mu$ m(30 $\mu$ "") Gold plated over 1.27 $\mu$ m(50 $\mu$ "") Nickel
- ⑤ Tail Style: H= Right angle
- ⑥ Option: 00= Color White(Nature)

Tin-Lead Process

RoHS Compliant

④						DATE	UNIT: mm / inch	TITLE: 5.00MM(.197")	瀚荃股份有限公司 CviLux Corporation	
③					DRAWN BY: Betty	09/28-01'	TOLERANCE UNLESS OTHERWISE SPECIFIED	BOARD MOUNT PIN HEADER		
②					ENGINEER: David	09/28-01'	.X ± 0.38/.015 X' ± r	MATERIAL:		
①					CHECKED BY: David	09/28-01'	.XX ± 0.25/.010 .X' ±	FINISH:	DRAWING NO. CI7802SC	PART NO. CI78**P1H00
SYM	NAME	DATE	REVISIONS		APPROVED BY: Alex	09/28-01'	.XXX ± 0.10/.004 .XX' ±		SCALE 2 / 1	SHEET 1 OF 1