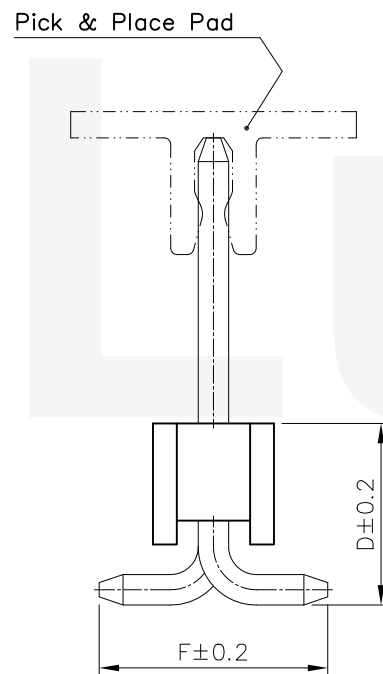
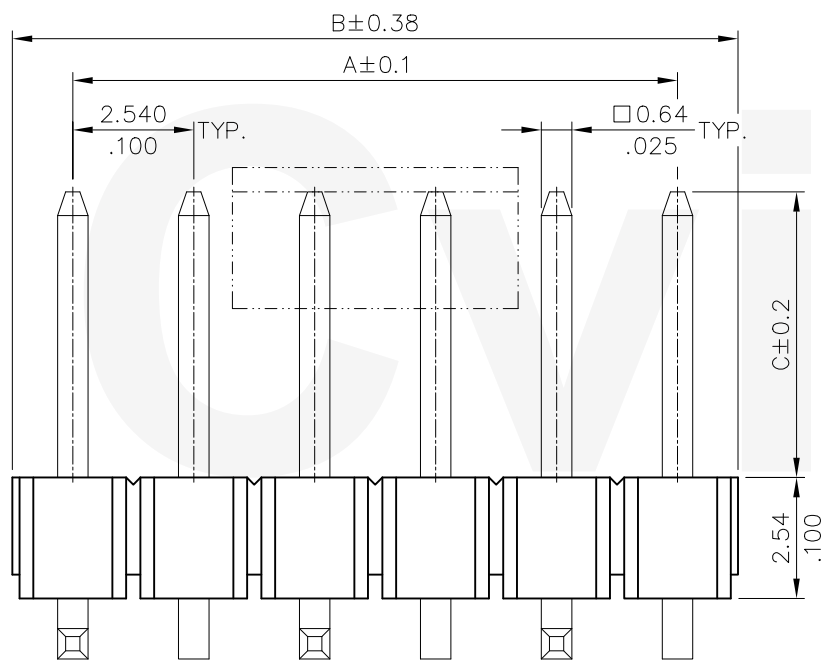


Notes:

- \* Material:  
 Insulator: Nylon 6T With 30% GF.  
 UL 94V-0 Color Black  
 Square Pin: Brass  
 Pick & Place Pad:  
 Nylon 6T UL 94V-0 Color Nature
- \* Pin overall Length 30.0mm Max.
- \* For Lead-Free IR Reflow process



DIM. A = 2.54 X No. of Spaces  
 DIM. B = DIM. A + 2.36  
 \* Available in 2 through 40 Circuits

Halogen-Free  
 Lead Free Process  
 RoHS Compliant

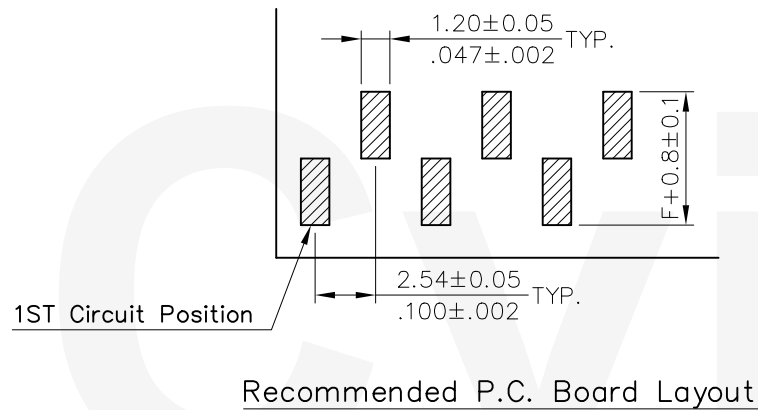
4					DATE	UNIT: mm / inch	TITLE: 2.54mm(.100") SINGLE ROW SURFACE BOARD MOUNT PIN HEADER	瀚荃股份有限公司 CviLux Corporation		
3				DRAWN BY: Karen	11/19-15'	TOLERANCE UNLESS OTHERWISE SPECIFIED	MATERIAL:		DRAWING NO. CH31201SA	PART NO. CH31***M1**-0*-NH
2				ENGINEER: Sun	11/20-15'	.X ± 0.25/.010 X' ± 1'	FINISH:		SCALE 6 / 1	SHEET 1 OF 2
1				CHECKED BY: Eisley	11/20-15'	.XX ± 0.15/.006 .X' ±				
SYM	NAME	DATE		REVISIONS	APPROVED BY: Eisley	11/20-15'	.XXX ± 0.10/.004 .XX' ±			

Ordering Code:

CH31 \*\* \* M 1 \*\* - 0 \* -NH

① ② ③ ④ ⑤ ⑥ ⑦ ⑧ ⑨

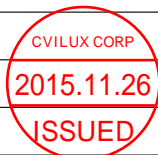
- ① Series No.
- ② No. of Contact: 02 to 40
- ③ Plating code:
  - 1=3.05 μm(120 μ”) Min. Tin  
over 0.79 μm(30 μ”) Nickel
  - 2=Gold Flash plated over  
1.27 μm(50 μ”) Nickel
  - 3=0.38 μm(15 μ”) Gold plated  
over 1.27 μm(50 μ”) Nickel
  - 4=0.76 μm(30 μ”) Gold plated  
over 1.27 μm(50 μ”) Nickel
- ④ Tail & Mounting Style:
  - M=Straight SMT Type
- ⑤ Insulator Material & Color:
  - 1=Nylon 6T , Color Black
- ⑥ Option Code:
  - See Table PDF. File No. CH3167T
- ⑦ Pin Size: 0=Original design
- ⑧ 0=Without Pick & Place Pad  
(Tube packaged)  
P=With Pick & Place Pad  
(Tape & Reel packing)
- ⑨ -NH= For Lead Free IR Processes  
and Halogen-Free



Halogen-Free

Lead Free Process

RoHS compliant



④					DATE	UNIT: mm / inch	TITLE: 2.54mm(.100") SINGLE ROW SURFACE BOARD MOUNT PIN HEADER	瀚荃股份有限公司 CviLux Corporation
③				DRAWN BY: Karen	11/19-15'	TOLERANCE UNLESS OTHERWISE SPECIFIED	MATERIAL:	
②				ENGINEER: Sun	11/20-15'	.X ± 0.25/.010 X' ± 1"	FINISH:	
①				CHECKED BY: Eisley	11/20-15'	.XX ± 0.15/.006 .X' ±	DRAWING NO. CH31201SA PART NO. CH31***M1**-0*-NH	
SYM	NAME	DATE	REVISIONS	APPROVED BY: Eisley	11/20-15'	.XXX ± 0.10/.004 .XX' ±	SCALE 6 / 1 SHEET 2 OF 2	