

Material:

\* Insulation: PBT UL 94V-0

\* Contact: Copper Alloy

### Ordering Code

CF01 \*\* 1 V 0 00  
 ① ② ③ ④ ⑤ ⑥

① Series No.

② No. of Circuits: 8,13&14

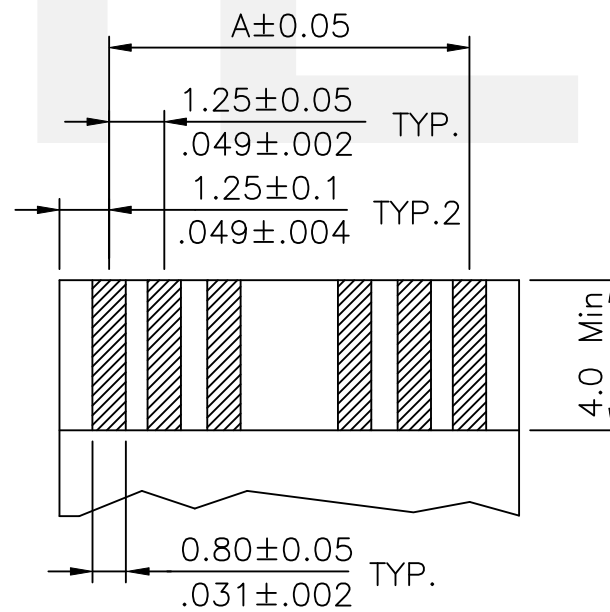
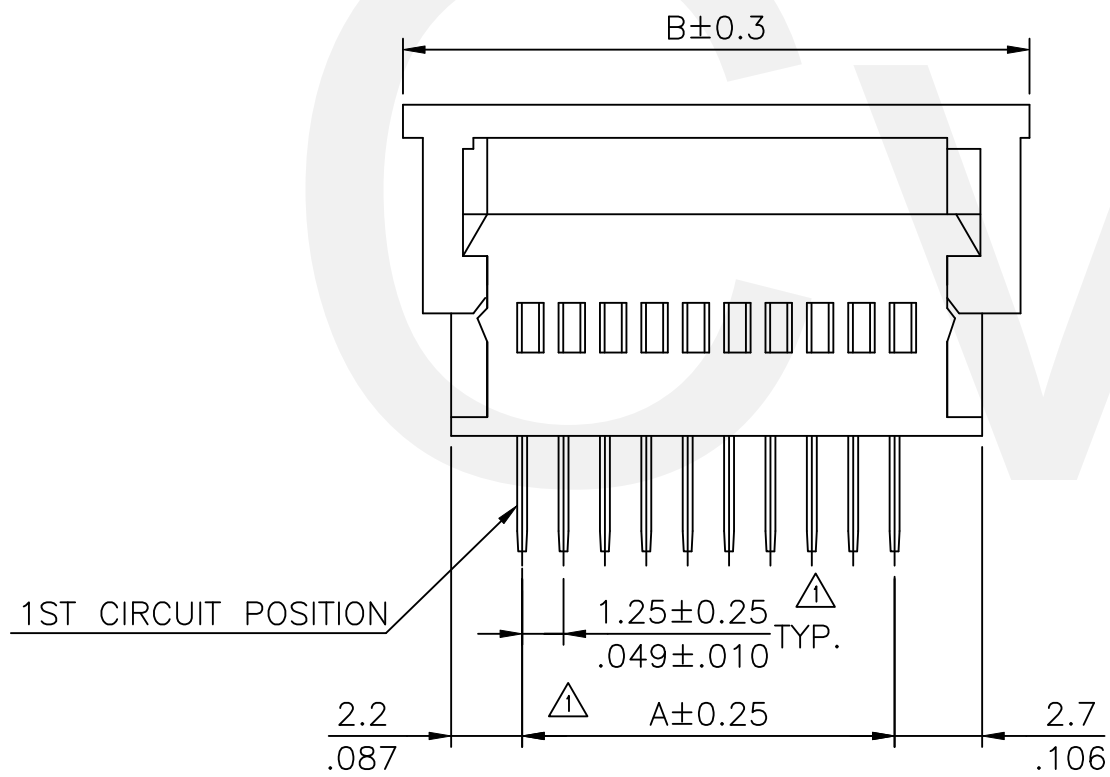
③ Plating code:

1 = Tin plated over Nickel

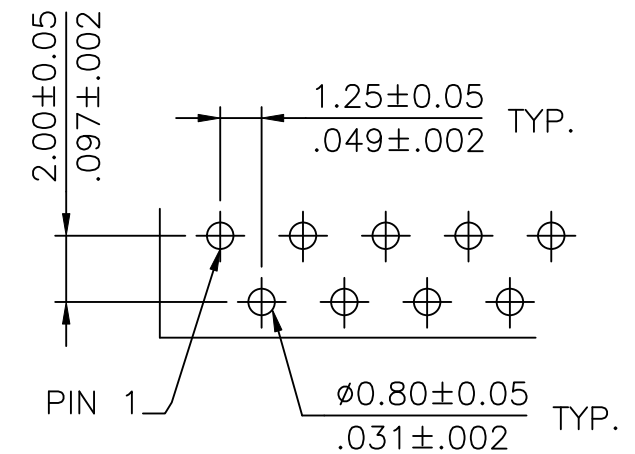
④ Entry option: V = Straight

⑤ Color: 0 = Nature

⑥ Other options: 00 = Standard



Accommodated FPC/FFC  
 (Thickness: 0.3mm±0.05)



Recommended P.C. Board Layout


A = 1.25 \* No. of Spaces

B = A + 7.05

C = A + 2.7

④ ② \* Available in 8,13&14 circuits

RoHS Compliant

④	Jessie	11/21-23'	ECNT123255/ECRT123078		DATE	UNIT: mm / inch	TITLE: 1.25mm(.049")	 瀚荃股份有限公司 CviLux Corporation
③	Yushu	7/28-20'	ECNT120192/ECRT120046	DRAWN BY:	Jessie	11/24-23'	ZIF FFC/FPC SOCKET	
②	Karen	9/03-15'	ECNT115199/ECRT115075	ENGINEER:	Sun	11/24-23'	MATERIAL:	
①	Karen	10/1-08'	ECN08494/ECR08076-0	CHECKED BY:	Eisley	11/24-23'	FINISH:	
SYM	NAME	DATE	REVISIONS	APPROVED BY:	Eisley	11/24-23'		DRAWING NO. CF0103SE SCALE 3 / 1 PART NO. CF01**1V000 SHEET 1 OF 1

