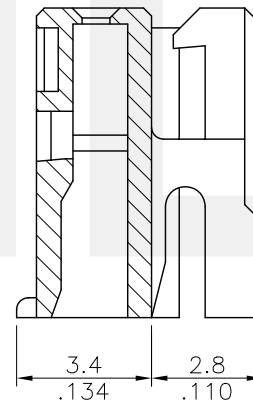
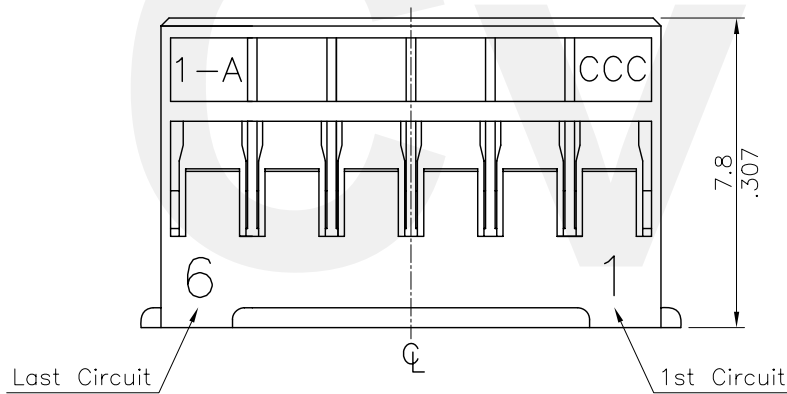
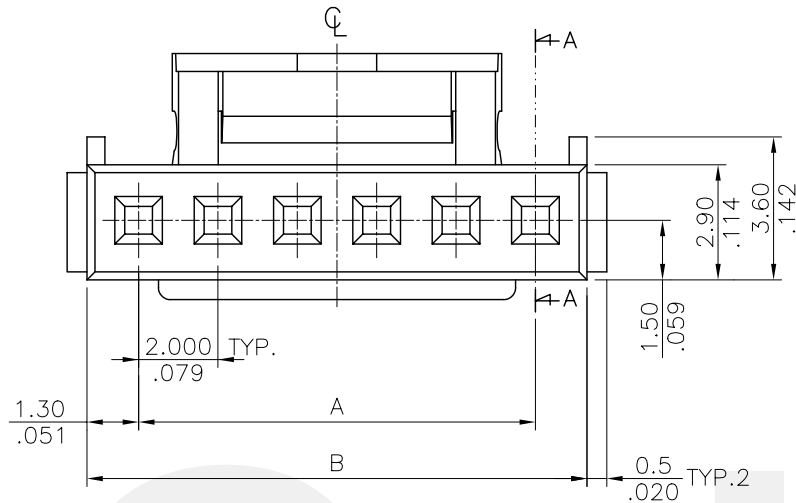


Material:
Nylon 66 UL 94V-0, Color Nature

Ordering Code

CI06 ** S 0000
 ① ② ③ ④

- ① Series No.
- ② No. of Circuits:
- ③ S= Connector housing
- ④ Other option: 0000= Standard



SEC A-A

Circuits	Dimension	
	A	B
2	2.00(.079)	4.6(.181)
3	4.00(.157)	6.6(.260)
4	6.00(.236)	8.6(.339)
5	8.00(.315)	10.6(.417)
6	10.00(.394)	12.6(.496)
7	12.00(.472)	14.6(.575)
8	14.00(.551)	16.6(.654)
9	16.00(.630)	18.6(.732)
10	18.00(.709)	20.6(.811)
11	20.00(.787)	22.6(.890)
12	22.00(.866)	24.6(.969)
13	24.00(.945)	26.6(1.047)
14	26.00(1.024)	28.6(1.126)
15	28.00(1.102)	30.6(1.205)
16	30.00(1.181)	32.6(1.283)



Halogen-Free

RoHS Compliant

④				 2007.04.16 ISSUED		DATE	UNIT: mm / inch	TITLE: 2.00MM(.079")	 瀚荃股份有限公司 CviLux Corporation
③					DRAWN BY: Sandy	4/2-07'	TOLERANCE UNLESS OTHERWISE SPECIFIED	CRIMP TERMINAL HOUSING	
②					ENGINEER: Eisley	4/3-07'	.X ± 0.30/.012 X' ± 1"	MATERIAL:	
①	Sandy	4/2-07'	ECN07128		CHECKED BY: David	4/3-07'	.XX ± 0.20/.008 .X' ±	FINISH:	DRAWING NO. CI0603SB
SYM	NAME	DATE	REVISIONS	APPROVED BY: Alex	4/3-07'	.XXX ± 0.10/.004 .XX' ±		SCALE 4 / 1	SHEET 1 OF 1