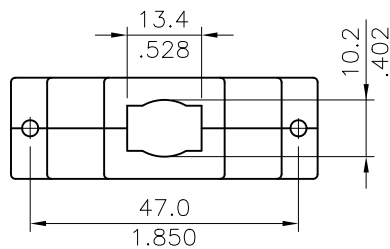
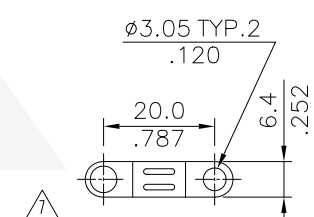
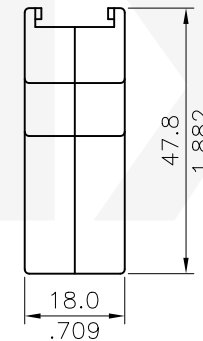
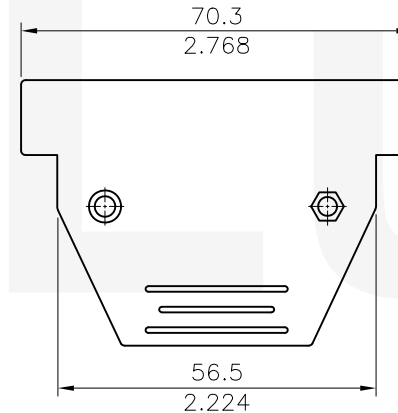
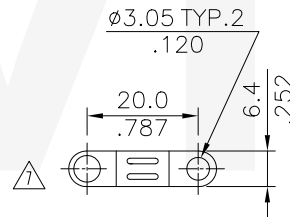
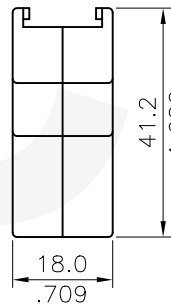
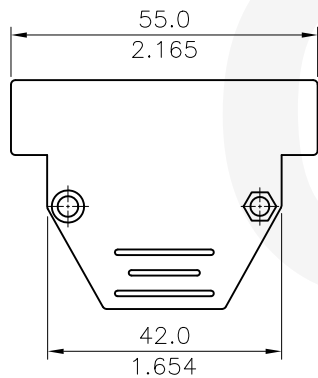


P/N: CD4409HO*00

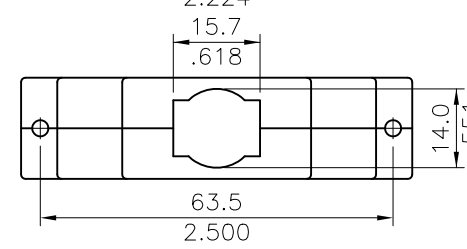
P/N: CD4415HO*00

Material:

- * Hood: ABS UL 94HB
Color Black or Metalized
- * Screw: Steel with Nickel plated
- * Cable Clipper: Steel with Nickel plated



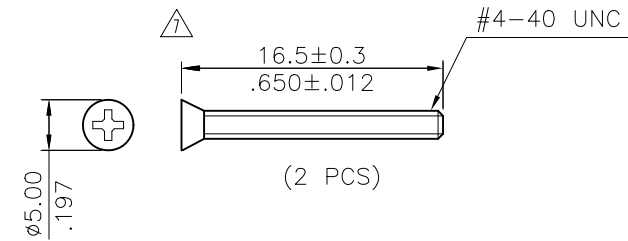
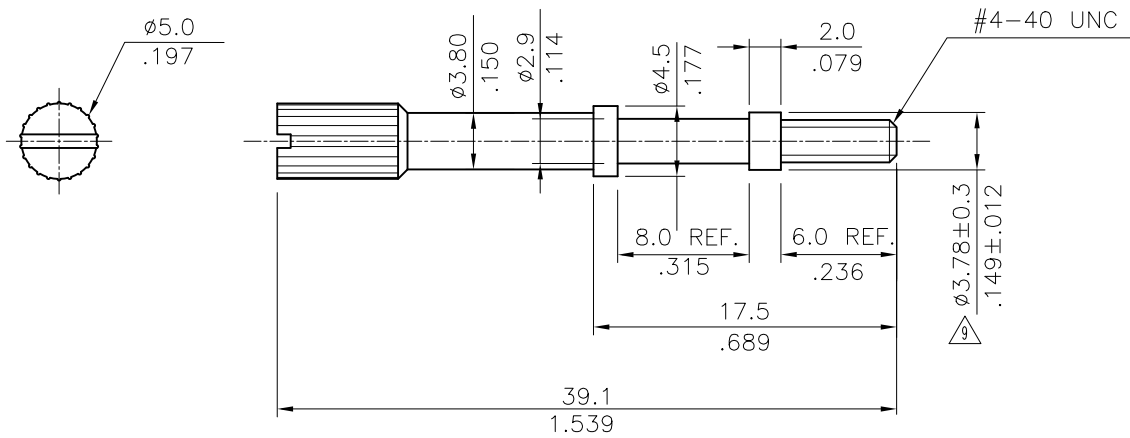
P/N: CD4425HO*00



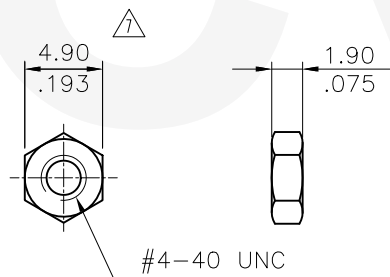
P/N: CD4437HO*00

RoHS Compliant

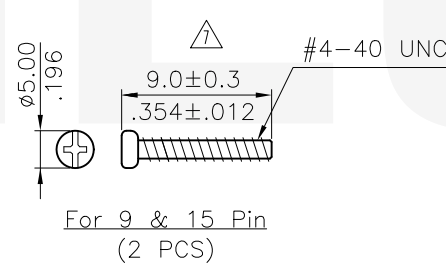
△10	Karen	5/18-16'	ECNT116097/ECRT116014	 2016.05.26 ISSUED	DATE	UNIT: mm / inch	TITLE: D-SUB CONNECTOR ACCESSORIES (PLASTIC HOOD & ACCESSORY SCREW)	 瀚荃股份有限公司 CviLux Corporation	
△9	Karen	6/11-11'	ECN11123/ECR11034-0		DRAWN BY: Karen	5/18-16'	TOLERANCE UNLESS OTHERWISE SPECIFIED		MATERIAL:
△8	Karen	8/17-09'	ECN09417/ECR09109-0		ENGINEER: Sun	5/18-16'	.X ± 0.38/.015 X' ± 1"		FINISH:
△7	Bill	12/07/07'	ECN07499/ECR07132-0		CHECKED BY: Eisley	5/20-16'	.XX ± 0.25/.010 X' ±		DRAWING NO. CD4401SL
SYM	NAME	DATE	REVISIONS		APPROVED BY: Eisley	5/20-16'	.XXX ±		PART NO. CD44**HO*00
								SCALE 1 / 2	SHEET 1 OF 2



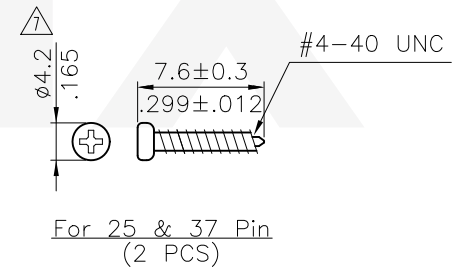
$\triangle 7$ $\triangle 8$
P/N: CDHWE104S00
(2 PCS)



$\triangle 10$ (2 PCS)

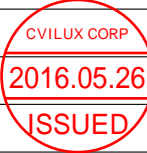



For 9 & 15 Pin
(2 PCS)



For 25 & 37 Pin
(2 PCS)

RoHS Compliant

$\triangle 10$	Karen	5/18-16'	ECNT116097/ECRT116014	 2016.05.26 ISSUED		DATE	UNIT: mm / inch	TITLE: D-SUB CONNECTOR ACCESSORIES (PLASTIC HOOD & ACCESSORY SCREW)	 瀚荃股份有限公司 CviLux Corporation	
$\triangle 9$	Karen	6/11-11'	ECN11123/ECR11034-0		DRAWN BY: Karen	5/18-16'	TOLERANCE UNLESS OTHERWISE SPECIFIED	MATERIAL:		DRAWING NO. CD4401SL
$\triangle 8$	Karen	8/17-09'	ECN09417/ECR09109-0		ENGINEER: Sun	5/18-16'	.X \pm 0.38/.015 .X' \pm 1"	FINISH:		PART NO. CD44**H0*00
$\triangle 7$	Bill	12/07/07'	ECN07499/ECR07132-0		CHECKED BY: Eisley	5/20-16'	.XX \pm 0.25/.010 .X' \pm		SCALE 2 / 1	
SYM	NAME	DATE	REVISIONS		APPROVED BY: Eisley	5/20-16'	.XXX \pm .XX' \pm		SHEET 2 OF 2	