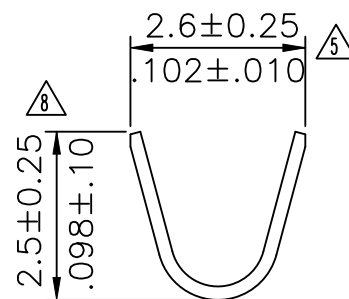
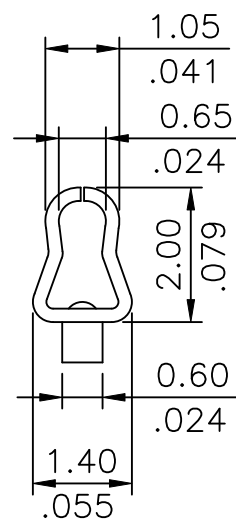


Wire Range	Insulation Diameter	Reel Q'ty
AWG #22~#24	1.60 (.063) MAX.	10,000 PCS.

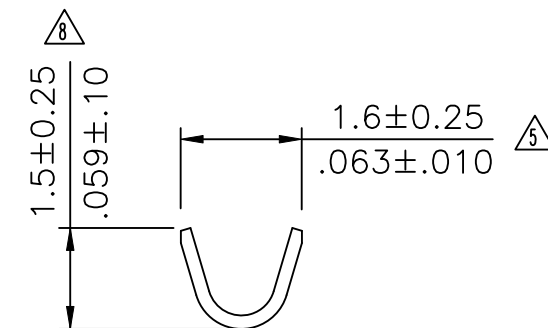
Ordering Code:

CI25 T02 1 P E 0
 ① ② ③ ④ ⑤ ⑥

- ① Series No.
- ② Type: T02= AWG #22 ~ #24
- ③ 1= 1.52 μ m(60 μ "") Min. Tin over 0.38 μ m(15 μ "") Nickel
- ④ Material: P= Phosphor Bronze
- ⑤ Plating method: E= Pre-tinned
- ⑥ Option: 0= Standard




SEC: A-A



SEC: B-B

RoHS Compliant

REV	SYM	NAME	DATE	REVISIONS	APPROVED BY:	Eisley	3/31-26'	DATE	UNIT: mm / inch	TITLE:	2.50MM(.098") CRIMP TERMINAL	 瀚荃股份有限公司 CviLux Corporation			
8	Roy	3/31-26'	ECRB126002/ECNT126064												
7	Karen	11/01-19	ECNT119298		DRAWN BY:	Roy	3/31-26'		TOLERANCE UNLESS OTHERWISE SPECIFIED						
6	Yushu	05/15-19	ECRB119028/ECNT119119	2026-04-13	ENGINEER:	Karen	3/31-26'		.X $\pm 0.20/.008$ X' $\pm 1'$	MATERIAL:					
5	Sun	11/13-08	ECR08071-3/ECN08572	ISSUED	CHECKED BY:	Sun	3/31-26'		.XX $\pm 0.10/.004$ X' \pm	FINISH:					
					APPROVED BY:		3/31-26'		.XXX $\pm 0.05/.002$ XX' \pm			DRAWING NO.	CI2505SL	PART NO.	CI25T021PE0
												SCALE	6 / 1	SHEET	1 OF 1