

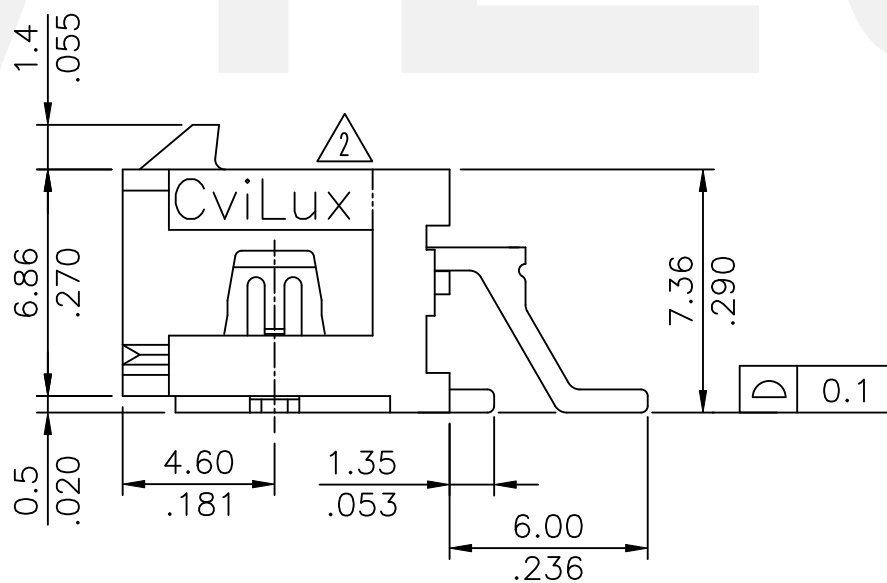
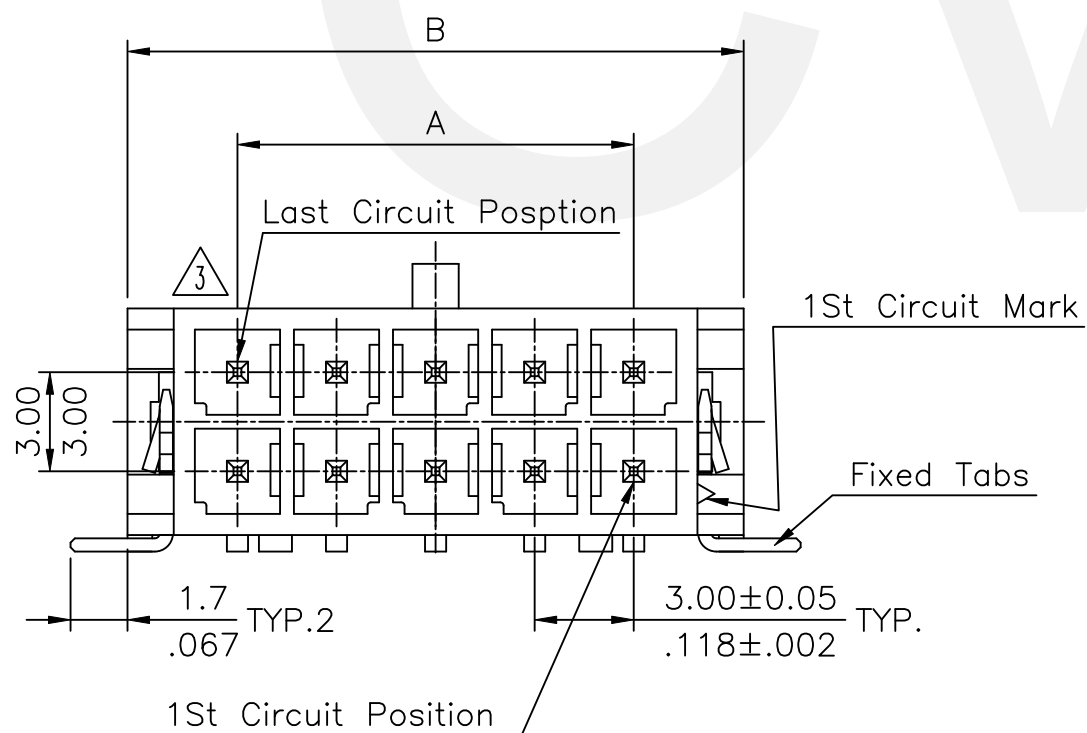
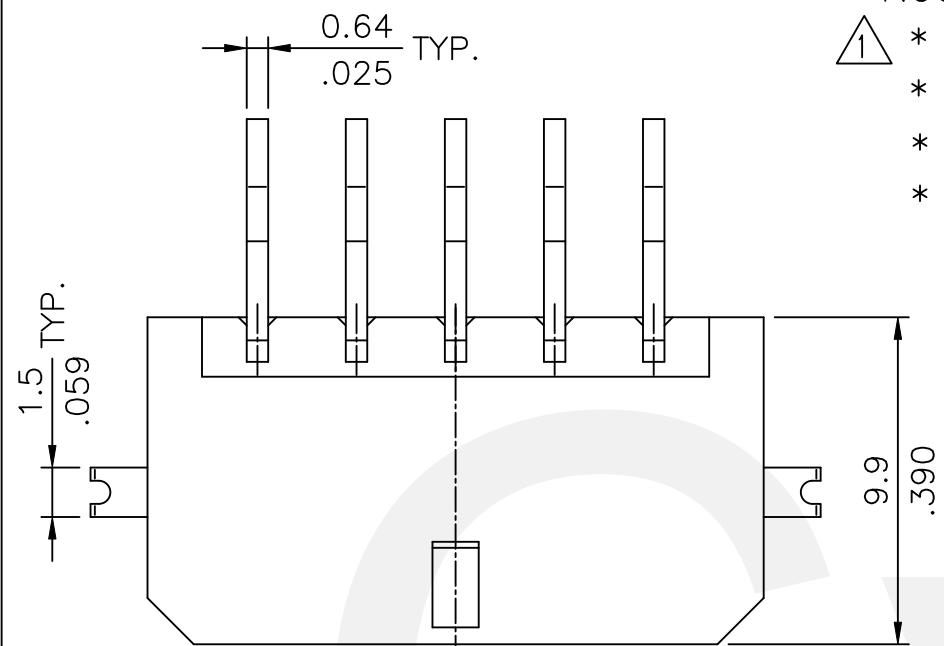
Notes:

- ① \* Insulation: High Temperature Plastic, Color Black
- \* Contact: Brass
- \* Fixed Tabs: Brass with Matte Tin Plated
- \* For Lead Free Reflow Process

Ordering Code:

CP35 \*\* P \* H S T - NH  
 ① ② ③ ④ ⑤ ⑥ ⑦ ⑧

- ① Series No.
- ② No. of Circuits: 02~24
- ③ Contact type: P= Plug
- ④ Contact plated:
  - 1= Matte Tin Plated over Nickel
  - A= Selective Gold Flash Plated on Contact area and Matte Tin Plating on Soldertails, 1.27μm(50μ") Nickel Underplating over all
  - B= Selective 0.38μm(15μ") Gold Plated on Contact area and Matte Tin Plating on Soldertails, 1.27μm(50μ") Nickel Underplating over all
  - C= Selective 0.76μm(30μ") Gold Plated on Contact area and Matte Tin Plating on Soldertails, 1.27μm(50μ") Nickel Underplating over all
- ⑤ H= Right angle type
- ⑥ Mount type : S= SMT Type
- ⑦ Other options: T= With Fixed Tabs
- ⑧ NH= For Lead Free Reflow Process and Halogen Free

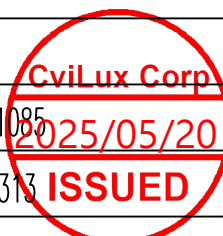


Halogen-Free

Lead Free Process

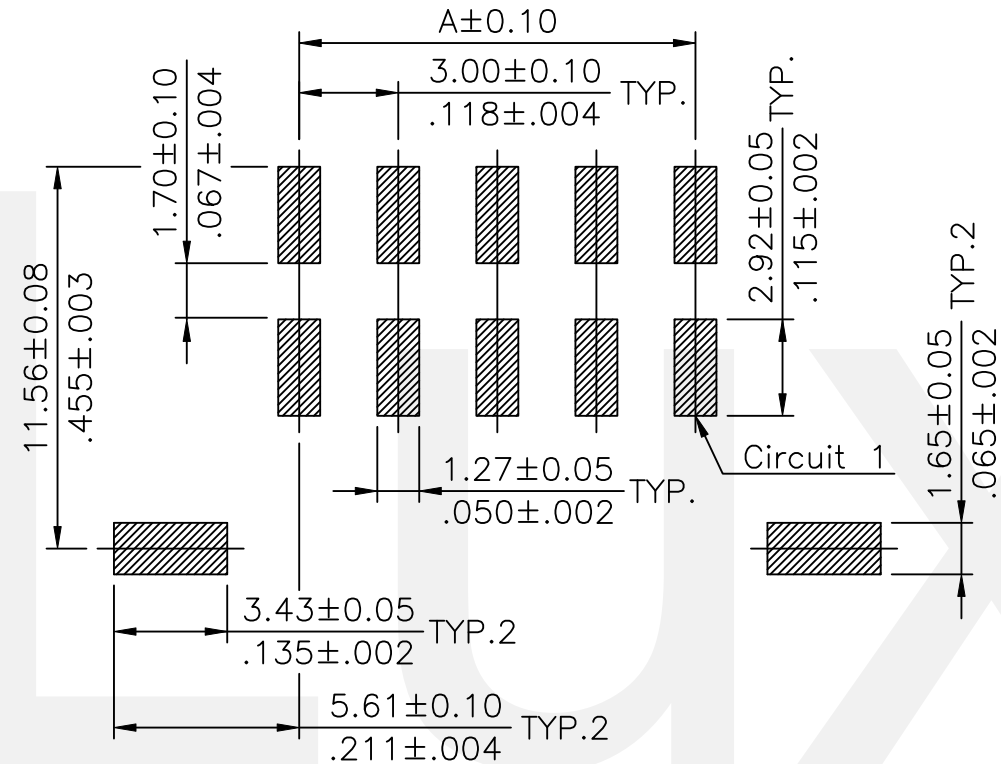
RoHS Compliant

④					DATE	UNIT: mm / inch	TITLE: 3.00mm PITCH RIGHT ANGLE SMT TYPE POWER CONN.
③	Wayne	05/06-25'	ECNT125108	DRAWN BY:	Wayne	05/06-25'	TOLERANCE UNLESS OTHERWISE SPECIFIED
②	Eric	3/29-21'	ECRT121017/ECNT121085	ENGINEER:	Sun	05/06-25'	
①	Michelle	11/12-19'	ECRB11905/ECNT119373	CHECKED BY:	Eisley	05/06-25'	MATERIAL:
SYM	NAME	DATE	REVISIONS	APPROVED BY:	Eisley	05/06-25'	FINISH:



DRAWING NO.	CP35112SD	PART NO.	CP35**P*HST-NH
SCALE	3 / 1	SHEET	1 OF 3

CIRCUITS	DIM. A	DIM. B
2	—	6.7(.264)
4	3.00(.118)	9.7(.382)
6	6.00(.236)	12.7(.500)
8	9.00(.354)	15.7(.618)
10	12.00(.472)	18.7(.736)
12	15.00(.591)	21.7(.854)
14	18.00(.709)	24.7(.972)
16	21.00(.827)	27.7(1.091)
18	24.00(.945)	30.7(1.209)
20	27.00(1.063)	33.7(1.327)
22	30.00(1.181)	36.7(1.445)
24	33.00(1.299)	39.7(1.563)

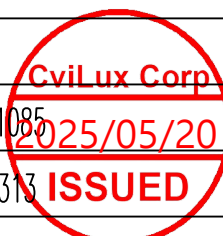


Halogen-Free

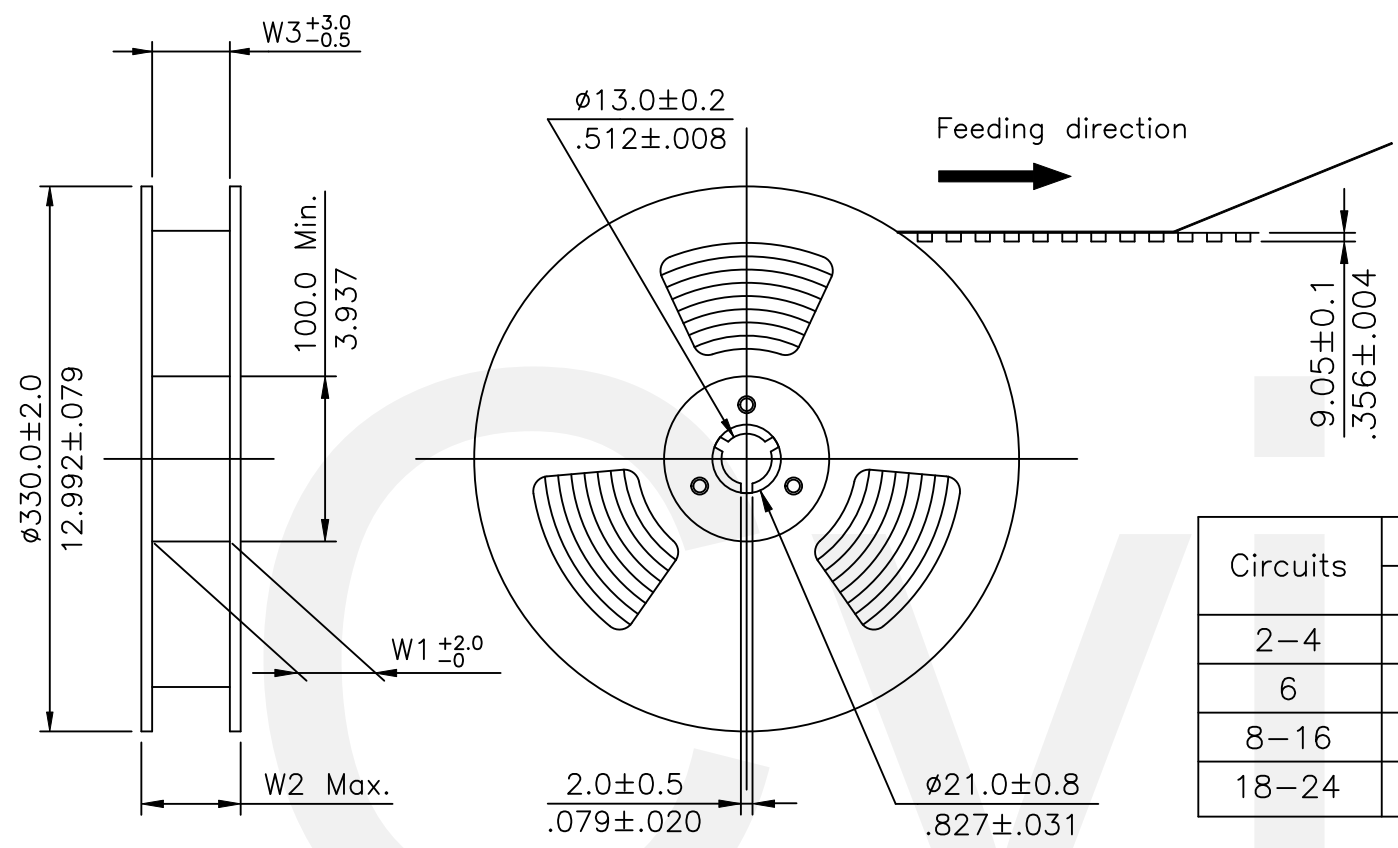
Lead Free Process

RoHS Compliant

REV	SYMBOL	NAME	DATE	REVISIONS	APPROVED BY:	DATE	UNIT: mm / inch	TITLE: 3.00mm PITCH RIGHT ANGLE SMT TYPE POWER CONN.
4								
3		Wayne	05/06-25'	ECNT125108	DRAWN BY: Wayne	05/06-25'	TOLERANCE UNLESS OTHERWISE SPECIFIED	MATERIAL:
2		Eric	3/29-21'	ECRT121017/ECNT121085	ENGINEER: Sun	05/06-25'		
1		Michelle	11/12-19'	ECRB11905/ECNT119313	CHECKED BY: Eisley	05/06-25'	.XX ± 0.20/.008 X* ±	FINISH:
SYM		NAME	DATE	REVISIONS	APPROVED BY: Eisley	05/06-25'	.XXX ± 0.10/.004 XX* ±	

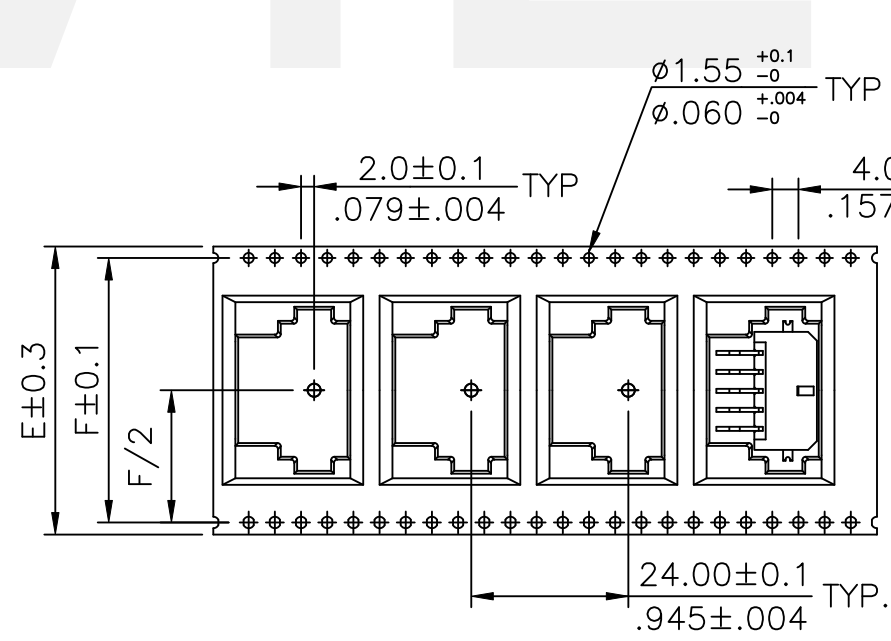
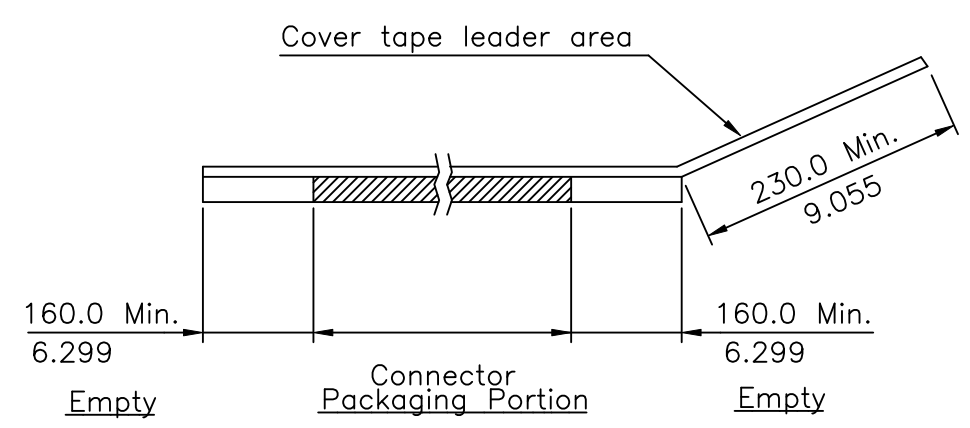


DRAWING NO.	CP35112SD	PART NO.	CP35**P*HST-NH
SCALE	3 / 1	SHEET	2 OF 3

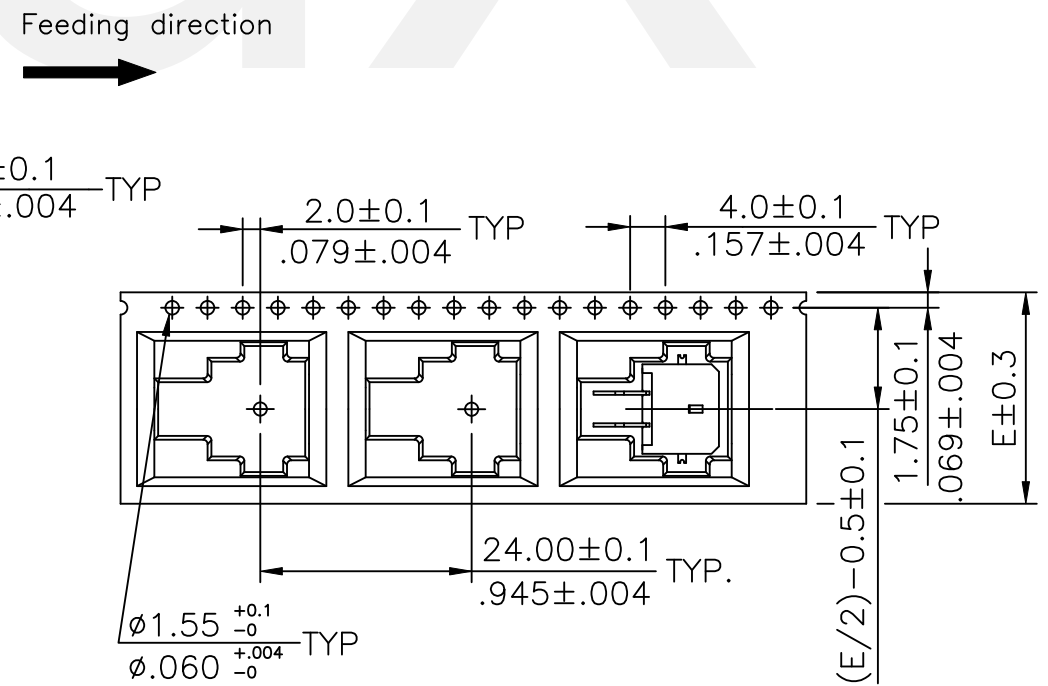


- NOTE :
- \* Reel Material : HIPS
  - \* Carrier Material : Transparent,Conductive Polystyrene Alloy
  - \* Cover Tape Material : Polyester
  - \* Cover Tape Peel Strength : 0.1N – 1.3N
  - \* Carrier camber is within 1mm in 250mm
  - \* All dimensions meet EIA-481-B requirements.
  - \* Quantity : 250 PCS/Reel

Circuits	Dimension					Packing (Reel/Carton)
	E	F	W1	W2	W3	
2-4	24.0(.945)	-	24.5(.965)	30.5(1.200)	24.5(.965)	9
6	32.0(1.260)	28.40(1.118)	32.5(1.280)	38.5(1.516)	32.5(1.280)	7
8-16	44.0(1.732)	40.40(1.596)	44.5(1.752)	50.5(1.988)	44.5(1.752)	5
18-24	56.0(2.205)	52.40(2.063)	56.5(2.224)	62.5(2.461)	56.5(2.224)	4



WIDTH : 32,44,56 mm Carrier



WIDTH : 24 mm Carrier

RoHS Compliant

SYMBOL	NAME	DATE	REVISIONS	APPROVED BY:	DATE	UNIT:	TITLE:	DRAWING NO.	PART NO.	SHEET	OF	3
4						mm / inch	3.00mm PITCH RIGHT ANGLE SMT TYPE POWER CONN.					
3	Wayne	05/06-25'	ECNT125108	DRAWN BY:	Wayne	05/06-25'	TOLERANCE UNLESS OTHERWISE SPECIFIED					
2	Eric	3/29-21'	ECRT121017/ECNT121085	ENGINEER:	Sun	05/06-25'	.X ± X' ± 1'	MATERIAL:				
1	Michelle	11/12-19'	ECRB11905/ECNT119373	CHECKED BY:	Eisley	05/06-25'	.XX ± .X' ±	FINISH:	CP35112SD	CP35**P*HST-NH		
				APPROVED BY:	Eisley	05/06-25'	.XXX ± .XX' ±					

