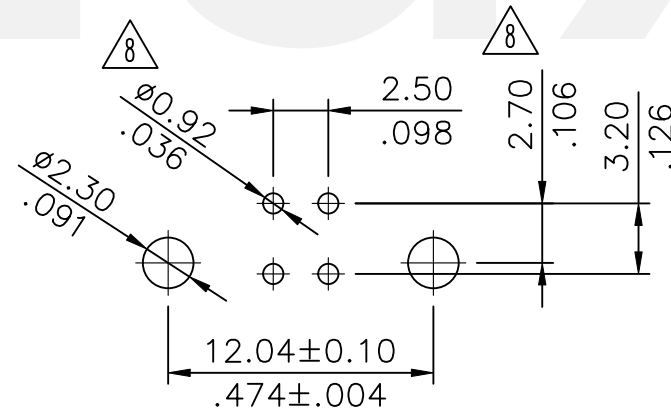
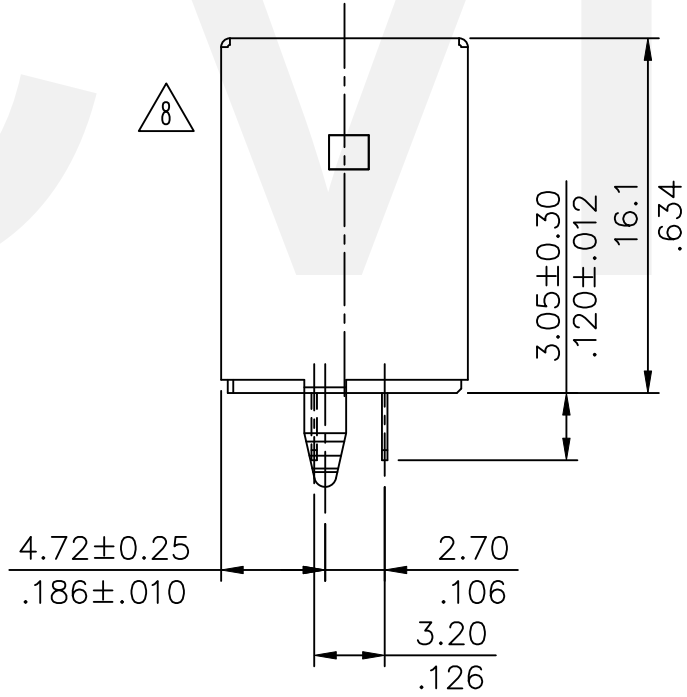
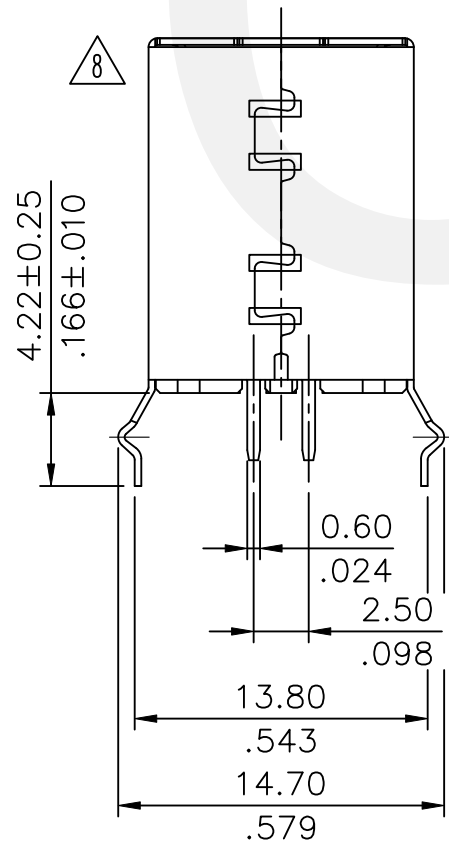


* Materials:
 Insulator: Glass filled polyester UL 94V-0
 Contact: Phosphor Bronze
 Shell: Brass with Nickel plated

Ordering Code:

CU02 S A V 1 000
 ① ② ③ ④ ⑤ ⑥


- ① Series No.
- ② S= Socket
- ③ Plating option:
 A= Selective Gold flash plated over 1.27 μ m(50 μ "") Nickel
 C= Selective 0.76 μ m(30 μ "") Gold plated over 1.27 μ m(50 μ "") Nickel
- ④ Type: V= Straight
- ⑤ Insulator Color: 1= Black, 0= White
- ⑥ Option: 000= Standard



Recommended P.C. Board Layout
 TOP VIEW(TOLERANCE:±0.05)

Lead Free Process

RoHS Compliant

⑧	Karen	8/29-23'	ECNT123177/ECRD123048		DATE	UNIT: mm / inch	TITLE: USB TYPE-B STRAIGHT RECEPTACLE CONNECTOR	 瀚荃股份有限公司 CviLux Corporation
⑦	Yushu	3/28-19'	ECRB118084/ECNT119079	DRAWN BY: Karen	9/19-23'	TOLERANCE UNLESS OTHERWISE SPECIFIED	MATERIAL:	
⑥	Karen	1/17-09'	ECN09029	ENGINEER: Sun	9/19-23'	.X ± 0.25/.010 X' ± 4'	FINISH:	
⑤	Sun	11/26-07'	ECR07090-1/ECN07486	CHECKED BY: Eisley	9/19-23'	.XX ± 0.20/.008 X' ± 2'		
SYM	NAME	DATE	REVISIONS	APPROVED BY: Eisley	9/19-23'	.XXX ± 0.10/.004 XX' ±		

CviLux Corp
 2023/09/22
 ISSUED

DRAWING NO.	CU0205SK	PART NO.	CU02S*V*000
SCALE	2 / 1	SHEET	1 OF 1