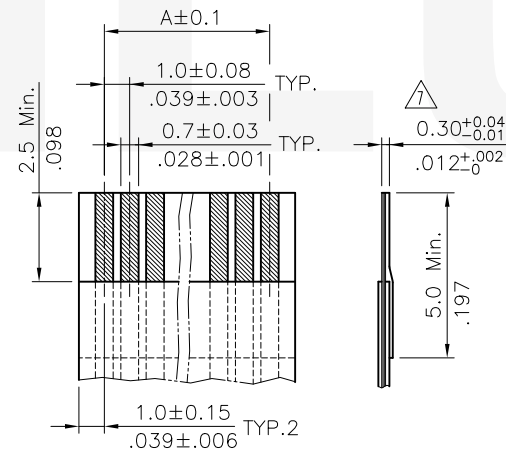
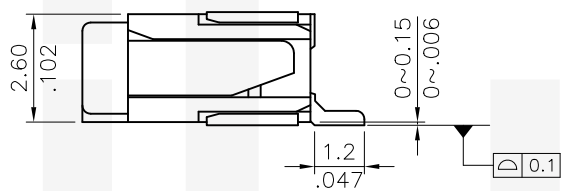
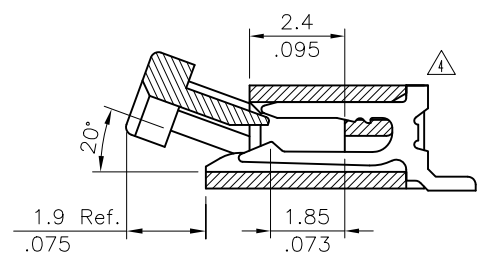
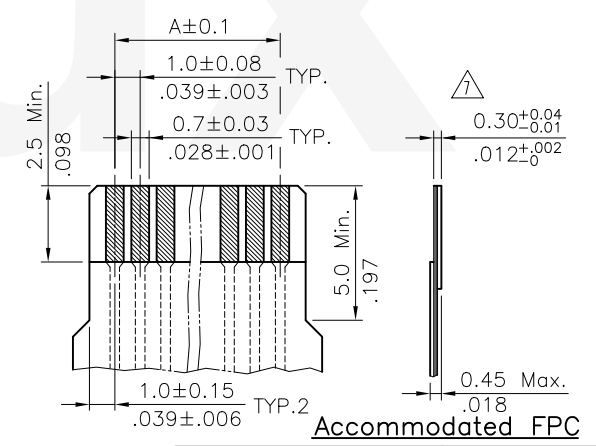


Sold Pad Pattern

A = 1.00 \* No. of Spaces  
 B = A + 8.0  
 C = A + 2.1  
 \* Available in 4 through 32 circuits



Accommodated FFC



Accommodated FPC

Material :  
 \* Body : High Temperature plastic UL 94V-0  
 \* Slider : High Temperature plastic UL 94V-0  
 Color Brown  
 \* Contact : Copper Alloy  
 \* Fixed tab : Copper Alloy with Tin plated

Ordering Code

CF07 \*\* 1 D 0 \* 0  
 ① ② ③ ④ ⑤ ⑥ ⑦

- ① Series No.
- ② No. of Circuits
- ③ Plating code:  
 1 = Tin plated over Nickel  
 2 = Gold flash plated over Nickel
- ④ Contact style: D = Downside Contact
- ⑤ Color: 0 = Nature
- ⑥ Packing options: R = Tape & Reel  
 T = Tube Packing
- ⑦ Other options: 0 = Standard

Tin-Lead Process      RoHS compliant

|     |       |           |                     |                                      |                 |   |
|-----|-------|-----------|---------------------|--------------------------------------|-----------------|---|
| ⑩   | Enya  | 10/18-13' | ECNT113069          | DATE                                 | UNIT: mm / inch | TITLE: 1.00mm(.039") ZIF FPC/FFC<br>DOWNSIDE CONTACT SURFACE<br>MOUNT CONNECTOR |
| ⑨   | Sun   | 9/10-08'  | ECR08047-2/ECN08398 | DRAWN BY: Enya                       | 10/18-13'       | MATERIAL:<br><br>FINISH:  |
| ⑧   | Sun   | 5/13-08'  | ECN08211            | ENGINEER: Sun                        | 10/22-13'       |   |
| ⑦   | Sandy | 9/17-07'  | ECN07381/ECR07065-1 | CHECKED BY: Eisley                   | 10/24-13'       |   |
| SYM | NAME  | DATE      | REVISIONS           | APPROVED BY: Eisley                  | 10/24-13'       |   |
|     |       |           |                     | TOLERANCE UNLESS OTHERWISE SPECIFIED |                 |   |
|     |       |           |                     | .X ± 0.15/.006    X' ± 1'            |                 |   |
|     |       |           |                     | .XX ± 0.10/.004    .X' ±             |                 |   |
|     |       |           |                     | .XXX ± 0.05/.002    .XX' ±           |                 |   |

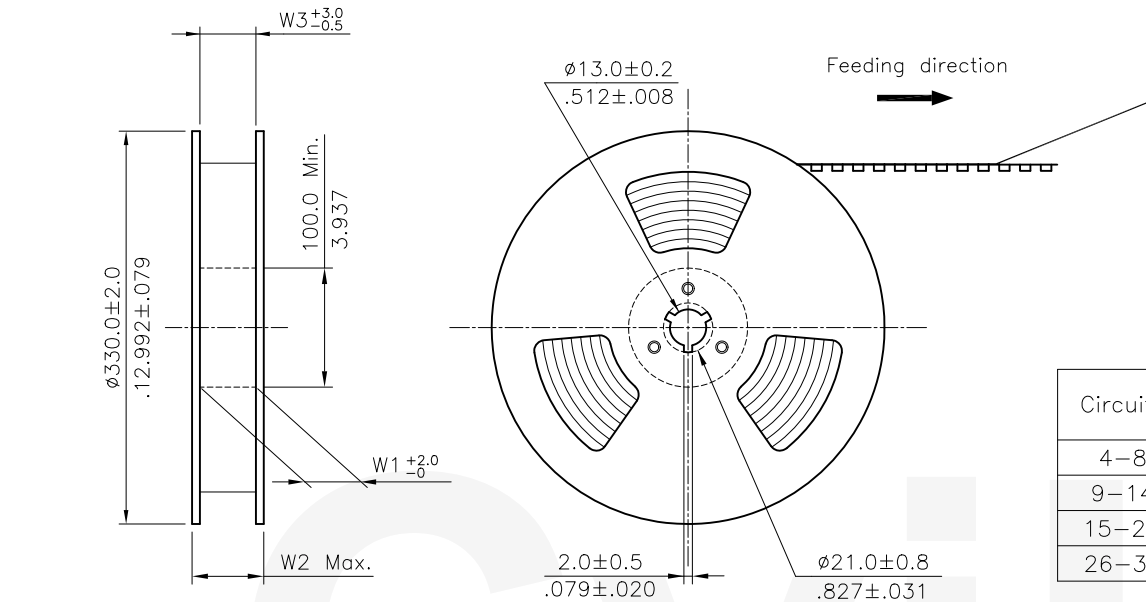
CVILUX CORP  
 2013.11.07  
 ISSUED

瀚荃股份有限公司  
 CviLux Corporation

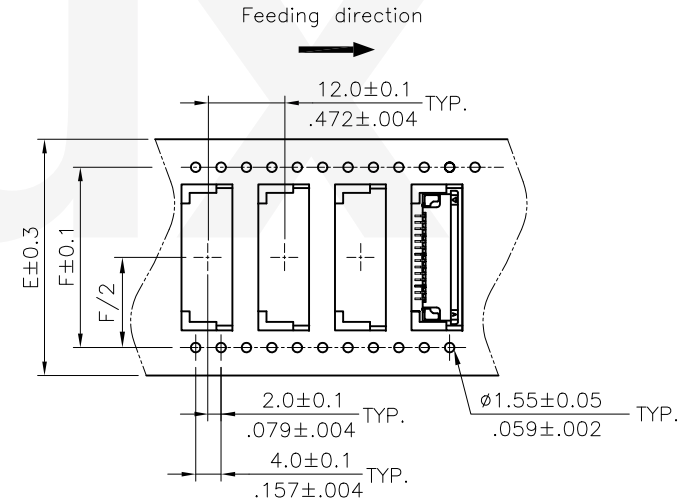
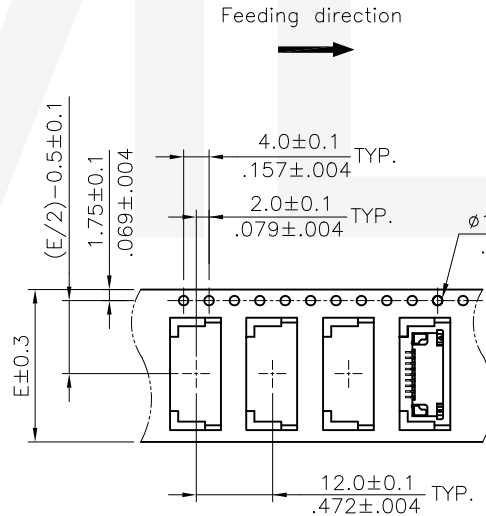
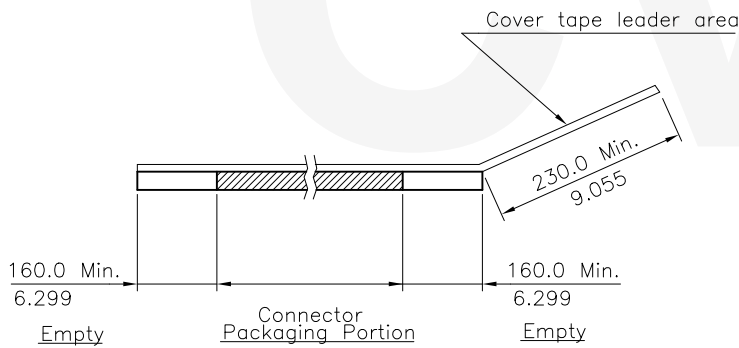
|             |          |          |             |
|-------------|----------|----------|-------------|
| DRAWING NO. | CF0701SP | PART NO. | CF07***D0*0 |
| SCALE       | 5 / 1    | SHEET    | 1 OF 2      |

NOTE :

1. 10 sprocket hole pitch cumulative tolerance  $\pm 0.20$
2. Carrier camber is within 1 mm in 100 mm .
3. Material : Transparent Conductive Polystyrene Alloy (UP-5000) 100% recyclable.
4. All dimensions meet EIA-481-3 requirements.
5. Thickness :  $0.33 \pm 0.03$  mm.
6. Packing length per 22" reel : 75.0 Meters.
7. Component load per 13" reel : 2000 pcs.




| Circuits | Dimension   |              |             |             |             |
|----------|-------------|--------------|-------------|-------------|-------------|
|          | E           | F            | W1          | W2          | W3          |
| 4-8      | 24.0(.945)  | -            | 24.5(.965)  | 30.5(1.201) | 24.5(.965)  |
| 9-14     | 32.0(1.260) | 28.40(1.118) | 32.5(1.280) | 38.5(1.516) | 32.5(1.280) |
| 15-25    | 44.0(1.732) | 40.40(1.596) | 44.5(1.752) | 50.5(1.988) | 44.5(1.752) |
| 26-32    | 56.0(2.205) | 52.40(2.062) | 56.5(2.224) | 62.5(2.460) | 56.5(2.224) |



WIDTH : 24 mm Carrier

WIDTH : 32,44,56 mm Carrier

RoHS Compliant

| SYM | NAME  | DATE      | REVISIONS           | APPROVED BY:        | DATE      | UNIT: mm / inch                      | TITLE: 1.00mm(.039") ZIF FPC/FFC DOWNSIDE CONTACT SURFACE MOUNT CONNECTOR |  瀚荃股份有限公司<br>CviLux Corporation |          |          |             |
|-----|-------|-----------|---------------------|---------------------|-----------|--------------------------------------|---|--|----------|----------|-------------|
| △10 | Enya  | 10/18-13' | ECNT113069          |                     | DATE      | UNIT: mm / inch                      | MATERIAL:   | DRAWING NO.  | CF0701SP | PART NO. | CF07***D0*0 |
| △9  | Sun   | 9/10-08'  | ECR08047-2/ECN08398 | DRAWN BY: Enya      | 10/18-13' | TOLERANCE UNLESS OTHERWISE SPECIFIED |   | FINISH:  | SCALE    |          | SHEET       |
| △8  | Sun   | 5/13-08'  | ECN08211            | ENGINEER: Sun       | 10/22-13' | .X ±                                 |   |  |          |          |             |
| △7  | Sandy | 9/17-07'  | ECN07381/ECR07065-1 | CHECKED BY: Eisley  | 10/24-13' | .XX ±                                |   |  |          |          |             |
|     |       |           |                     | APPROVED BY: Eisley | 10/24-13' | .XXX ±                               |   |  |          |          |             |

CVILUX CORP  
 2013.11.07  
 ISSUED