

Notes :

- * Body : High Temperature plastic UL 94V-0, Color Nature
- * Slider : High Temperature plastic UL 94V-0, Color Black
- * Contact : Copper Alloy with Matte Tin plated
- * Fixed tab : Copper Alloy with Matte Tin plated
- * For Lead-Free IR Reflow process

Ordering Code

CF07 ** * D 0 * 0 -NH
 ① ② ③ ④ ⑤ ⑥ ⑦ ⑧

① Series No.

② No. of Circuits

③ Plating code:

1= Matte Tin plated over Nickel

2= Gold flash plated over Nickel

④ Contact style: D= Downside Contact

⑤ Color: 0= Nature

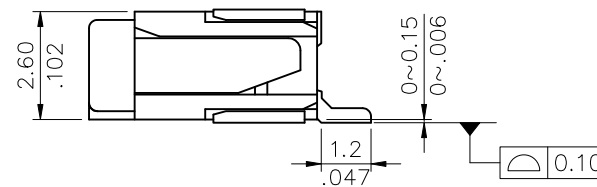
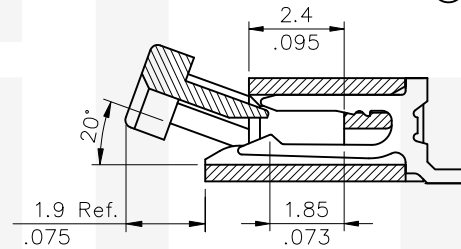
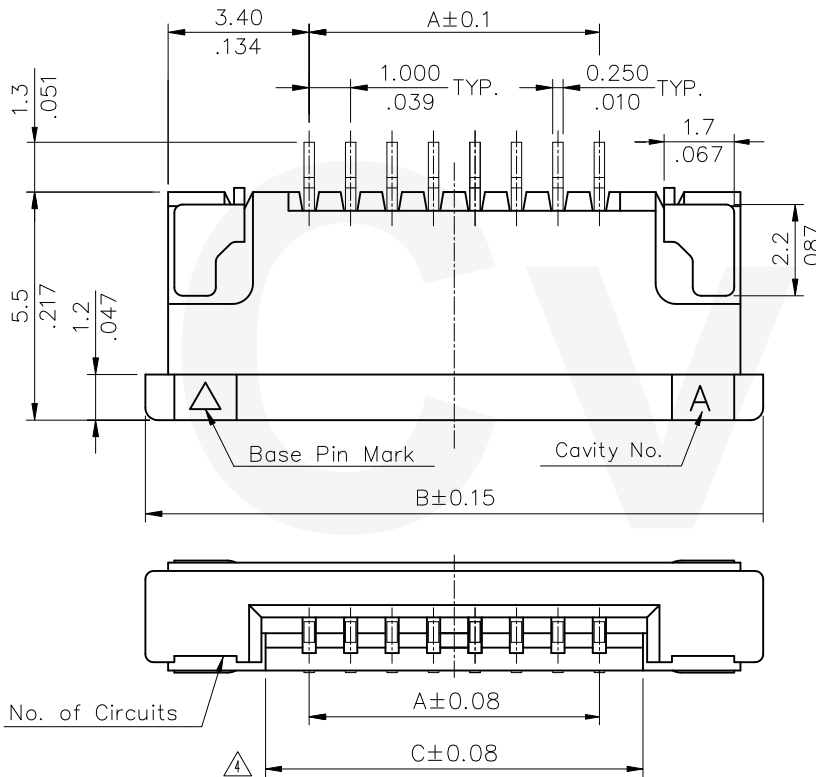
⑥ Packing options: R= Tape & Reel

T= Tube Packing

⑦ Other options: 0= Standard

⑧ Process options:

-NH= For Lead Free IR Processes and Halogen-Free



A = 1.00 * No. of Spaces

B = A + 8.0

C = A + 2.1

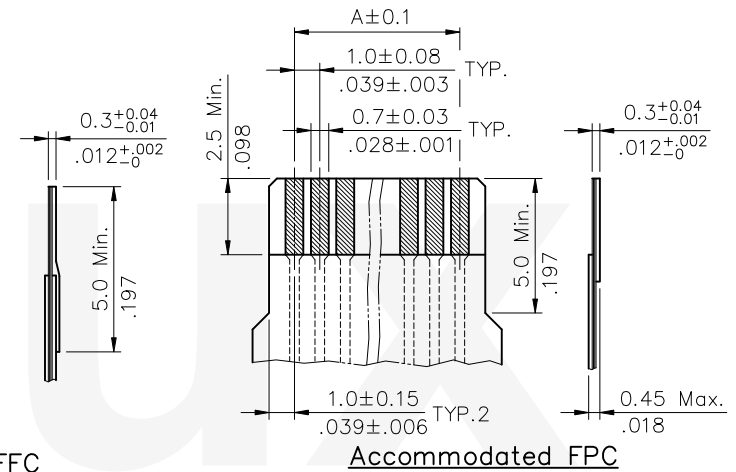
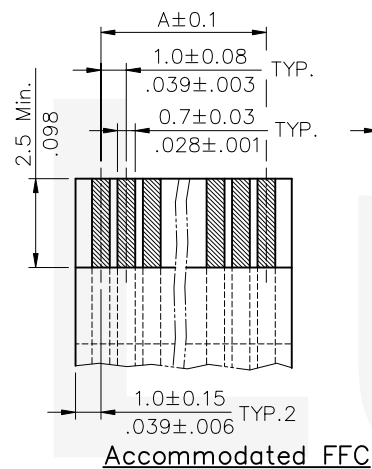
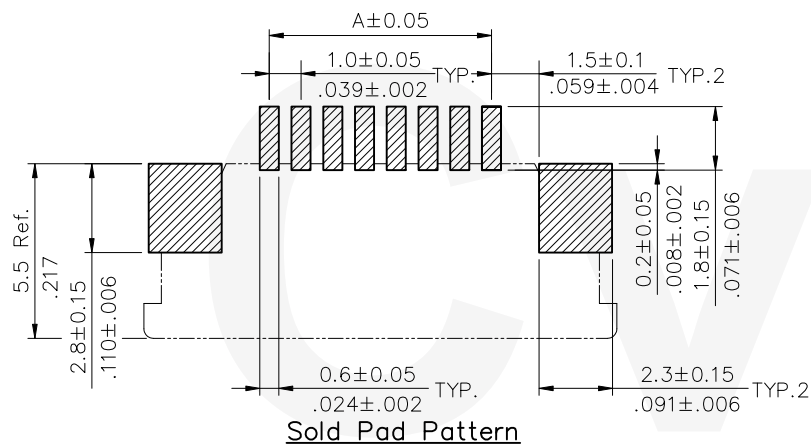
△ * Available in 4 through 32 circuits

Halogen-Free

Lead Free Process

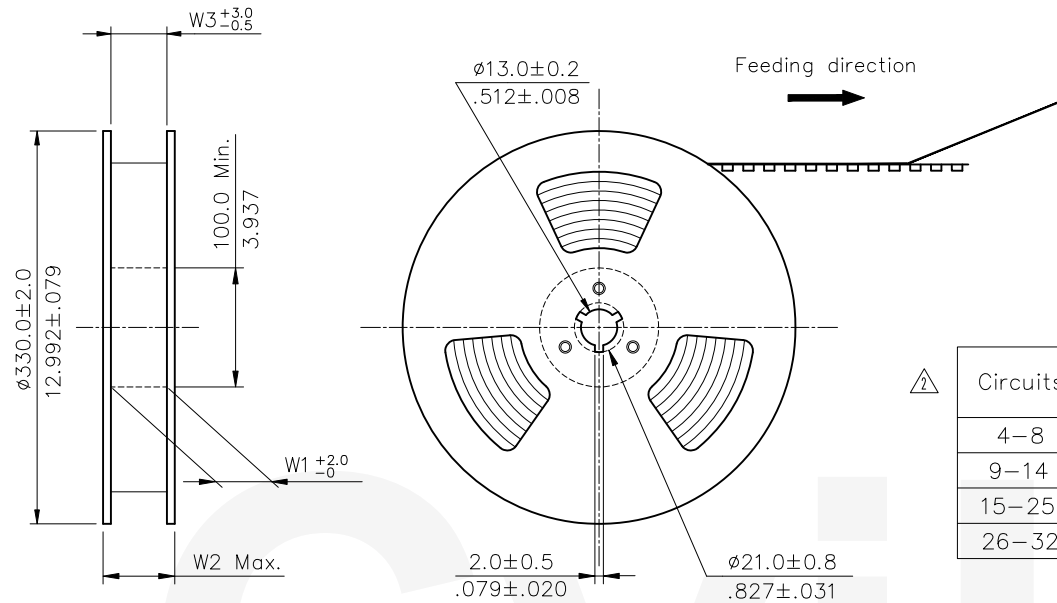
RoHS Compliant

④	Sun	11/8-18'	ECNT118257			DATE	UNIT: mm / inch	TITLE: 1.00mm(.039") ZIF FPC/FFC DOWNSIDE CONTACT SURFACE MOUNT CONNECTOR	 瀚荃股份有限公司 CviLux Corporation
③	Enya	10/18-13'	ECNT113069		DRAWN BY: Sun	11/8-18'	TOLERANCE UNLESS OTHERWISE SPECIFIED		
②	Una	8/17-11'	ECN1184		ENGINEER: Sun	11/8-18'	.X ± 0.15/.006 X' ± 1'	FINISH:	
①	Sun	9/10-08'	ECR08047-2/ECN08398		CHECKED BY: Eisley	11/14-18'	.XX ± 0.10/.004 .X' ±	DRAWING NO. CF0732SE PART NO. CF07***D0*0-NH	
SYM	NAME	DATE	REVISIONS		APPROVED BY: Eisley	11/14-18'	.XXX ± 0.05/.002 .XX' ±	SCALE 5 / 1 SHEET 1 OF 3	



Halogen-Free Lead Free Process RoHS compliant

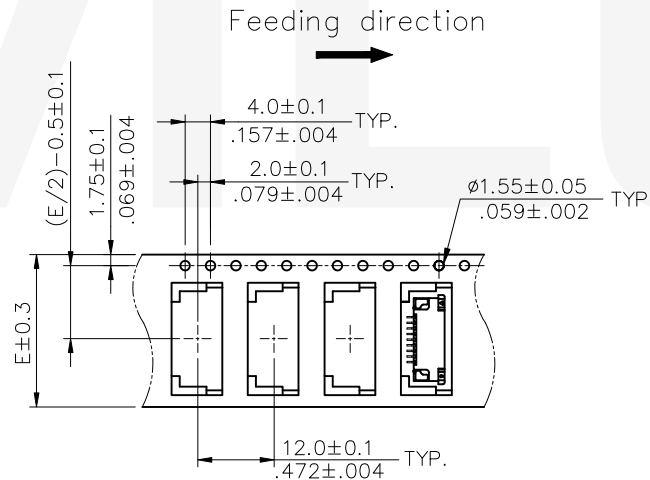
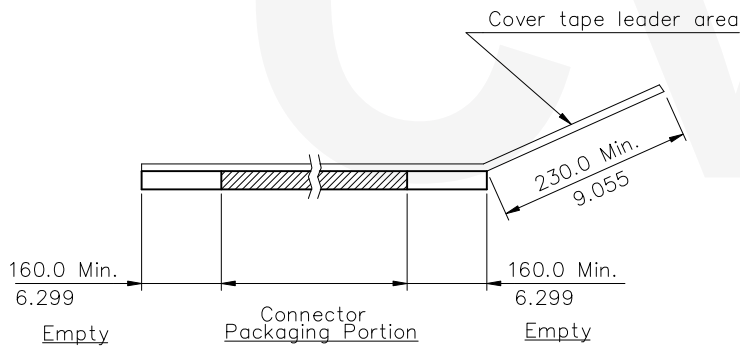
	Sun	11/8-18'	ECNT118257		DRAWN BY: Sun ENGINEER: Sun CHECKED BY: Eisley APPROVED BY: Eisley	DATE	11/8-18'	UNIT: mm / inch TOLERANCE UNLESS OTHERWISE SPECIFIED .X ± .X' ± 1" .XX ± .X' ± .XXX ± .XX' ±	TITLE: 1.00mm(.039") ZIF FPC/FFC DOWNSIDE CONTACT SURFACE MOUNT CONNECTOR	瀚荃股份有限公司 CviLux Corporation	MATERIAL: FINISH:	DRAWING NO.	CF0732SE	PART NO.	CF07***D0*0-NH
	Enya	10/18-13'	ECNT113069			DATE	11/8-18'					DRAWING NO.	CF0732SE	PART NO.	CF07***D0*0-NH
	Una	8/17-11'	ECN11184			DATE	11/8-18'					DRAWING NO.	CF0732SE	PART NO.	CF07***D0*0-NH
	Sun	9/10-08'	ECR08047-2/ECN08398			DATE	11/14-18'					DRAWING NO.	CF0732SE	PART NO.	CF07***D0*0-NH
SYM	NAME	DATE	REVISIONS			SCALE		SHEET	2 OF 3						



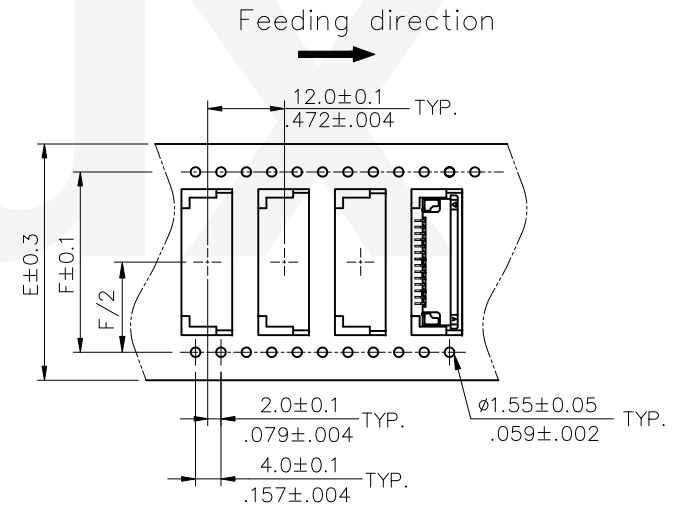
NOTE :

1. 10 sprocket hole pitch cumulative tolerance ± 0.20
2. Carrier camber is within 1 mm in 100 mm .
- △ 3. Material : Transparent Conductive Polystyrene Alloy (UP-5000)100% recyclable.
4. All dimensions meet EIA-481-3 requirements.
5. Thickness : 0.33 ± 0.03 mm.
- 6 Packing length per 22" reel : 75.0 Meters.
7. Component load per 13" reel : 2000 pcs.

Circuits	Dimension				
	E	F	W1	W2	W3
4-8	24.0(.945)	-	24.5(.965)	30.5(1.201)	24.5(.965)
9-14	32.0(1.260)	28.40(1.118)	32.5(1.280)	38.5(1.516)	32.5(1.280)
15-25	44.0(1.732)	40.40(1.596)	44.5(1.752)	50.5(1.988)	44.5(1.752)
26-32	56.0(2.205)	52.40(2.062)	56.5(2.224)	62.5(2.460)	56.5(2.224)



△ WIDTH : 24 mm Carrier



WIDTH : 32,44,56 mm Carrier

RoHS Compliant

SYMBOL	NAME	DATE	REVISIONS	APPROVED BY:	DATE	UNIT: mm / inch	TITLE: 1.00mm(.039") ZIF FPC/FFC DOWNSIDE CONTACT SURFACE MOUNT CONNECTOR	MATERIAL:	DRAWING NO. CF0732SE PART NO. CF07***D0*0-NH
△ 4	Sun	11/8-18'	ECNT118257		DATE	UNIT: mm / inch	TITLE: 1.00mm(.039") ZIF FPC/FFC DOWNSIDE CONTACT SURFACE MOUNT CONNECTOR		
△ 3	Enya	10/18-13'	ECNT113069		DRAWN BY: Sun	11/8-18'	TOLERANCE UNLESS OTHERWISE SPECIFIED	MATERIAL:	
△ 2	Una	8/17-11'	ECN11184		ENGINEER: Sun	11/8-18'	.X ± .X' ± 1'	FINISH:	
△ 1	Sun	9/10-08'	ECR08047-2/ECN08398		CHECKED BY: Eisley	11/14-18'	.XX ± .X' ±		
SYM	NAME	DATE	REVISIONS	APPROVED BY: Eisley	11/14-18'	.XXX ± .XX' ±		SCALE	SHEET 3 OF 3

瀚荃股份有限公司
CviLux Corporation