

A = 1.00 * No. of Spaces

B = A + 8.0

C = A + 2.1

* Available in 4 through 32 circuits

Material :

* Body : High Temperature plastic UL94V-0
 △* Slider : High Temperature plastic UL94V-0
 Color Black

* Contact : Copper Alloy

* Fixed tab : Copper Alloy with Tin plated

Ordering Code

CF07 ** * U 0 * 0 -NH
 ① ② ③ ④ ⑤ ⑥ ⑦ ⑧

① Series No.

② No. of Circuits

③ Plating code:

1= Tin plated over Nickel

2= Gold flash plated over Nickel

④ Contact style: U= Upside Contact

⑤ Color: 0= Nature

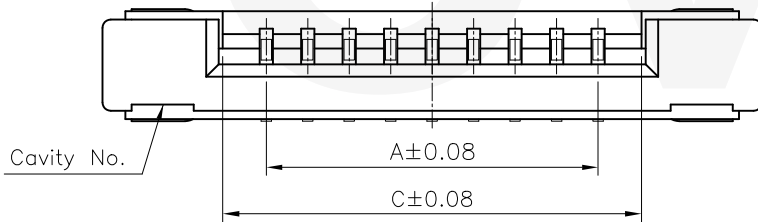
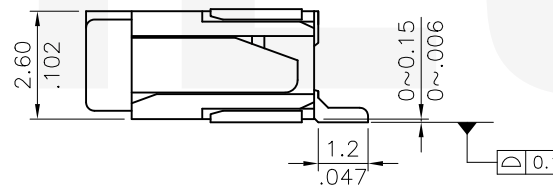
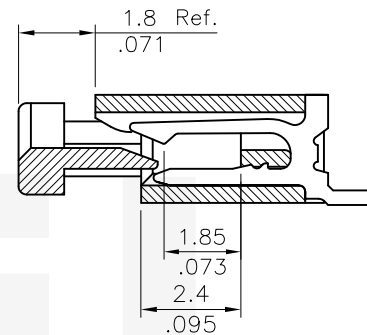
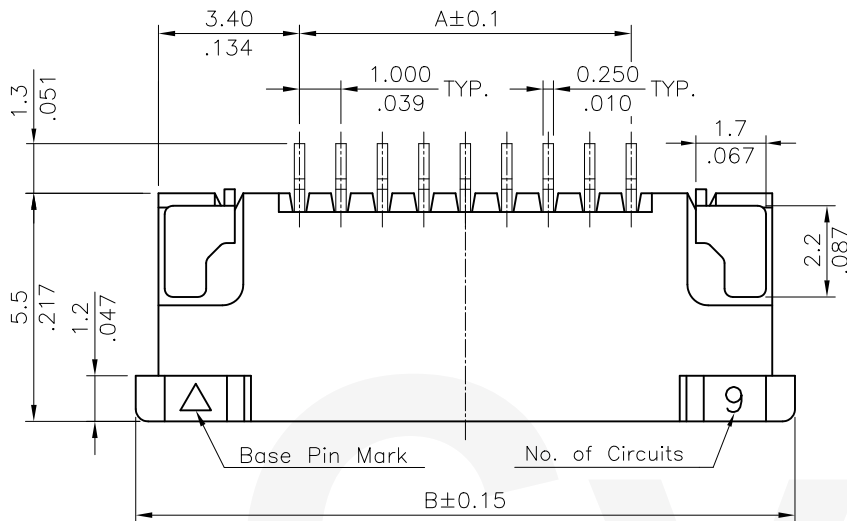
⑥ Packing options: R= Tape & Reel

T= Tube Packing

⑦ Other options: 0= Standard

⑧ Other options:



-NH= For Lead Free IR Processes and Halogen-Free

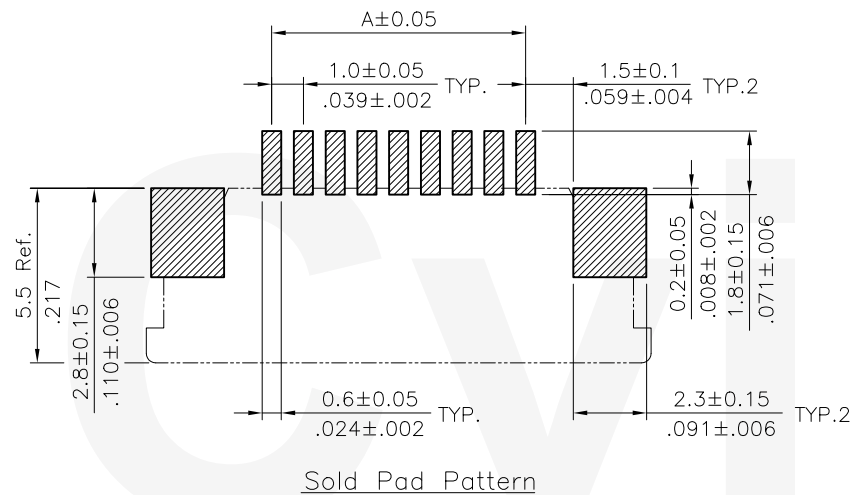


Halogen-Free

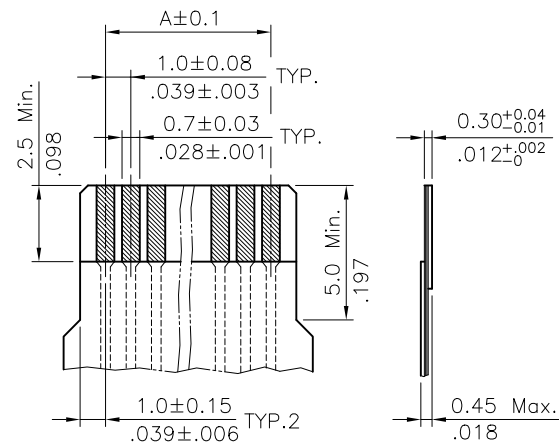
Lead Free Process

RoHS Compliant

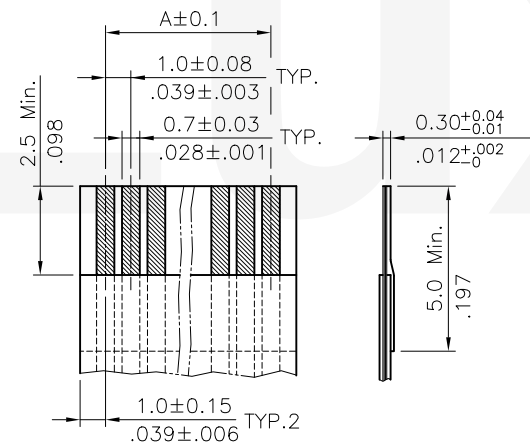
△4					DATE	UNIT: mm / inch	TITLE: 1.00mm(.039") ZIF FPC/FFC UPSIDE CONTACT SURFACE MOUNT CONNECTOR	 瀚荃股份有限公司 CviLux Corporation	
△3					DRAWN BY: Enya 10/18-13'	TOLERANCE UNLESS OTHERWISE SPECIFIED	MATERIAL:		
△2	Enya	10/18-13'	ECNT113069		ENGINEER: Sun 10/22-13'	.X ± 0.15/.006 X' ± 1'	FINISH:	DRAWING NO. CF0733SC PART NO. CF07***U0*0-NH	
△1	Sandy	8/15-11'	ECN11181		CHECKED BY: Eisley 10/24-13'	.XX ± 0.10/.004 X' ±		SCALE 5 / 1	SHEET 1 OF 3
SYM	NAME	DATE	REVISIONS		APPROVED BY: Eisley 10/24-13'	.XXX ± 0.05/.002 XX' ±			



Sold Pad Pattern




Accommodated FPC



Accommodated FFC

RoHS Compliant

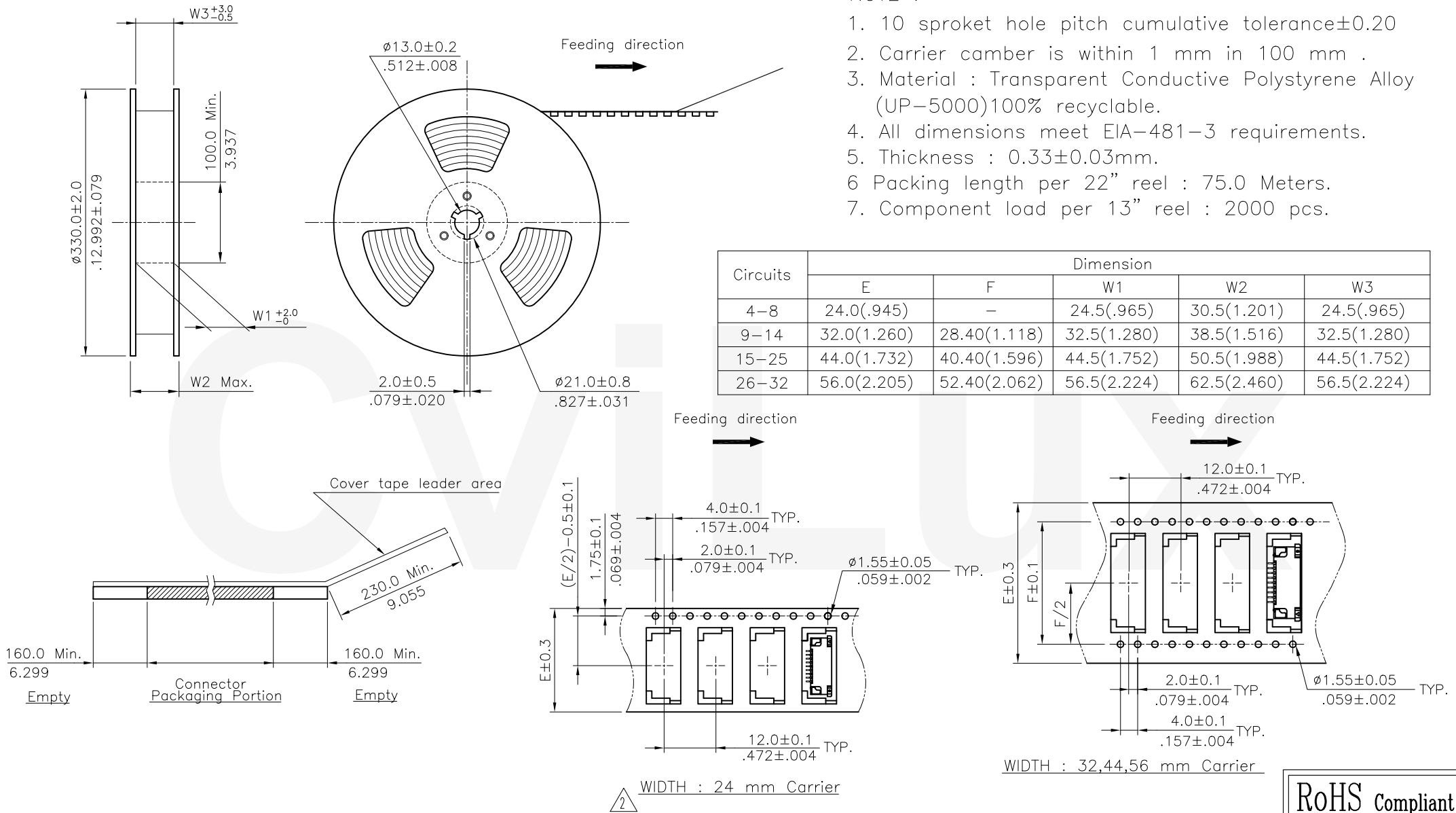
4					DATE	UNIT: mm / inch	TITLE: 1.00mm(.039") ZIF FPC/FFC UPSIDE CONTACT SURFACE MOUNT CONNECTOR	 瀚荃股份有限公司 CviLux Corporation	
3				DRAWN BY: Enya	10/18-13'	TOLERANCE UNLESS OTHERWISE SPECIFIED	MATERIAL:		
2	Enya	10/18-13'	ECNT113069	ENGINEER: Sun	10/22-13'	.X ± 0.15/.006 X' ± 1'	FINISH:	DRAWING NO. CF0733SC	PART NO. CF07***U0*0-NH
1	Sandy	8/15-11'	ECN11181	CHECKED BY: Eisley	10/24-13'	.XX ± 0.10/.004 X' ±		SCALE	5 / 1
SYM	NAME	DATE	REVISIONS	APPROVED BY: Eisley	10/24-13'	.XXX ± 0.05/.002 X' ±			





 2013.11.07
 ISSUED

NOTE :

1. 10 sprocket hole pitch cumulative tolerance ± 0.20
2. Carrier camber is within 1 mm in 100 mm .
3. Material : Transparent Conductive Polystyrene Alloy (UP-5000) 100% recyclable.
4. All dimensions meet EIA-481-3 requirements.
5. Thickness : 0.33 ± 0.03 mm.
6. Packing length per 22" reel : 75.0 Meters.
7. Component load per 13" reel : 2000 pcs.



RoHS Compliant

4					DATE	UNIT: mm / inch	TITLE: 1.00mm(.039") ZIF FPC/FFC UPSIDE CONTACT SURFACE MOUNT CONNECTOR	 瀚荃股份有限公司 CviLux Corporation	
3					DRAWN BY: Enya	10/18-13'	TOLERANCE UNLESS OTHERWISE SPECIFIED		
2	Enya	10/18-13'	ECNT113069		ENGINEER: Sun	10/22-13'	MATERIAL:	DRAWING NO. CF07033SC	PART NO. CF07***U0*0-NH
1	Sandy	8/15-11'	ECN11181		CHECKED BY: Eisley	10/24-13'	FINISH:	SCALE	SHEET 3 OF 3
SYM	NAME	DATE	REVISIONS		APPROVED BY: Eisley	10/24-13'			