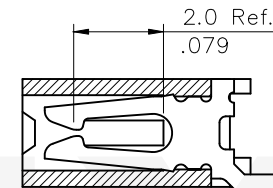
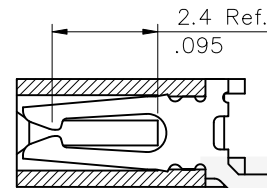


A-A SEC.

B-B SEC.

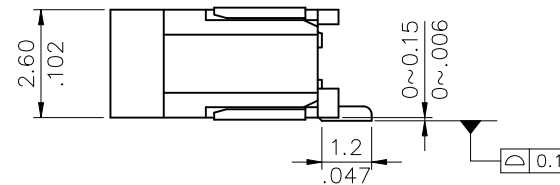
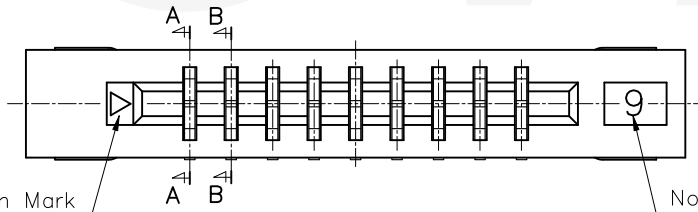
(Available in 4 through 8 circuits)



A-A SEC.

B-B SEC.

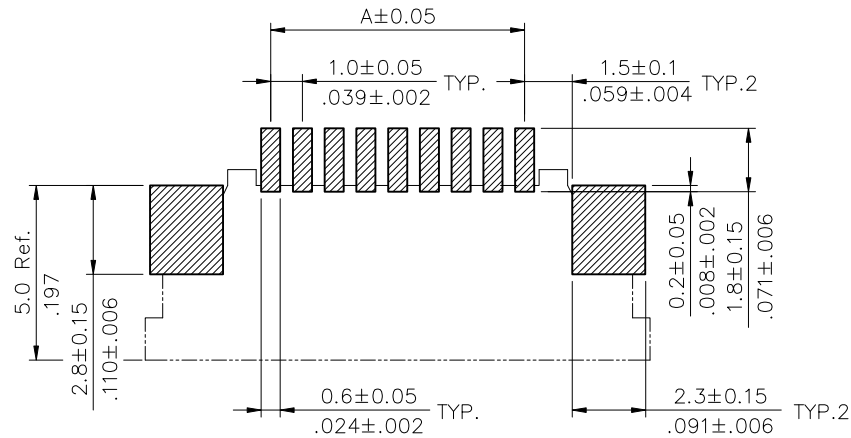
(Available in 9 through 32 circuits)



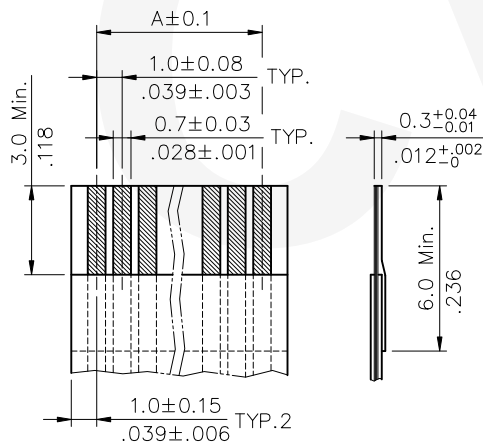
Tin-Lead Process

RoHS Compliant

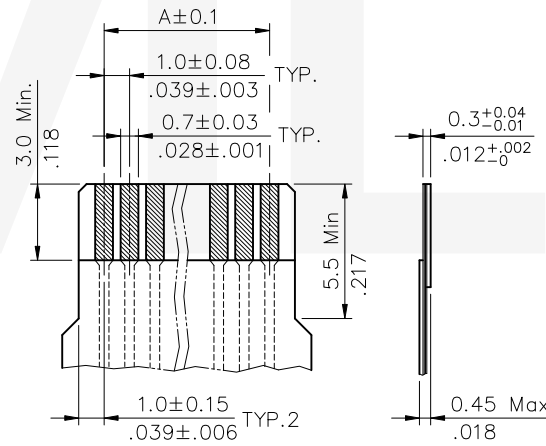
13	Sandy	7/16-19'	ECNT119181/ECRB119048			DATE	UNIT: mm / inch	TITLE: 1.00mm(.039") LIF FPC/FFC SURFACE MOUNT CONNECTOR		 瀚荃股份有限公司 CviLux Corporation	DRAWING NO.	CF0801SR	PART NO.	CF08**1H2*0	
12	Enya	10/18-13'	ECNT113069		DRAWN BY:	Sandy	7/16-19'	TOLERANCE UNLESS OTHERWISE SPECIFIED			MATERIAL:	SCALE	5 / 1	SHEET	1 OF 3
11	Sun	6/13-11'	ECR10022-1/ECN11127		ENGINEER:	Sun	7/17-19'	.X ± 0.15/.006	.X' ± 1'		FINISH:				
10	Sandy	8/28-08'	ECN08417		CHECKED BY:	Eisley	7/19-19'	.XX ± 0.10/.004	.X' ±						
SYM	NAME	DATE	REVISIONS		APPROVED BY:	Eisley	7/19-19'	.XXX ± 0.05/.002	.XX' ±						



Sold Pad Pattern



Accommodated FFC



Accommodated FPC

Material :

- * Body : Glass Filled Nylon 6T UL 94V-0
- * Contact : Phosphor Bronze
- * Fixed tab : Brass

Ordering Code

CF08 ** 1 H 2 * 0
 ① ② ③ ④ ⑤ ⑥ ⑦

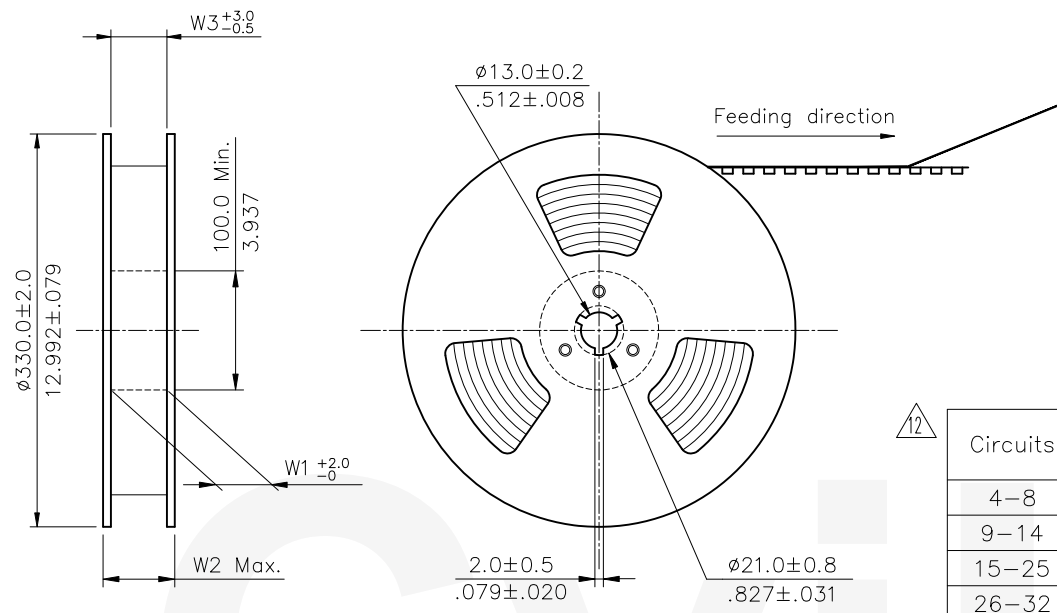
- ① Series No.
- ② No. of Circuits
- ③ Plating code:
1 = Tin plated over Nickel
- ④ Contact style: H = Side entry
- ⑤ Color: 2 = Brown
- ⑥ Packing options: R = Tape & Reel
T = Tube packing
- ⑦ Other options: 0 = Standard

A = 1.00 * No. of Spaces
 B = A + 8.0
 C = A + 2.1

* Available in 4 through 32 circuits

RoHS Compliant

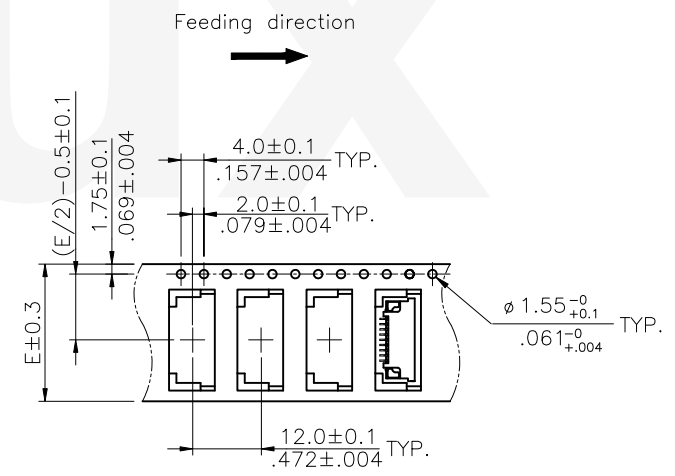
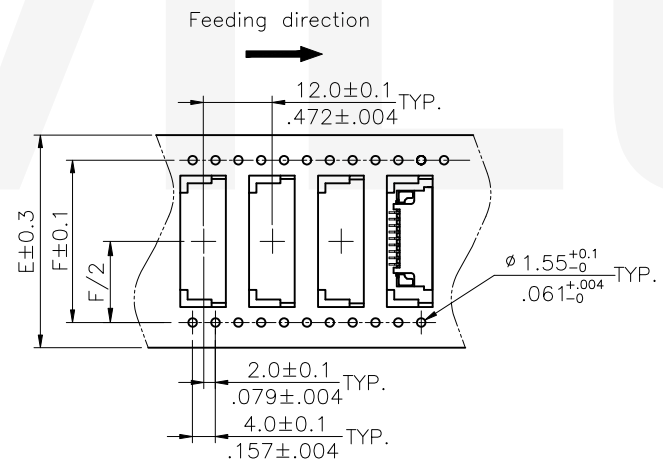
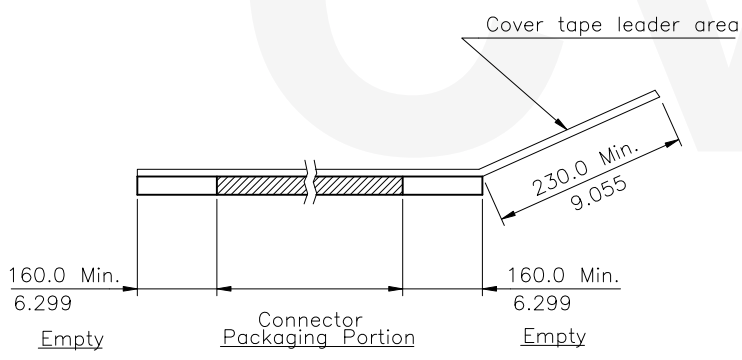
△13	Sandy	7/16-19'	ECNT119181/ECRB119048		DATE	UNIT: mm / inch	TITLE: 1.00mm(.039") LIF FPC/FFC SURFACE MOUNT CONNECTOR	 瀚荃股份有限公司 CviLux Corporation			
△12	Enya	10/18-13'	ECNT113069		DRAWN BY: Sandy	7/16-19'	TOLERANCE UNLESS OTHERWISE SPECIFIED		MATERIAL:		
△11	Sun	6/13-11'	ECR10022-1/ECN11127		ENGINEER: Sun	7/17-19'	.X ± 0.15/.006 X' ± 1'				
△10	Sandy	8/28-08'	ECN08417		CHECKED BY: Eisley	7/19-19'	.XX ± 0.10/.004 X' ±	FINISH:			
SYM	NAME	DATE	REVISIONS		APPROVED BY: Eisley	7/19-19'	.XXX ± 0.05/.002 XX' ±	DRAWING NO. CF0801SR	PART NO. CF08**1H2*0		
								SCALE	5 / 1	SHEET	2 OF 3



NOTE :

- * Reel Material : HIPS or Corrugated Paper
- * Carrier Material : Clear Conductive Polystyrene Alloy
- * Cover Tape Material : Polyester
- * Cover Tape Peel Strength : 0.1N – 1.3N
- * Carrier camber is within 1mm in 100mm
- * All dimensions meet EIA-481-2 & EIA-481-3 requirements.
- * Quantity : 2000 PCS/Reel

Circuits	Dimension					Packing (Reel/Carton)
	E	F	W1	W2	W3	
4-8	24.0(.945)	-	24.5(.965)	30.5(1.201)	24.5(.965)	9
9-14	32.0(1.260)	28.40(1.118)	32.5(1.280)	38.5(1.516)	32.5(1.280)	7
15-25	44.0(1.732)	40.40(1.591)	44.5(1.752)	50.5(1.988)	44.5(1.752)	5
26-32	56.0(2.205)	52.40(2.063)	56.5(2.224)	62.5(2.460)	56.5(2.224)	4



WIDTH : 32,44,56 mm Carrier

WIDTH : 24 mm Carrier

RoHS Compliant

SYM	NAME	DATE	REVISIONS	APPROVED BY:	DATE	UNIT: mm / inch	TITLE: 1.00mm(.039") LIF FPC/FFC SURFACE MOUNT CONNECTOR	瀚荃股份有限公司 CviLux Corporation					
△3	Sandy	7/16-19'	ECNT119181/ECRB119048	CVILUX CORP 2019.07.25 ISSUED	DATE	UNIT: mm / inch	MATERIAL:	DRAWING NO. CF0801SR	PART NO. CF08**1H2*0	SCALE	SHEET 3 OF 3		
△2	Enya	10/18-13'	ECNT113069		DRAWN BY: Sandy	7/16-19'						TOLERANCE UNLESS OTHERWISE SPECIFIED	FINISH:
△1	Sun	6/13-11'	ECR10022-1/ECN11127		ENGINEER: Sun	7/17-19'						.X ± X' ± 1'	
△10	Sandy	8/28-08'	ECN08417	CHECKED BY: Eisley	7/19-19'	.XX ± X ±							
△10	Sandy	8/28-08'	ECN08417	APPROVED BY: Eisley	7/19-19'	.XXX ± XX ±							