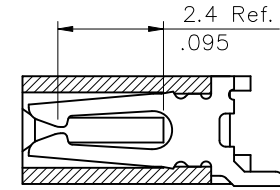
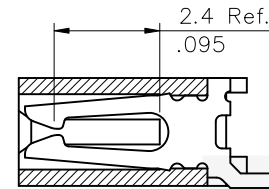


A-A SEC.

(Available in 4 through 8 circuits)

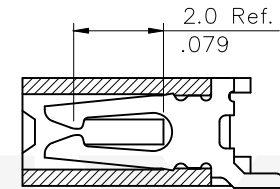


B-B SEC.

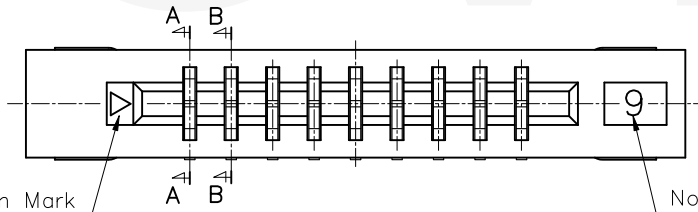


A-A SEC.

(Available in 9 through 32 circuits)

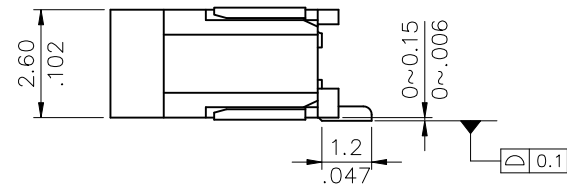


B-B SEC.



Base Pin Mark

No. of Circuits

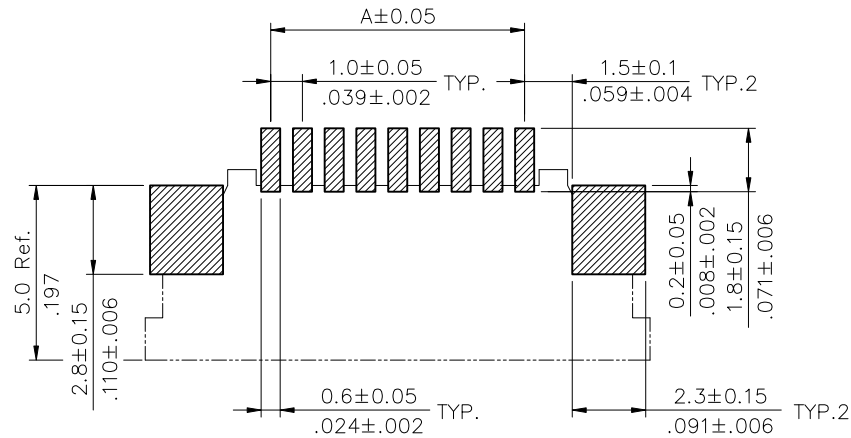


Halogen-Free

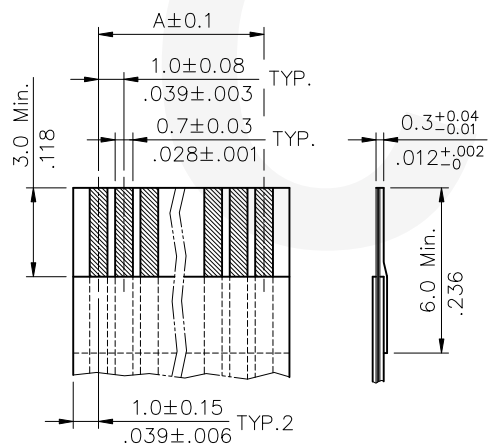
Lead Free Process

RoHS Compliant

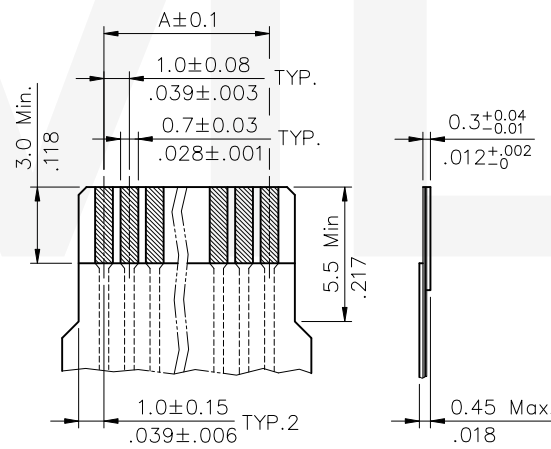
4						DATE	UNIT: mm / inch	TITLE: 1.00mm(.039") LIF FPC/FFC SURFACE MOUNT CONNECTOR		 瀚荃股份有限公司 CviLux Corporation	DRAWING NO. CF0822SC		PART NO. CF08**1H2*0-NH	
3			DRAWN BY: Sandy		7/16-19'	TOLERANCE UNLESS OTHERWISE SPECIFIED	MATERIAL:		SCALE 5 / 1		SHEET 1 OF 3			
2	Sandy	7/16-19'	ECNT119181/ECRB119048		ENGINEER: Sun	7/17-19'	.X ± 0.15/.006	.X' ± 1'	FINISH:					
1	Enya	10/18-13'	ECNT113069		CHECKED BY: Eisley	7/19-19'	.XX ± 0.10/.004	.X' ±						
SYM	NAME	DATE	REVISIONS		APPROVED BY: Eisley	7/19-19'	.XXX ± 0.05/.002	.XX' ±						



Sold Pad Pattern



Accommodated FFC



Accommodated FPC

Note:

- * Body : High Temperature glass filled polyamide UL 94V-0
- * Contact : Phosphor Bronze
- * Fixed tab : Brass with Matte Tin plated
- * For Lead Free IR Reflow Process

Ordering Code

CF08 ** 1 H 2 * 0 -NH
 ① ② ③ ④ ⑤ ⑥ ⑦ ⑧

- ① Series No.
- ② No. of Circuits
- ③ Plating code:
1 = Matte Tin plated over Nickel
- ④ Contact style: H = Side entry
- ⑤ Color: 2 = Brown
- ⑥ Packing options: R = Tape & Reel
T = Tube packing
- ⑦ Other options: 0 = Standard
- ⑧ Process options:
-NH = For Lead Free IR Process and Halogen-Free

A = 1.00 * No. of Spaces

B = A + 8.0

C = A + 2.1

* Available in 4 through 32 circuits

Lead Free Process

Halogen-Free

RoHS compliant



瀚荃股份有限公司
CviLux Corporation

④						DATE	UNIT: mm / inch	TITLE: 1.00mm(.039") LIF FPC/FFC SURFACE MOUNT CONNECTOR
③						DRAWN BY: Sandy	7/16-19'	MATERIAL:
②	Sandy	7/16-19'	ECNT119181/ECRB119048		ENGINEER: Sun	7/17-19'	TOLERANCE UNLESS OTHERWISE SPECIFIED .X ± 0.15/.006 .X' ± 1' .XX ± 0.10/.004 .X' ± .XXX ± 0.05/.002 .XX' ±	
①	Enya	10/18-13'	ECNT113069		CHECKED BY: Eisley	7/19-19'		FINISH:
SYM	NAME	DATE	REVISIONS		APPROVED BY: Eisley	7/19-19'		PART NO. CF08**1H2*0-NH
								SCALE 5 / 1
								SHEET 2 OF 3



