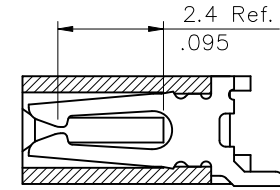
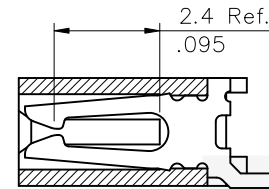


A-A SEC.

(Available in 4 through 8 circuits)

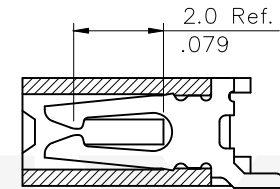


B-B SEC.

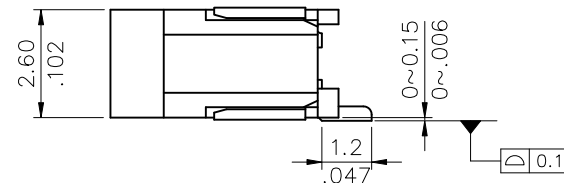
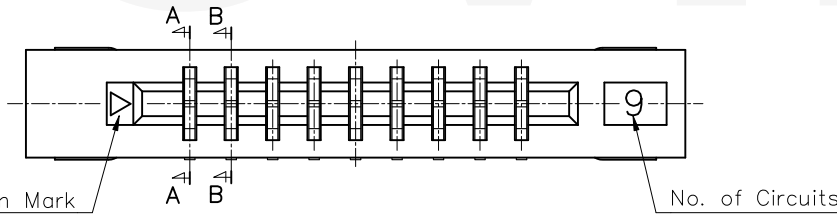


A-A SEC.

(Available in 9 through 32 circuits)




B-B SEC.



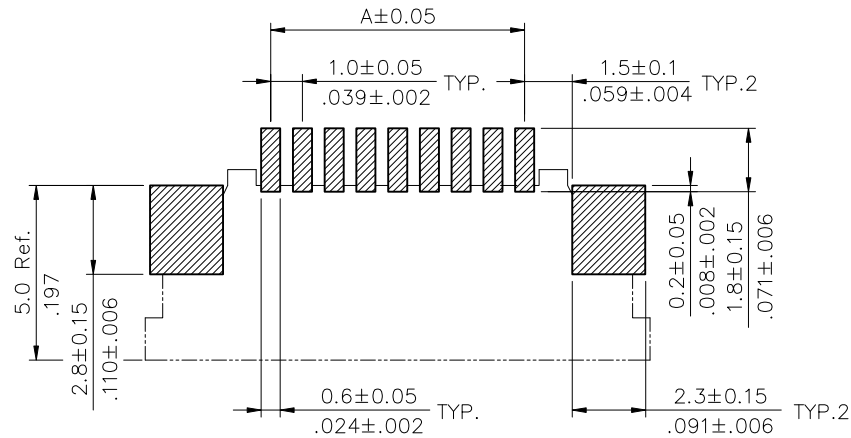
Halogen-Free

Lead Free Process

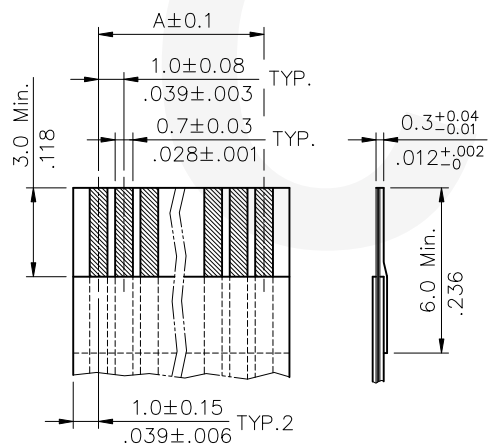
RoHS Compliant

4					DATE	UNIT: mm / inch	TITLE: 1.00mm(.039") LIF FPC/FFC SURFACE MOUNT CONNECTOR	 瀚荃股份有限公司 CviLux Corporation
3					7/16-19'	TOLERANCE UNLESS OTHERWISE SPECIFIED	MATERIAL:	
2					7/17-19'	.X ± 0.15/.006 X' ± 1'	CUSTOMER:	DRAWING NO. CF0844SB PART NO. CF08**1H1*0-NH
1	Sandy	7/16-19'	ECNT119181/ECRB119048		7/19-19'	.XX ± 0.10/.004 .X' ±	TCF0106	SCALE 5 / 1 SHEET 1 OF 3
SYM	NAME	DATE	REVISIONS		APPROVED BY: Easley	7/19-19'		

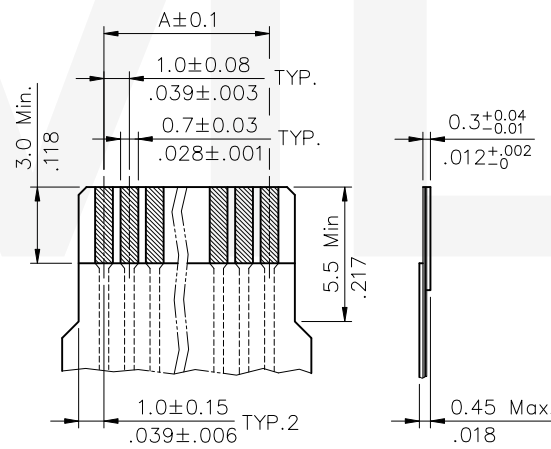




Sold Pad Pattern



Accommodated FFC



Accommodated FPC

Note:

- * Body : High Temperature glass filled polyamide UL 94V-0
- * Contact : Phosphor Bronze
- * Fixed tab : Brass with Matte Tin plated
- * For Lead Free IR Reflow Process

Ordering Code

CF08 ** 1 H 1 * 0 -NH
 ① ② ③ ④ ⑤ ⑥ ⑦ ⑧

- ① Series No.
- ② No. of Circuits
- ③ Plating code:
1 = Matte Tin plated over Nickel
- ④ Contact style: H = Side entry
- ⑤ Color: 1 = Black
- ⑥ Packing options: R = Tape & Reel
T = Tube packing
- ⑦ Other options: 0 = Standard
- ⑧ Process options:
-NH = For Lead Free IR Process and Halogen-Free

A = 1.00 * No. of Spaces

B = A + 8.0

C = A + 2.1

* Available in 4 through 32 circuits

Lead Free Process

Halogen-Free

RoHS Compliant



瀚荃股份有限公司
CviLux Corporation

④					DATE	UNIT: mm / inch	TITLE: 1.00mm(.039") LIF FPC/FFC SURFACE MOUNT CONNECTOR
③					DRAWN BY: Sandy	7/16-19'	MATERIAL:
②					ENGINEER: Sun	7/17-19'	
①	Sandy	7/16-19'	ECNT119181/ECRB119048		CHECKED BY: Eisley	7/19-19'	CUSTOMER: TCF0106
SYM	NAME	DATE	REVISIONS		APPROVED BY: Eisley	7/19-19'	

CVILUX CORP
 2019.07.25
 ISSUED

DRAWING NO.	CF0844SB	PART NO.	CF08**1H1*0-NH
SCALE	5 / 1	SHEET	2 OF 3

