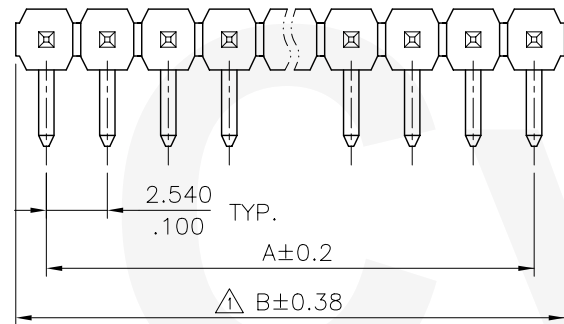


0.64 ± 0.02 TYP.
 $.025 \pm .001$

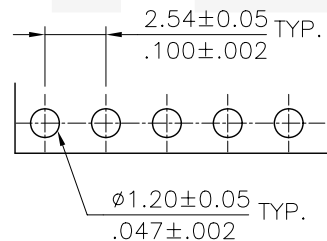
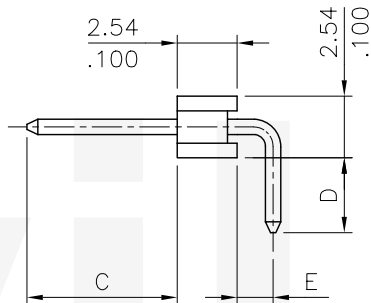


2.540 TYP.
 $.100$
 $A \pm 0.2$
 $B \pm 0.38$

A = 2.54 * No. of Spaces

B = A + 2.36

* Available in 2 through 40 circuits



Recommended P.C. Board Layout

Notes:

* Material:

Contact: Brass

△* Pin overall Length 30.0mm Max.

Ordering Code

CH31 ** * H * **
① ② ③ ④ ⑤ ⑥

① Series No.

② No. of Circuits

③ Plating code:

1 = 3.05μm(120μ") Min. Tin
over 0.76μm(30μ") Nickel

2 = Gold flash plated over
1.27μm(50μ") Nickel

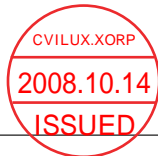
④ H = Right angle

⑤ Insulator: 2 = PBT UL 94V-0, Color Black


A = Nylon 6T UL 94V-0, Color Black

⑥ Pin Length Option Code:

See Table PDF. File No. CH3102T



RoHS Compliant

⑥	Sun	10/6-08'	ECN08478/ECR08118-1		DATE	UNIT: mm / inch	TITLE: 2.54MM(.100") RIGHT ANGLE BOARD MOUNT PIN HEADER	 瀚荃股份有限公司 CviLux Corporation
⑤	Bill	4/16/07'	ECN07148/ECR07059-0	DRAWN BY:	Sun	10/07-08'	TOLERANCE UNLESS OTHERWISE SPECIFIED	
④	Sun	11/18/05	ECN05392	ENGINEER:	Eisley	10/07-08'	.X ± 0.30/.012 X' ± 1"	MATERIAL:
③	LYNN	12/13-04	ECN04465/ECR04109-0	CHECKED BY:	Alex	10/07-08'	.XX ± 0.20/.008 X' ±	FINISH:
SYM	NAME	DATE	REVISIONS	APPROVED BY:	Alex	10/07-08'	.XXX ± 0.10/.004 XX' ±	DRAWING NO. CH3102SR PART NO. CH31***H***
								SCALE 3 / 1 SHEET 1 OF 1