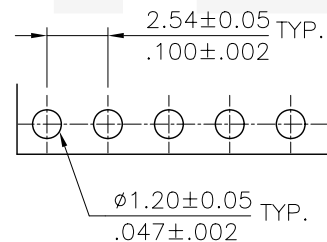
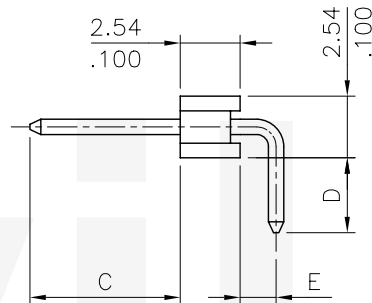


A = 2.54 \* No. of Spaces

B = A + 2.36

\* Available in 2 through 40 circuits



Recommended P.C. Board Layout

Notes:

\* Material:

Contact: Brass

△\* Pin overall Length 30.0mm Max.

### Ordering Code

CH31 \*\* \* H A \*\* -NH  
 ① ② ③ ④ ⑤ ⑥ ⑦

① Series No.

② No. of Circuits

③ Plating code:

1 = Matte Tin plated over Nickel

2 = Gold flash plated over

1.27µm(50µ") Nickel

④ H = Right angle

⑤ Insulator: A = Nylon 6T UL 94V-0 , Color Black

⑥ Pin Length Option Code:

See Table PDF. File No. CH3153T


⑦ -NH = For Lead Free IR Processes and Halogen-Free



Halogen-Free

Lead Free Process

RoHS Compliant

④						DATE	UNIT: mm / inch	TITLE: 2.54MM(.100") RIGHT ANGLE BOARD MOUNT PIN HEADER	 瀚荃股份有限公司 CviLux Corporation
③				DRAWN BY:	Sun	10/07-08'	TOLERANCE UNLESS OTHERWISE SPECIFIED	MATERIAL:	
②				ENGINEER:	Eisley	10/07-08'	.X ± 0.30/.012 X' ± 1"	FINISH:	
⑤	Sun	10/6-08'	ECN08477/ECR08117-1	CHECKED BY:	Alex	10/07-08'	.XX ± 0.20/.008 X' ±		DRAWING NO. CH3153SB PART NO. CH31***HA**-NH
SYM	NAME	DATE	REVISIONS	APPROVED BY:	Alex	10/07-08'	.XXX ± 0.10/.004 XX' ±		SCALE 3 / 1 SHEET 1 OF 1