

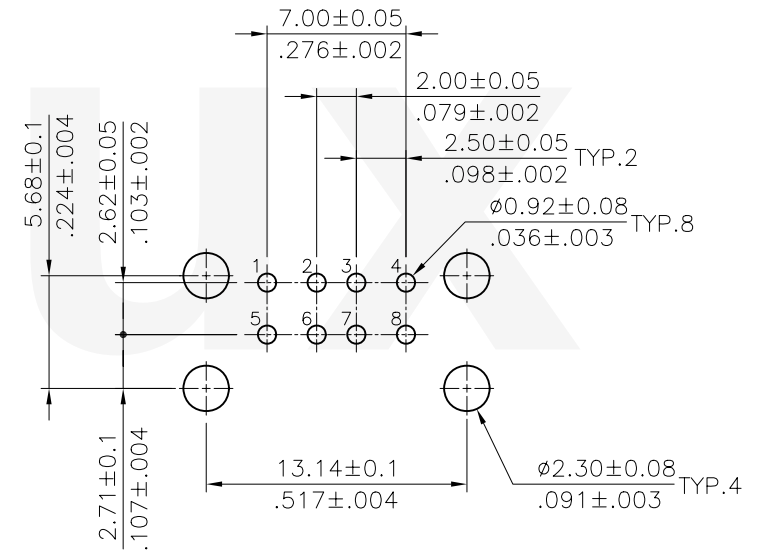
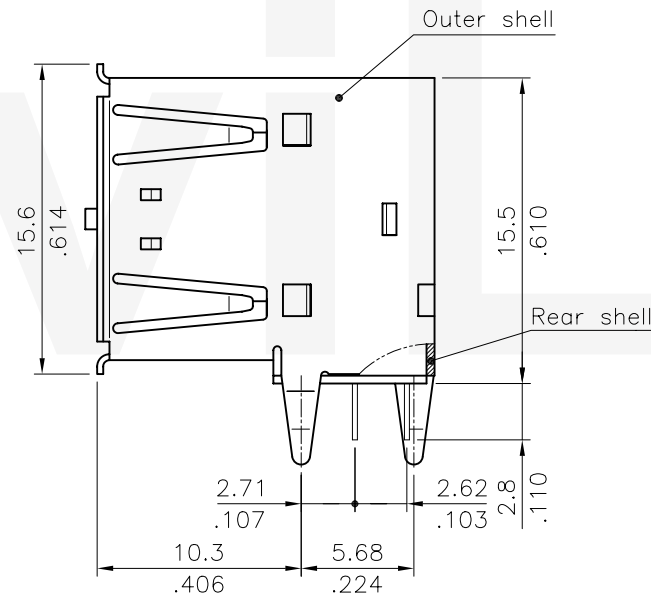
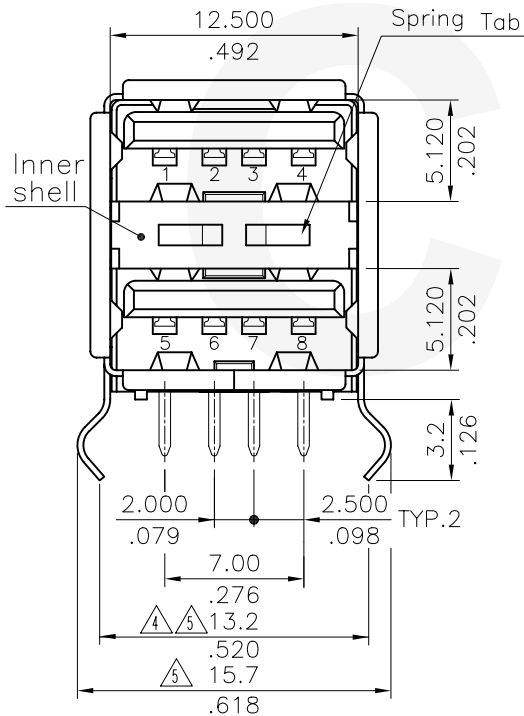
Materials :

Insulator: Glass filled polyester UL 94V-0
 Contacts: Phosphor Bronze
 Outer & Inner Shell: Brass
 Shell Plating: 80μ" Nickel over 50μ" Cu
 Rear Shell: Steel With Nickel plated

Ordering Code:

CU01 S A H 1 D 00
 ① ② ③ ④ ⑤ ⑥ ⑦

- ① Series No.
- ② S= Socket
- ③ Plating option:
 A= Selective Gold flash plated over 1.27μm(50μ") Nickel
 C= Selective 0.76μm(30μ") Gold plated over 1.27μm(50μ") Nickel
- ④ H= Right angle
- ⑤ Insulator Color: 1= Black, 0= White
- ⑥ D= Dual port
- ⑦ Option: 00= With Spring Tab(Standard)



Recommended P.C. Board Layout

Lead Free Process

RoHS Compliant

⑥	Sun	3/26-07'	ECN07109		DATE	UNIT: mm / inch	TITLE: USB TYPE A RIGHT ANGLE DUAL PORT BOARD MOUNT SOCKET	 瀚荃股份有限公司 CviLux Corporation	
⑤	Jim	7/27-06'	ECN06258		DRAWN BY: Sun	3/27-07'	TOLERANCE UNLESS OTHERWISE SPECIFIED		MATERIAL:
④	Jim	7/14-06'	ECR06052-0/ECN06232		ENGINEER: Clark	4/09-07'	.X ± 0.30/.012 X' ± r'		FINISH:
③	Ethan	12/19-05'	ECN05441		CHECKED BY: Eisley	4/24-07'	.XX ± 0.20/.008 .X' ±		DRAWING NO. CU0102SR PART NO. CU01S*H*D00
SYM	NAME	DATE	REVISIONS		APPROVED BY: David	4/25-07'	.XXX ± 0.10/.004 .XX' ±		SCALE 3 / 1 SHEET 1 OF 1