

NOTE:

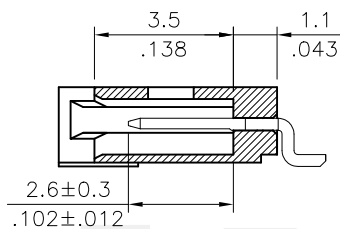
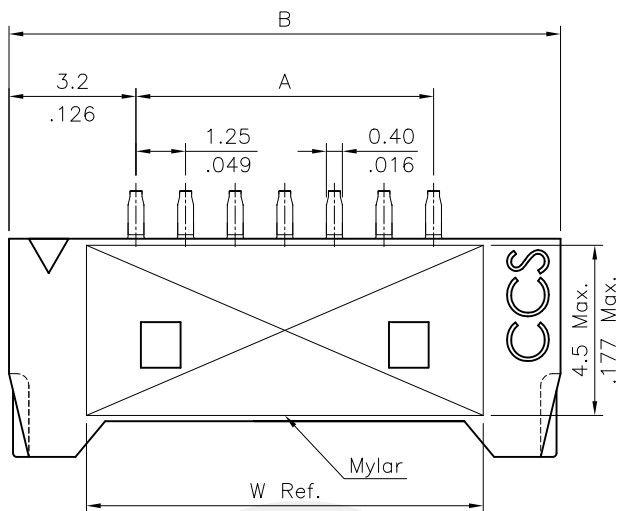
Material :

- * Base : PA6T With 30% GF.
UL 94V-0
- ⑤ * Contact : Brass
- * Fixed tab : Brass
- * Tab Plating : 100u" Min Matte Tin
Plated over 50u" Nickel
- * For Lead Free IR Reflow Process

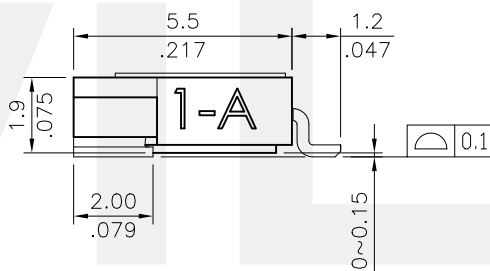
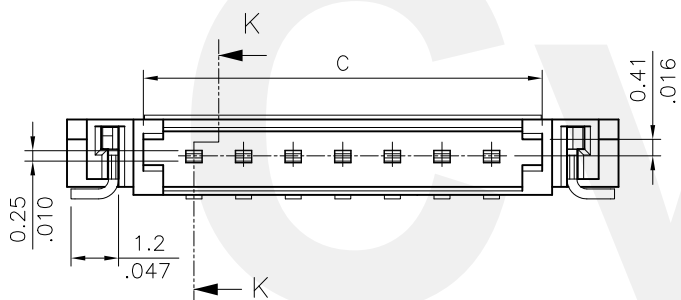
ORDERING CODE

CI42 ** M * H R * -NH
① ② ③ ④ ⑤ ⑥ ⑦ ⑧

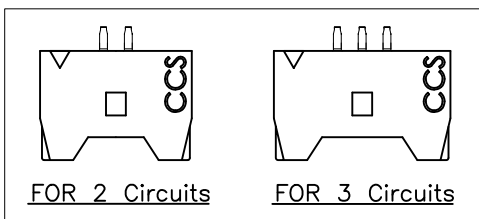
- ① Series No.
- ② Contact: 02 to 10, 12
- ③ M= SMT TYPE HEADER
- ④ Plating :
1= 3.05μm(120μ") Min. Matte Tin Plated
over 1.27um(50μ") Nickel
2= Gold flash over 1.27μm(50μ") Nickel
- ⑤ Type: H= Side entry
- ⑥ Packing option:
R= Tape & Reel Packing
- ⑦ Other option:
0= Without Mylar
P= With Mylar
- ⑧ -NH= For Lead Free IR Processes and Halogen-Free



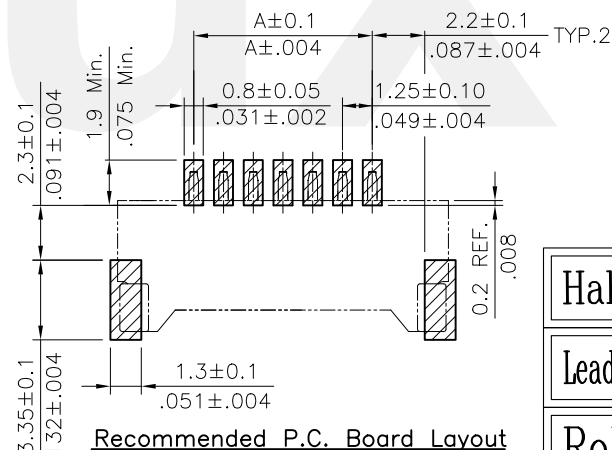
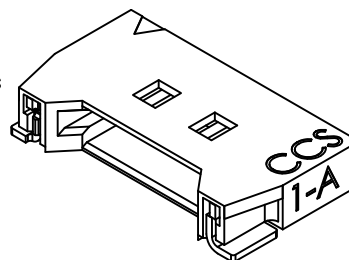
SEC. K-K



DIM A = 1.25 x No. Of Spaces
 DIM B = DIM.A + 6.4
 DIM C = DIM.A + 2.55
 * Available in 2 through 10,12 circuits



Circuits	W
2~3	5.0 (.197)
4~6	6.0 (.236)
7~10,12	10.0 (.394)



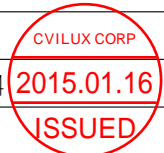
Recommended P.C. Board Layout

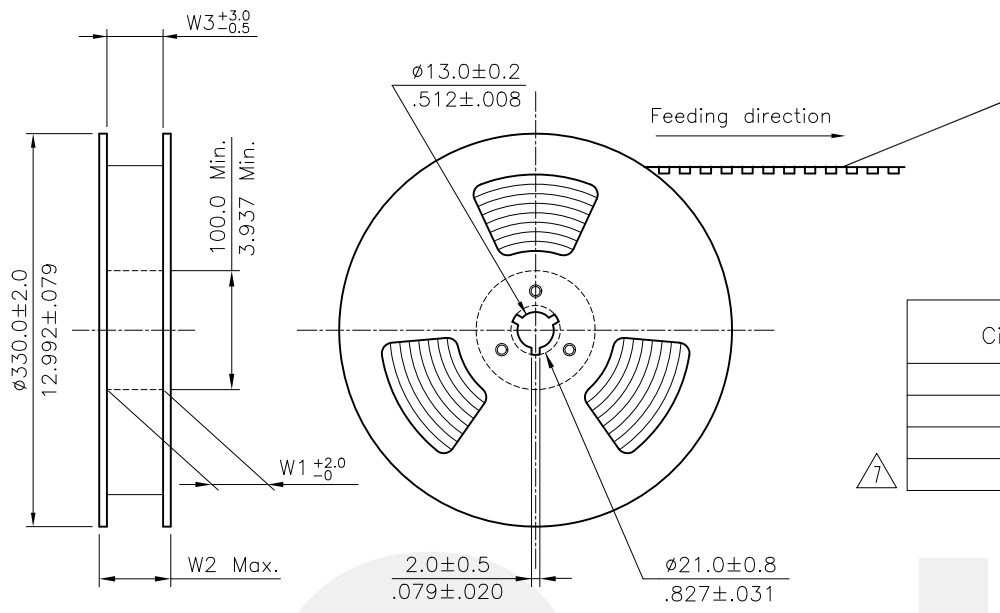
Halogen-Free

Lead Free Process

RoHS Compliant

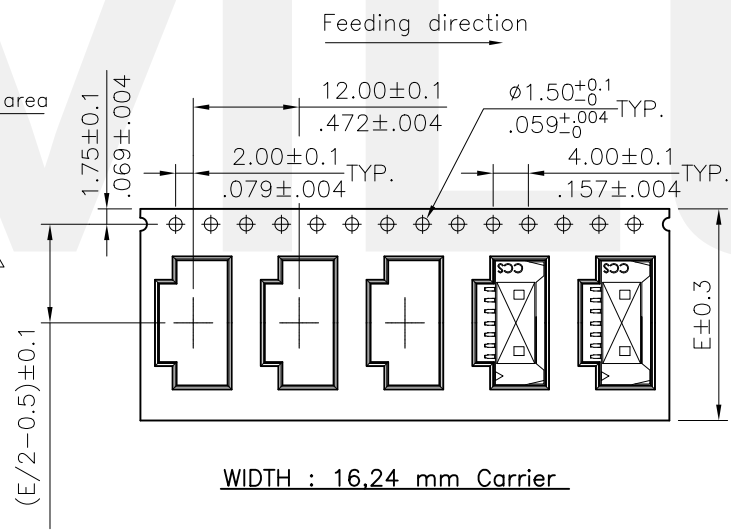
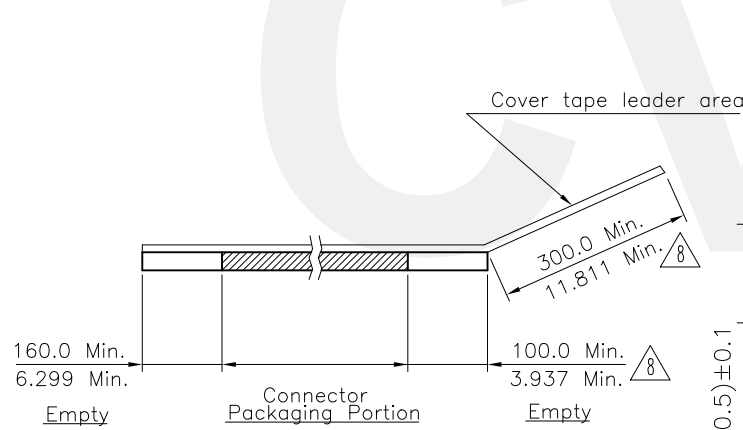
SYM	NAME	DATE	REVISIONS	APPROVED BY:	DATE	UNIT: mm / inch	TOLERANCE UNLESS OTHERWISE SPECIFIED	TITLE:	DRAWING NO.	PART NO.	SHEET	OF
⑧	Ellie	12/24-14	ECNT114252/ECRT114090			mm / inch		1.25mm Side entry SMT Type Connector	CI4201SH	CI42**M*HR*-NH	1	2
⑦	Karen	1/24-14'	ECNT114011	DRAWN BY:	Ellie							
⑥	Enya	11/6-13'	ECNT113105/ECRH113004	ENGINEER:	Sun		.X ± 0.25/.010 X' ± 1'					
⑤	Enya	6/14-13'	ECN13140-0	CHECKED BY:	Eisley		.XX ± 0.15/.006 X' ±					
				APPROVED BY:	Eisley		.XXX ± 0.10/.004 X' ±					



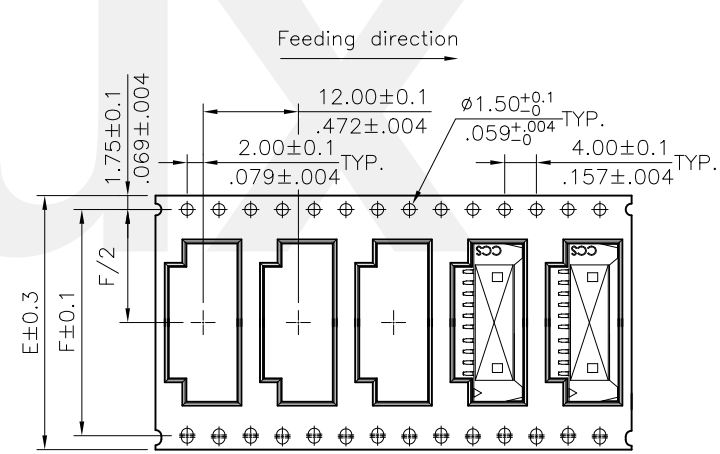


- NOTES:
1. 10 sprocket hole pitch cumulative tolerance ± 0.20
 2. Carrier camber is within 1 mm in 250 mm.
 3. Material : Black, Polystyrene alloy
 4. All dimensions meet EIA-481-B requirements.
 5. Thickness : 0.35 ± 0.05 mm.
 6. Packing length per 22" Reel : 56.4 Meters.
 7. Component load per 13" Reel : 1500 pcs.

Circuits	Dimension					Packing (Reel/Caton)
	E	F	W1	W2	W3	
2~3	16.0(.630)	—	16.5(.650)	22.5(.885)	16.5(.650)	11
4~9	24.0(.945)	—	24.5(.965)	30.5(1.200)	24.5(.965)	9
10	32.0(1.260)	28.40(1.118)	32.5(1.280)	38.5(1.516)	32.5(1.280)	7
12	44.0(1.732)	40.40(1.596)	44.4(1.748)	50.4(1.984)	44.4(1.748)	5



WIDTH : 16.24 mm Carrier



WIDTH : 32.44 mm Carrier

RoHS Compliant

8	Ellie	12/24-14'	ECNT114252/ECRT114090		DATE	UNIT: mm / inch	TITLE: 1.25mm Side entry SMT Type Connector	 瀚荃股份有限公司 CviLux Corporation	
7	Karen	1/24-14'	ECNT114011		DRAWN BY: Ellie	12/24-14'			TOLERANCE UNLESS OTHERWISE SPECIFIED
6	Enya	11/6-13'	ECNT113105/ECRH113004		ENGINEER: Sun	12/25-14'	.X ± X' ± '1		
5	Enya	6/14-13'	ECN13140-0		CHECKED BY: Eisley	12/29-14'	.XX ± .X' ±		
SYM	NAME	DATE	REVISIONS		APPROVED BY: Eisley	12/29-14'	.XXX ± .XX' ±		
MATERIAL:								DRAWING NO. CI4201SH	PART NO. CI42**M*HR*-NH
FINISH:								SCALE	SHEET 2 OF 2