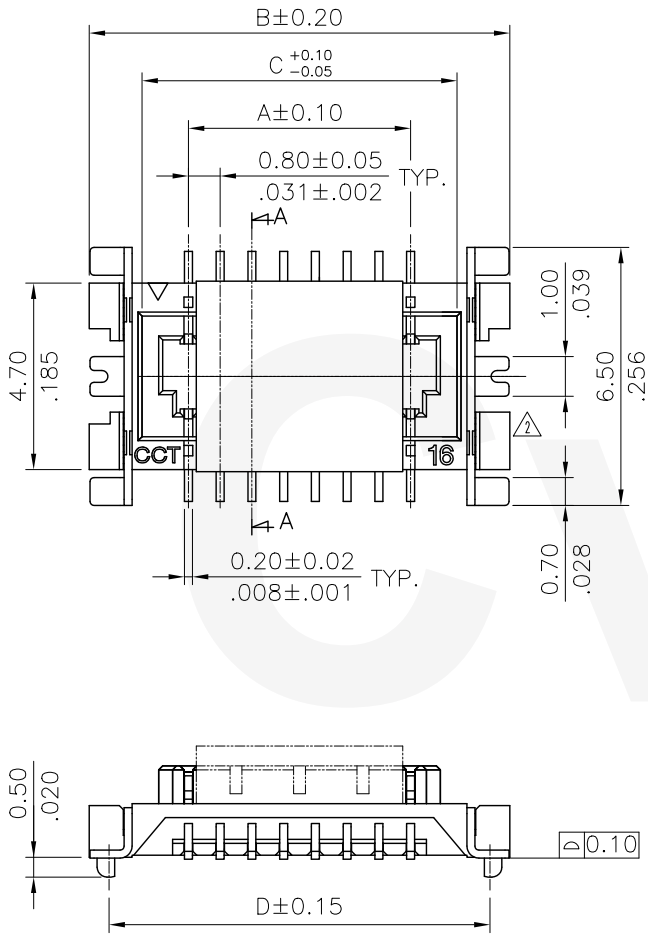


DIM.A = 0.80 * No. of Spaces
 DIM.B = DIM.A + 5.0
 DIM.C = DIM.A + 2.34
 DIM.D = DIM.A + 4.0

* Available in 10,12,14,16,20,24,26,
 30,34,36,40,50,60,80 circuits



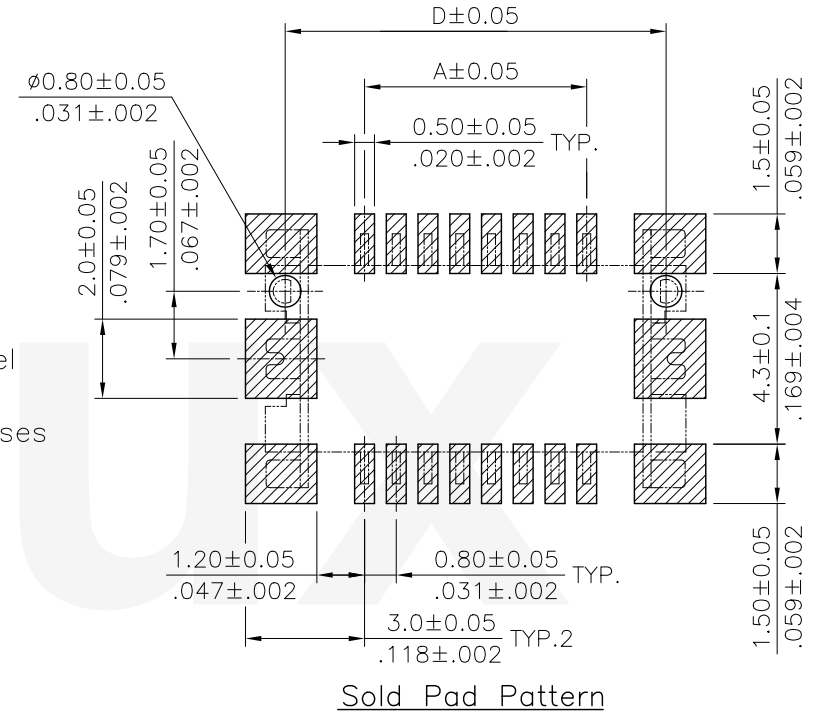
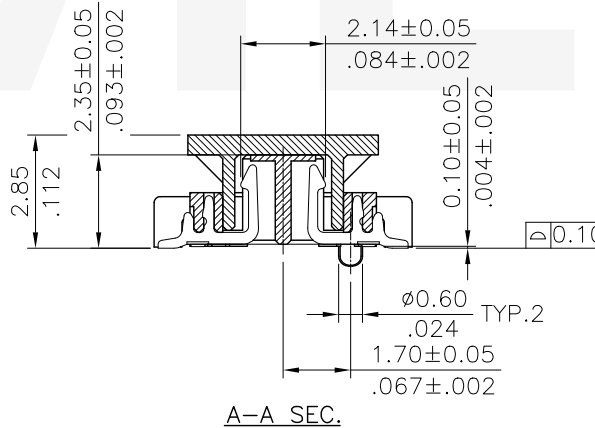
Ordering Code:

CBRD *** P A 2 * ** R 0 -NH
 ① ② ③ ④ ⑤ ⑥ ⑦ ⑧ ⑨ ⑩

- ① Series No.
- ② No. of Contact:
- ③ Connector Type: P = Plug
- ④ Height: A = 2.35mm
- ⑤ Plating code:
 2 = Gold flash plated over
 1.27μm(50μ") Nickel
- ⑥ Fixed Tab Option:
 0 = Without Fixed Tabs
 F = With Fixed Tabs
- ⑦ Pegs Option: 00 = Without Pegs
 P1 = With Pegs
- ⑧ Packing Option: R = Tape & Reel
- ⑨ Other Option: 0 = Standard
- ⑩ -NH = For Lead Free IR Processes
 and Halogen-Free

Material:

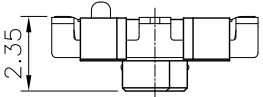
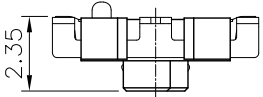
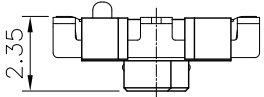
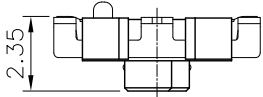
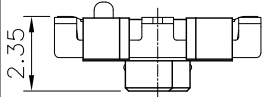
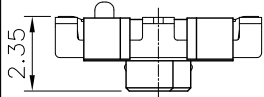
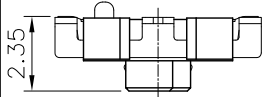
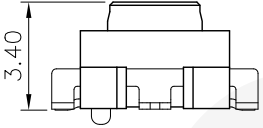
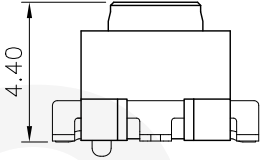
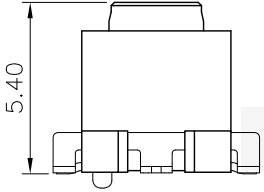
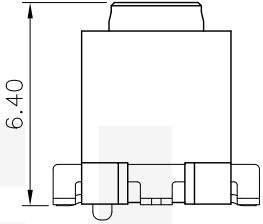
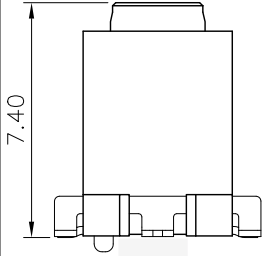
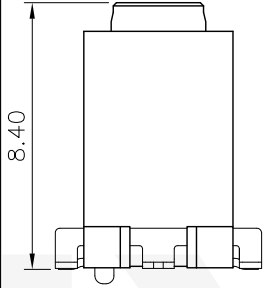
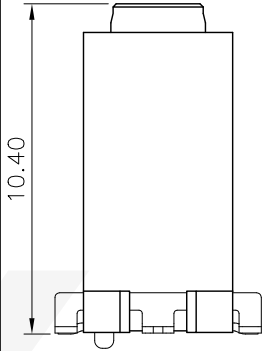
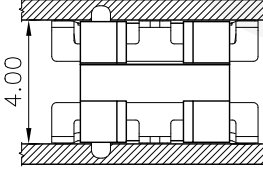
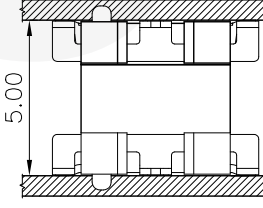
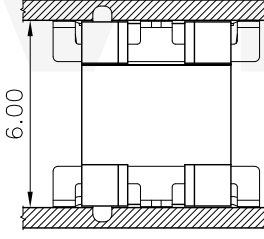
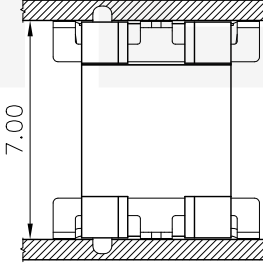
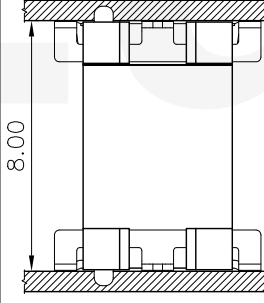
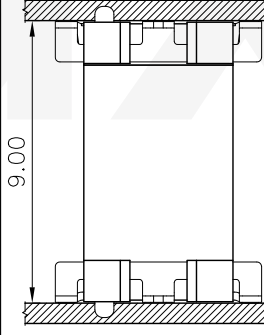
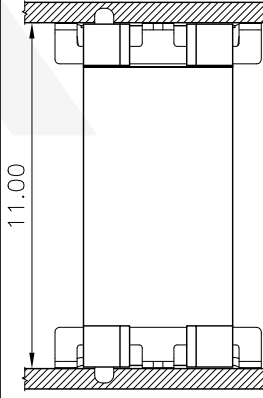
- * Insulation:
 Nylon 6T + 30% G.F. UL94V-0
 Color Nature
- * Contact: Phosphor Bronze, t=0.2mm
- * Fixed tab: Brass, With Gold Flash, t=0.2mm



Sold Pad Pattern

Halogen-Free
 Lead Free Process
 RoHS compliant

④						DATE	UNIT: mm / inch	TITLE: 0.80mm(.031") Board To Board Plug Connector (For Mating Height 4.0/5.0/6.0/ 7.0/8.0/9.0/11.0mm)		
③			DRAWN BY:		Kevin	2/9-11'	TOLERANCE UNLESS OTHERWISE SPECIFIED			
②	Karen	2/08-11'	ECN11030/ECR11006-0		ENGINEER:	Eisley	2/21-11'			.X ± 0.30/.012 X' ± 1'
①	Kevin	11/10-09'	ECN09538		CHECKED BY:	David	2/21-11'			.XX ± 0.20/.008 .X' ±
SYM	NAME	DATE	REVISIONS		APPROVED BY:	David	2/21-11'			.XXX ± 0.10/.004 .XX' ±
DRAWING NO.	CBRD01SC	PART NO.	CBRD***PA2***R0-NH	SCALE	5 / 1	SHEET	1 OF 3			


Male	CBRD***PA2***R0-NH 	CBRD***PA2***R0-NH 	CBRD***PA2***R0-NH 	CBRD***PA2***R0-NH 	CBRD***PA2***R0-NH 	CBRD***PA2***R0-NH 	CBRD***PA2***R0-NH 
Female	CBRD***SA2***R0-NH 	CBRD***SB2***R0-NH 	☆ CBRD***SC2***R0-NH 	☆ CBRD***SD2***R0-NH 	CBRD***SE2***R0-NH 	☆ CBRD***SF2***R0-NH 	☆ CBRD***SG2***R0-NH 
Mating Height			☆ 	☆ 		☆ 	☆ 

⚠ Remark : Please contact CviLux if " ☆ " type is needed.

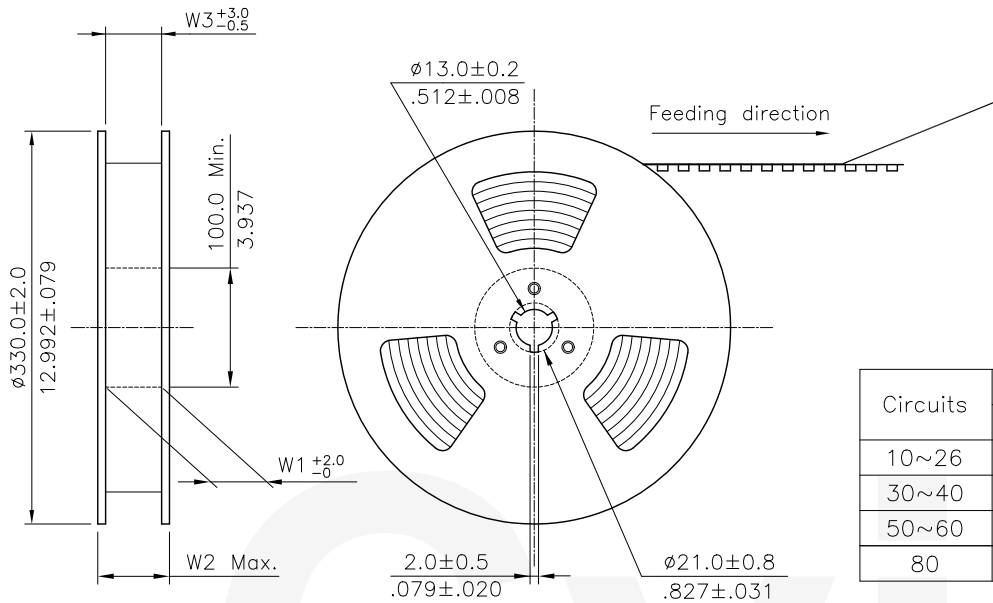
Halogen-Free

Lead Free Process

RoHS compliant

4					DATE	UNIT: mm / inch	TITLE:	 瀚荃股份有限公司 CviLux Corporation
3				DRAWN BY: Kevin	2/9-11'	TOLERANCE UNLESS OTHERWISE SPECIFIED	0.80mm(.031") Board To Board Plug Connector (For Mating Height 4.0/5.0/6.0/ 7.0/8.0/9.0/11.0mm)	
2	Karen	2/08-11'	ECN11030/ECR11006-0	ENGINEER: Eisley	2/21-11'	.X ± 0.30/.012 X' ± 1"	DRAWING NO. CBRD01SC PART NO. CBRD***PA2***R0-NH	
1	Kevin	11/10-09'	ECN09538	CHECKED BY: David	2/21-11'	.XX ± 0.20/.008 .X' ±	SCALE 4 / 1 SHEET 2 OF 3	
SYM	NAME	DATE	REVISIONS	APPROVED BY: David	2/21-11'	.XXX ± 0.10/.004 .XX' ±		

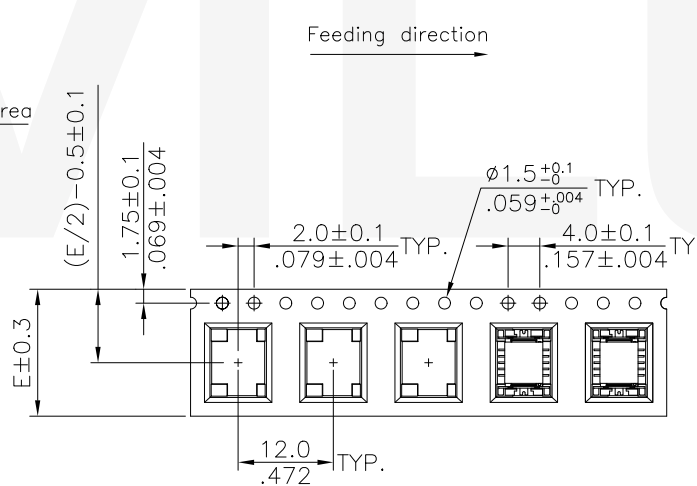
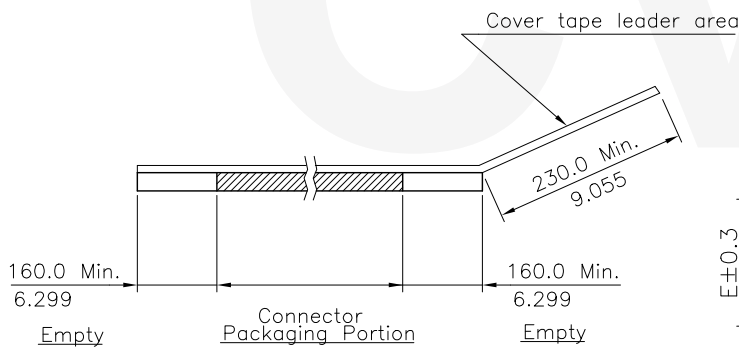




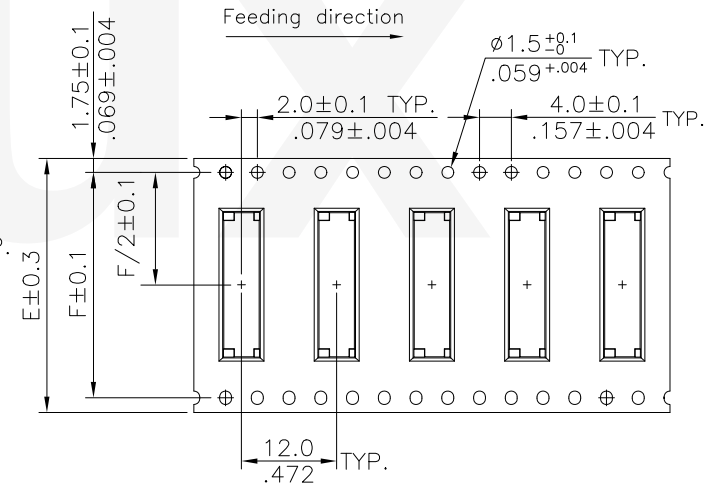
NOTE :

- * Reel Material : HIPS
- * Carrier Material : Clear, Conductive Polystyrene Alloy
- * Cover Tape Material : Polyester
- * Cover Tape Peel Strength : 0.1N – 1.3N
- * Carrier camber is within 1mm in 100mm
- * All dimensions meet EIA-481-2 & EIA-481-3 requirements.
- * Quantity : 1300 PCS/Reel

Circuits	Dimension					Packing (Reel/Caton)
	E	F	W1	W2	W3	
10~26	24.0(.945)	-	24.5(.965)	30.5(1.200)	24.5(.965)	9
30~40	32.0(1.260)	28.40(1.118)	32.5(1.280)	38.5(1.516)	32.5(1.280)	7
50~60	44.0(1.732)	40.40(1.591)	44.5(1.752)	50.5(1.988)	44.5(1.752)	5
80	56.0(2.205)	52.40(2.063)	56.5(2.224)	62.5(2.460)	56.5(2.224)	4



WIDTH : 24 mm Carrier



WIDTH : 32,44,56 mm Carrier

RoHS Compliant

SYM	NAME	DATE	REVISIONS	APPROVED BY:	DATE	UNIT: mm / inch	TITLE:	SCALE	SHEET	OF	3	
4						mm / inch	0.80mm(.031") Board To Board Plug Connector (For Mating Height 4.0/5.0/6.0/7.0/8.0/9.0/11.0mm)					
3						TOLERANCE UNLESS OTHERWISE SPECIFIED						
2	Karen	2/08-11'	ECN11030/ECR11006-0	ENGINEER:	Kevin	.X ±		.X' ± 1'				
1	Kevin	11/10-09'	ECN09538	CHECKED BY:	David	.XX ±		.X' ±				
				APPROVED BY:	David	.XXX ±		.XX' ±				

CIVILUX CORP
2011.03.22
ISSUED

瀚荃股份有限公司
CviLux Corporation

DRAWING NO. CBRD01SC PART NO. CBRD***PA2***R0-NH
SCALE SHEET 3 OF 3