

DIM.A = 0.80 \* No. of Spaces  
 DIM.B = DIM.A + 5.0  
 DIM.C = DIM.A + 1.6  
 DIM.D = DIM.A + 4.0

\* Available in 10,12,14,16,20,24,26,  
 30,34,36,40,50,60,80 circuits

### Ordering Code:

CBRD \*\*\* S \* 2 \* \*\* R 0 -NH

① ② ③ ④ ⑤ ⑥ ⑦ ⑧ ⑨ ⑩

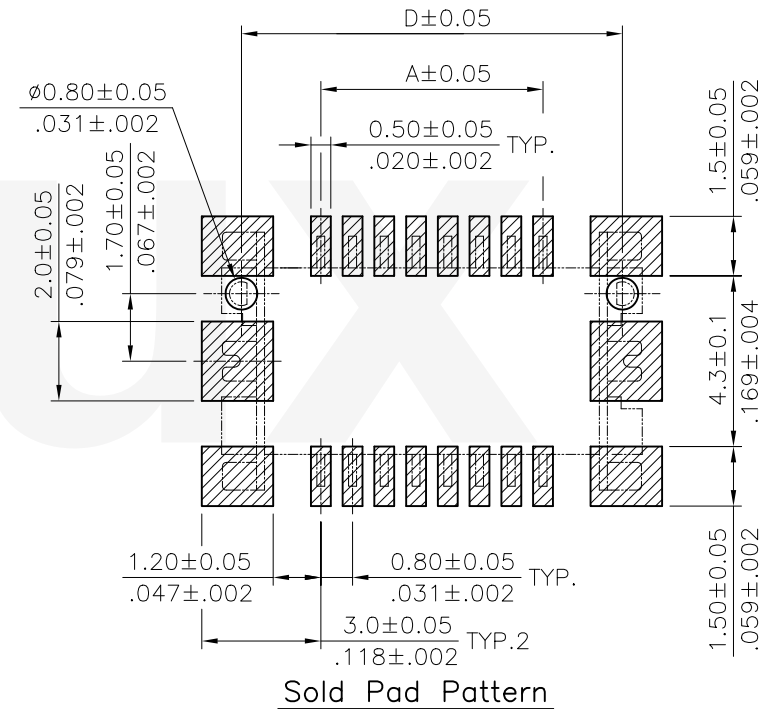
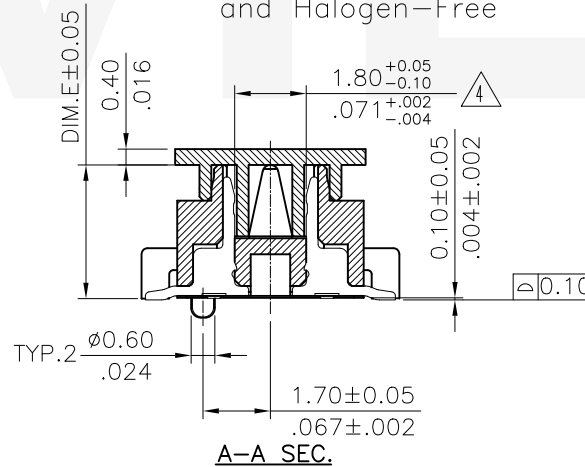
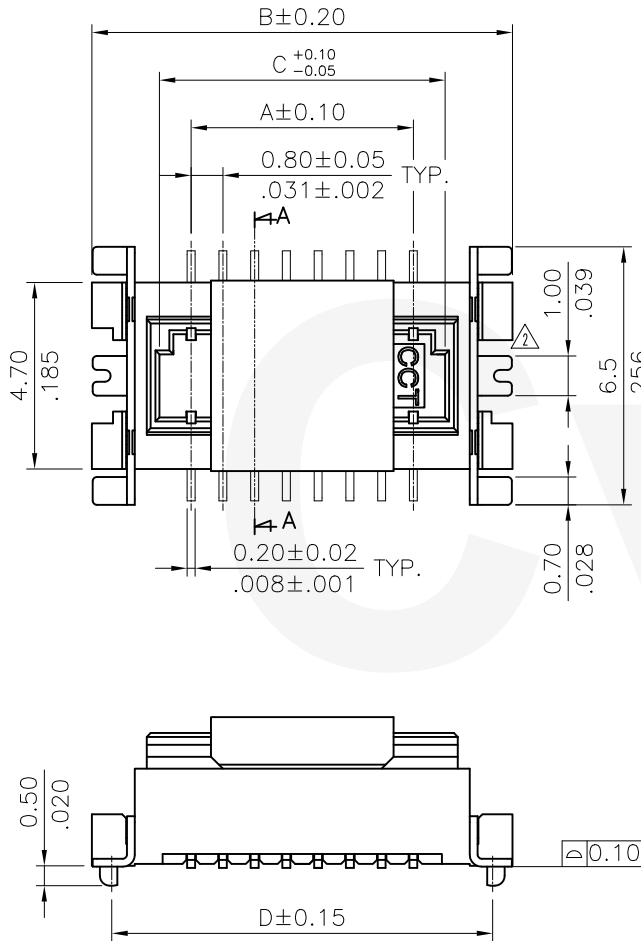
- ① Series No.
- ② No. of Contact:
- ③ Connector Type: S = Receptacle
- ④ Height: A: DIM.E=3.40mm  
 B: DIM.E=4.40mm; C: DIM.E=5.40mm  
 D: DIM.E=6.40mm; E: DIM.E=7.40mm  
 F: DIM.E=8.40mm; G: DIM.E=10.40mm
- ⑤ Plating code:  
 2= Gold flash plated over  
 1.27μm(50μ") Nickel
- ⑥ Fixed Tab Option:  
 0 = Without Fixed Tabs  
 F = With Fixed Tabs
- ⑦ Pegs Option: 00 = Without Pegs  
 P1 = With Pegs
- ⑧ Packing Option: R = Tape & Reel
- ⑨ Other Option: 0 = Standard
- ⑩ -NH = For Lead Free IR Processes  
 and Halogen-Free

### Note:

#### 1. Material:

- \* Insulation:  
 Nylon 6T + 30% G.F. UL94V-0  
 Color Nature(Halogen-Free)
- \* Contact: Brass, t=0.2mm
- \* Fixed tab: Brass, With Gold Flash,  
 t=0.2mm
- \* PAD: Nylon 6T + 30% G.F. UL94V-0  
 (Halogen-Free)

#### 2. For Lead Free IR Reflow Process



Halogen-Free    Lead Free Process    RoHS compliant

④	Enya	10/18-13'	ECNT113086/ECRT113019		DATE	UNIT: mm / inch
③	Karen	5/09-13'	ECN13104-0/ECR13022-0	DRAWN BY: Enya	10/18-13'	TOLERANCE UNLESS OTHERWISE SPECIFIED
②	Karen	2/08-11'	ECN11030/ECR11006-0	ENGINEER: Sun	10/22-13'	.X ± 0.30/.012    X' ± 1'
①	Kevin	11/10-09'	ECN09538	CHECKED BY: Eisley	10/23-13'	.XX ± 0.20/.008    .X' ±
SYM	NAME	DATE	REVISIONS	APPROVED BY: Eisley	10/23-13'	.XXX ± 0.10/.004    .XX' ±

CVLUX CORP  
 2013.11.07  
 ISSUED

TITLE:  
 0.80mm(.031") Board To Board  
 Receptacle Connector  
 (For Mating Height 4.0/5.0/6.0/  
 7.0/8.0/9.0/11.0mm)

瀚荃股份有限公司  
 CviLux Corporation

DRAWING NO.	CBRD02SE	PART NO.	CBRD***S*2***R0-NH
SCALE	5 / 1	SHEET	1 OF 3

Male	CBRD***PA2***R0-NH 	CBRD***PA2***R0-NH 	CBRD***PA2***R0-NH 	CBRD***PA2***R0-NH 	CBRD***PA2***R0-NH 	CBRD***PA2***R0-NH 	CBRD***PA2***R0-NH 
Female	CBRD***SA2***R0-NH 	CBRD***SB2***R0-NH 	☆ CBRD***SC2***R0-NH 	☆ CBRD***SD2***R0-NH 	CBRD***SE2***R0-NH 	☆ CBRD***SF2***R0-NH 	☆ CBRD***SG2***R0-NH 
Mating Height			☆ 	☆ 		☆ 	☆ 

⚠ Remark : Please contact CviLux if " ☆ " type is needed.

Halogen-Free

Lead Free Process

RoHS compliant

4	Enya	10/18-13'	ECNT113086/ECRT113019		DATE	UNIT: mm / inch	TOLERANCE UNLESS OTHERWISE SPECIFIED	TITLE: 0.80mm(.031") Board To Board Receptacle Connector (For Mating Height 4.0/5.0/6.0/ 7.0/8.0/9.0/11.0mm)
3	Karen	5/09-13'	ECN13104-0/ECR13022-0	DRAWN BY: Enya	10/18-13'	.X ± 0.30/.012 X' ± 1"		
2	Karen	2/08-11'	ECN11030/ECR11006-0	ENGINEER: Sun	10/22-13'	.XX ± 0.20/.008 X" ±		
1	Kevin	11/10-09'	ECN09538	CHECKED BY: Eisley	10/23-13'	.XXX ± 0.10/.004 .XX" ±		
SYM	NAME	DATE	REVISIONS	APPROVED BY: Eisley	10/23-13'			



瀚荃股份有限公司  
CviLux Corporation

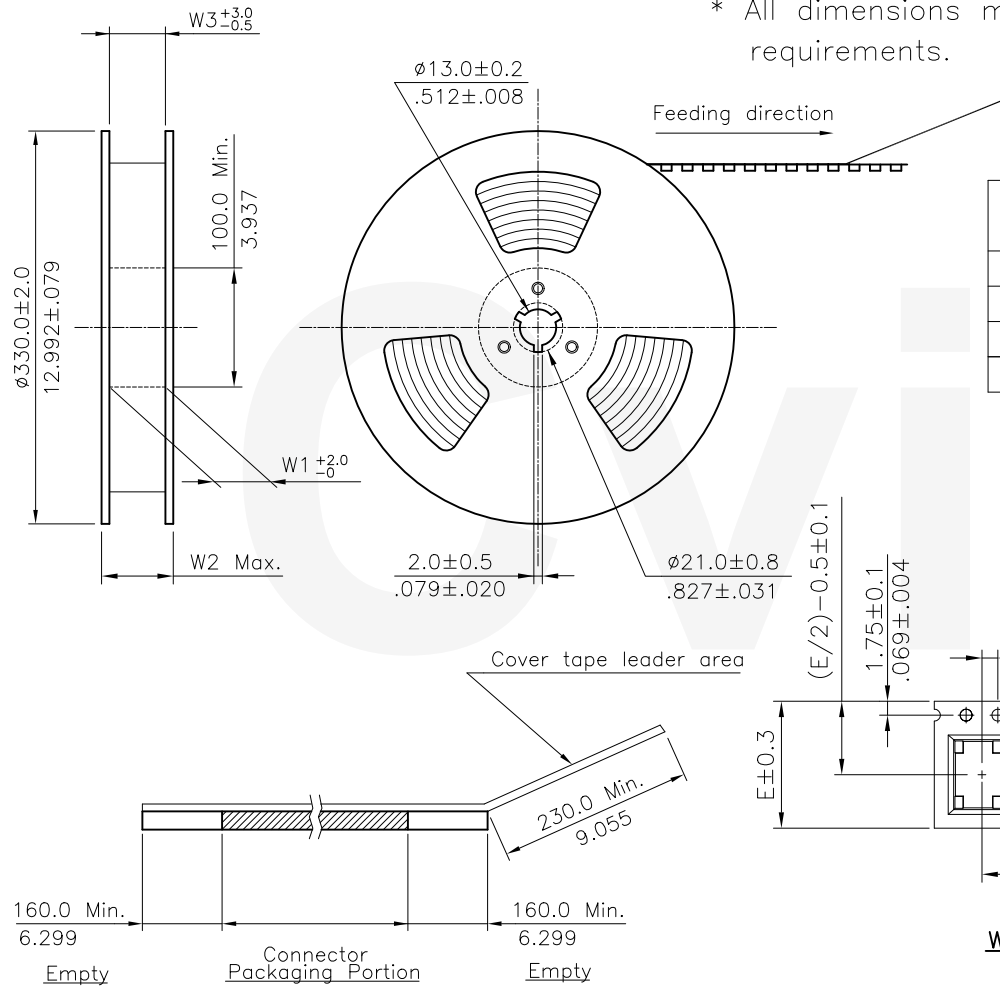
DRAWING NO.	CBRD02SE	PART NO.	CBRD***S*2***R0-NH
SCALE	4 / 1	SHEET	2 OF 3

NOTE :

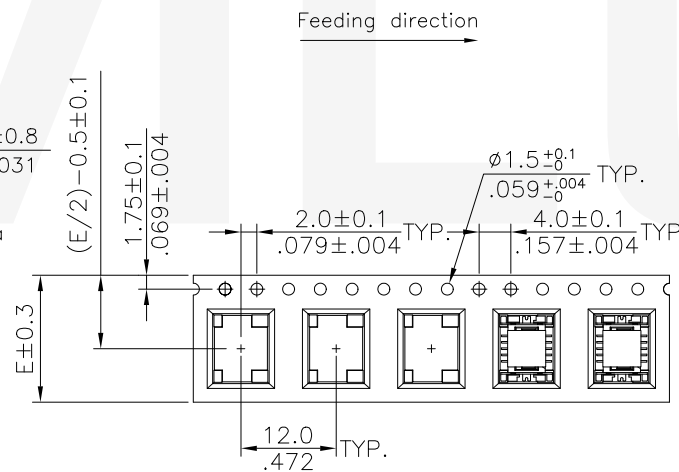
- \* Reel Material : HIPS
- \* Carrier Material : Clear, Conductive Polystyrene Alloy
- \* Cover Tape Material : Polyester
- \* Cover Tape Peel Strength : 0.1N – 1.3N
- \* Carrier camber is within 1mm in 100mm
- \* All dimensions meet EIA-481-2 & EIA-481-3 requirements.



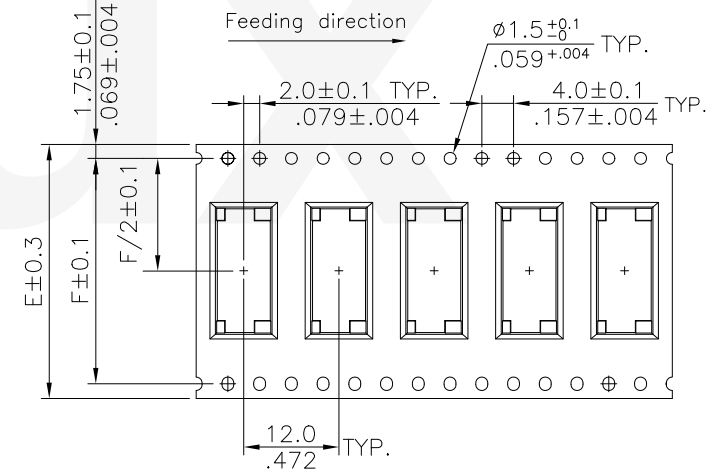
Part No.	Quantity
CBRD0**SA2***R0-NH	1000 PCS/Reel
CBRD0**SB2***R0-NH	850 PCS/Reel
CBRD0**SC2***R0-NH	750 PCS/Reel
CBRD0**SD2***R0-NH	650 PCS/Reel
CBRD0**SE2***R0-NH	400 PCS/Reel
CBRD0**SF2***R0-NH	400 PCS/Reel
CBRD0**SG2***R0-NH	300 PCS/Reel



Circuits	Dimension					Packing (Reel/Caton)
	E	F	W1	W2	W3	
10~26	24.0(.945)	-	24.5(.965)	30.5(1.200)	24.5(.965)	9
30~40	32.0(1.260)	28.40(1.118)	32.5(1.280)	38.5(1.516)	32.5(1.280)	7
50~60	44.0(1.732)	40.40(1.591)	44.5(1.752)	50.5(1.988)	44.5(1.752)	5
80	56.0(2.205)	52.40(2.063)	56.5(2.224)	62.5(2.460)	56.5(2.224)	4



WIDTH : 24 mm Carrier



WIDTH : 32.44.56 mm Carrier

RoHS Compliant

SYM	NAME	DATE	REVISIONS	APPROVED BY:	DATE
4	Enya	10/18-13'	ECNT113086/ECRT113019		
3	Karen	5/09-13'	ECN13104-0/ECR13022-0		
2	Karen	2/08-11'	ECN11030/ECR11006-0		
1	Kevin	11/10-09'	ECN09538		

CVILUX CORP  
 2013.11.07  
 ISSUED

DRAWN BY:	Enya	10/18-13'
ENGINEER:	Sun	10/22-13'
CHECKED BY:	Eisley	10/23-13'
APPROVED BY:	Eisley	10/23-13'

UNIT:	mm / inch
TOLERANCE	UNLESS OTHERWISE SPECIFIED
.X ±	.X' ± 1'
.XX ±	.X' ±
.XXX ±	.XX' ±

TITLE:  
 0.80mm(.031") Board To Board  
 Receptacle Connector  
 (For Mating Height 4.0/5.0/6.0/  
 7.0/8.0/9.0/11.0mm)

瀚荃股份有限公司 CviLux Corporation			
DRAWING NO.	CBRD02SE	PART NO.	CBRD***S*2***R0-NH
SCALE		SHEET	3 OF 3