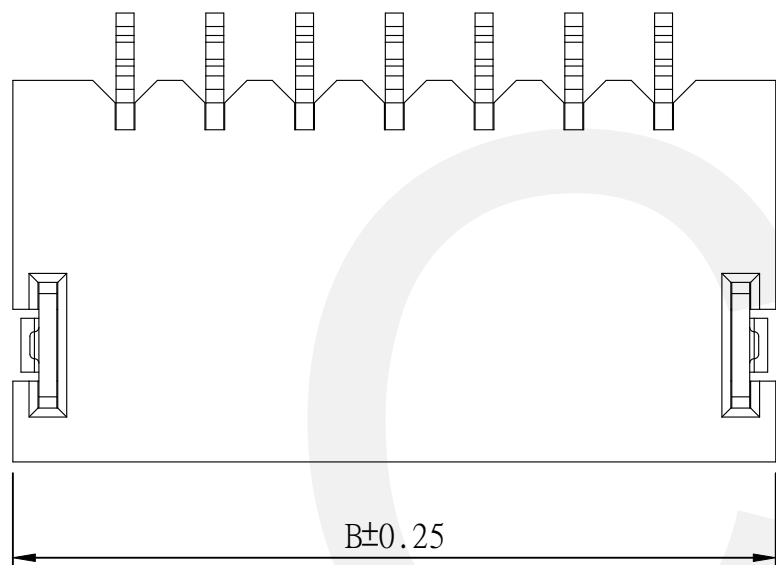


**Material:**

Base: High temperature plastic UL 94V-0, Color Nature

Contact: Copper alloy

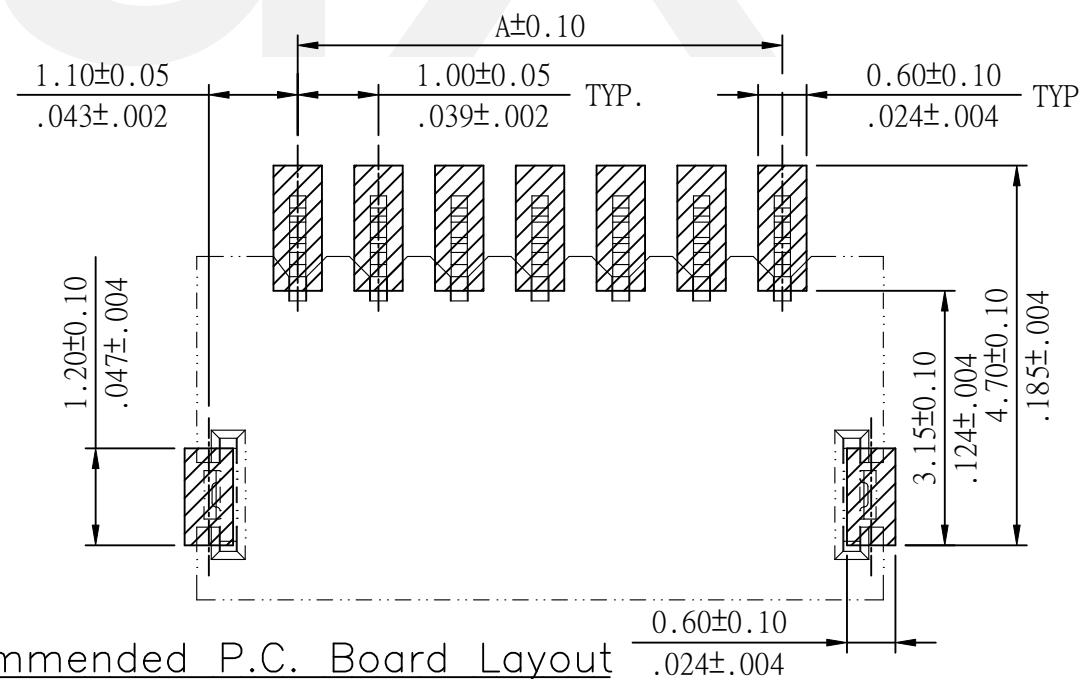
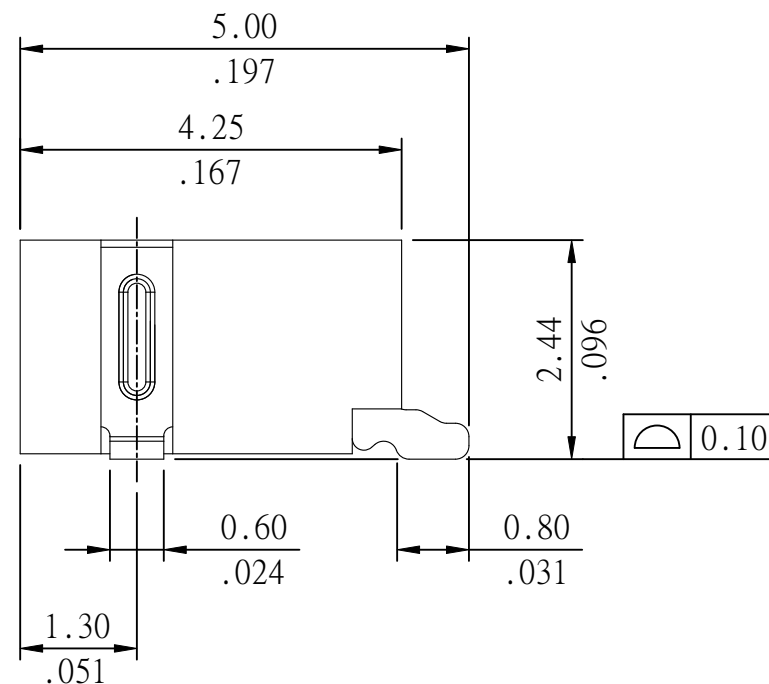
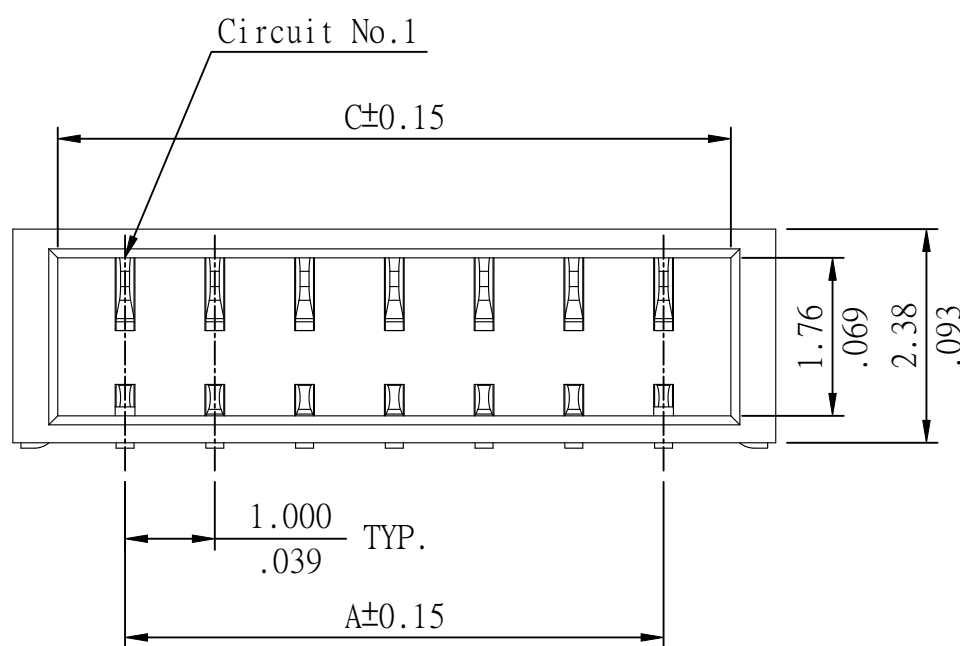
Tab: Copper alloy with Matte Tin plated



**Ordering Code:**

CI14 \*\* M 1 H R 0 -NH  
 ① ② ③ ④ ⑤ ⑥ ⑦ ⑧

- ① Series No.
- ② No. of Circuits: 2~20 Pin
- ③ M= SMT Type Wafer
- ④ Plating: 1= Matte Tin Plating over Nickel
- ⑤ Type: H= Side Entry



- ⑥ Packing Options: R= Tape & Reel packing
- ⑦ Option: 0= Standard
- ⑧ Other option:  
-NH= For Lead Free IR Processes and Halogen-Free

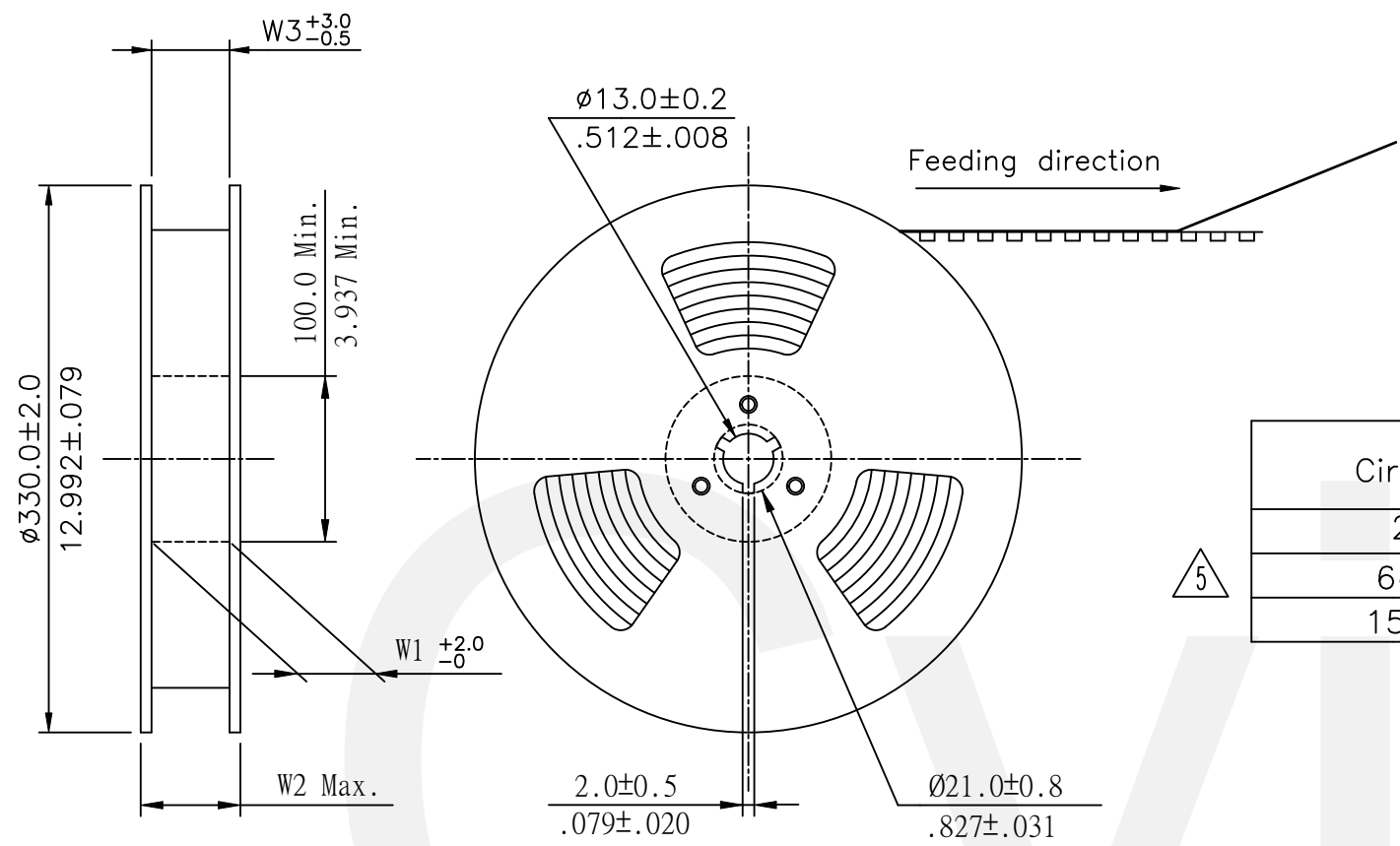
Circuits	Dimension			Circuits	Dimension		
	A	B	C		A	B	C
2	1.0(.039)	3.5(.138)	2.5(.098)	12	11.0(.433)	13.5(.531)	12.5(.492)
3	2.0(.079)	4.5(.177)	3.5(.138)	13	12.0(.472)	14.5(.571)	13.5(.531)
4	3.0(.118)	5.5(.216)	4.5(.177)	14	13.0(.512)	15.5(.610)	14.5(.571)
5	4.0(.157)	6.5(.256)	5.5(.216)	15	14.0(.551)	16.5(.650)	15.5(.610)
6	5.0(.197)	7.5(.295)	6.5(.256)	16	15.0(.591)	17.5(.689)	16.5(.650)
7	6.0(.236)	8.5(.335)	7.5(.295)	17	16.0(.630)	18.5(.728)	17.5(.689)
8	7.0(.276)	9.5(.374)	8.5(.335)	18	17.0(.669)	19.5(.768)	18.5(.728)
9	8.0(.315)	10.5(.413)	9.5(.374)	19	18.0(.709)	20.5(.807)	19.5(.768)
10	9.0(.354)	11.5(.453)	10.5(.413)	20	19.0(.748)	21.5(.846)	20.5(.807)
11	10.0(.394)	12.5(.492)	11.5(.453)				

Halogen-Free    Lead Free Process    RoHS Compliant

⑥	Amy	12/11-23'	ECNT123179/ECRB123029		DATE	UNIT: mm / inch	TITLE: 1.00MM(.079") WIRE TO BOARD CONNECTOR	瀚荃股份有限公司 CviLux Corporation
⑤	Ellie	6/3-15'	ECNT115129/ECRH115027	DRAWN BY:	Amy	12/11-23'	MATERIAL:	
④	Sun	7/11-11'	ECR10039-2/ECN11060	ENGINEER:	Sun	12/11-23'		
③	Sun	11/25-09'	ECN09565	CHECKED BY:	Eisley	12/11-23'	FINISH:	
SYM	NAME	DATE	REVISIONS	APPROVED BY:	Eisley	12/11-23'		

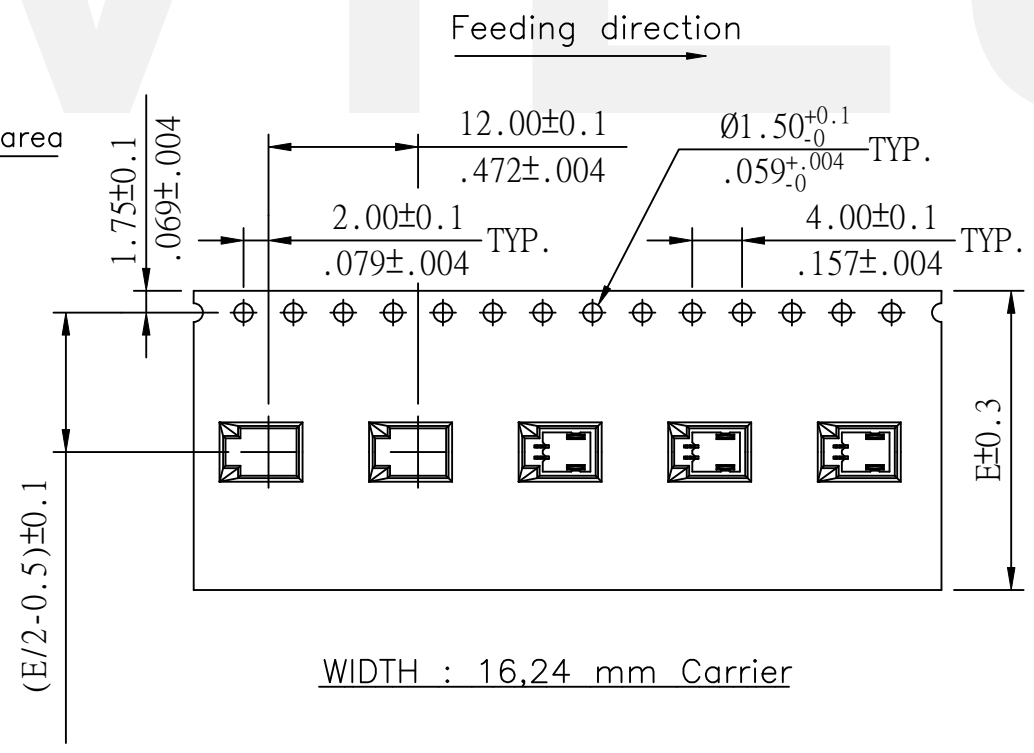
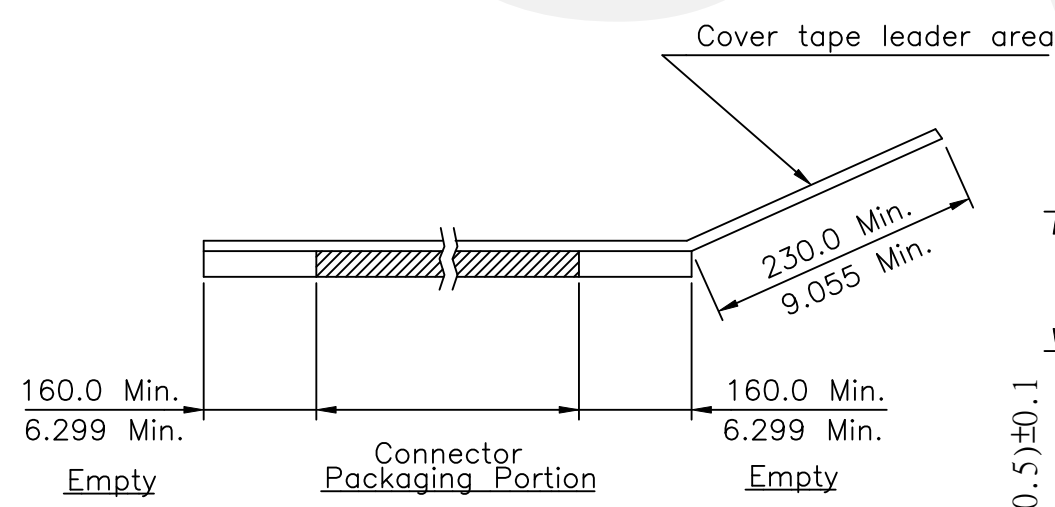
CviLux Corp  
 2023/12/26  
 ISSUED

DRAWING NO.	CI1404SE	PART NO.	CI14**M1HR0-NH
SCALE	8 / 1	SHEET	1 OF 2

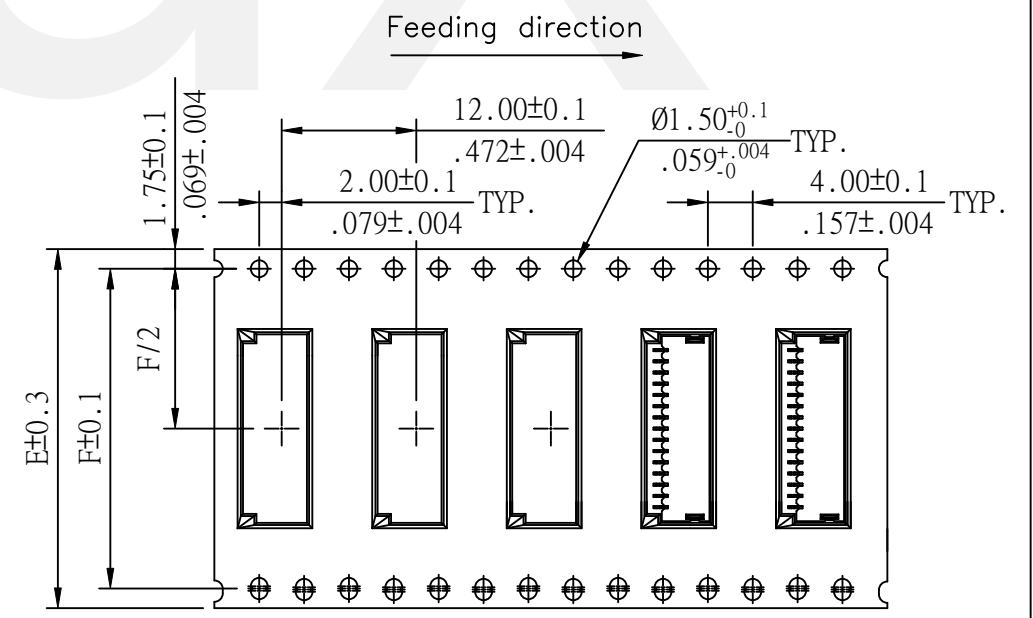


- NOTE :
- \* Reel Material : HIPS
  - \* Carrier Material : Clear, Conductive Polystyrene Alloy & Corrugated Paper
  - \* Cover Tape Material : Polyester
  - \* Cover Tape Peel Strength : 0.1N – 1.3N
  - \* Carrier camber is within 1mm in 250mm
  - \* All dimensions meet EIA-481 requirements.
  - \* Quantity : 2000 PCS/Reel

Circuits	Dimension					Packing (Reel/Carton)
	E	F	W1	W2	W3	
2~5	16.0	—	16.5	22.5	16.5	11
6~14	24.0	—	24.5	30.5	24.5	9
15~20	32.0	28.40	32.5	38.5	32.5	7



WIDTH : 16,24 mm Carrier



WIDTH : 32 mm Carrier

RoHS Compliant

6	Amy	12/11-23'	ECNT123179/ECRB123029		DATE	UNIT: mm / inch	TITLE: 1.25mm Side entry SMT Type Connector	瀚荃股份有限公司 CviLux Corporation					
5	Ellie	6/3-15'	ECNT115129/ECRH115027	DRAWN BY:	Amy	12/11-23'	TOLERANCE UNLESS OTHERWISE SPECIFIED					MATERIAL:	
4	Sun	7/11-11'	ECR10039-2/ECN11060	ENGINEER:	Sun	12/11-23'	.X ±	X' ± 1'	FINISH:	DRAWING NO.	CI1404SE	PART NO.	CI14**M1HR0-NH
3	Sun	11/25-09'	ECN09565	CHECKED BY:	Eisley	12/11-23'	.XX ±	.X' ±		SCALE		SHEET	2 OF 2
SYM	NAME	DATE	REVISIONS	APPROVED BY:	Eisley	12/11-23'	.XXX ±	.XX' ±					

CviLux Corp  
 2023/12/26  
 ISSUED