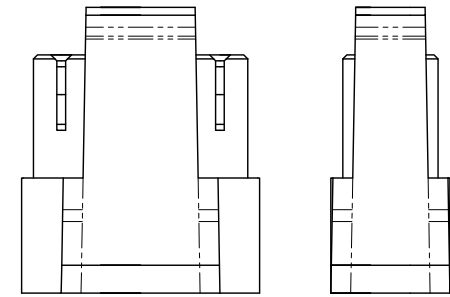


Material:
 △₂ NYLON 66 UL 94V-0,
 Color Nature

Ordering Code

$\frac{CI14}{①}$ $\frac{**}{②}$ $\frac{S}{③}$ $\frac{L000}{④}$ - $\frac{NH}{⑤}$

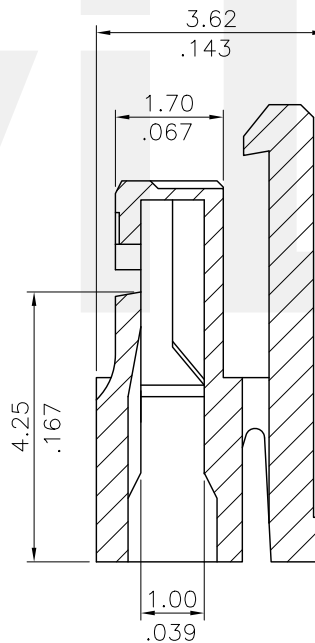
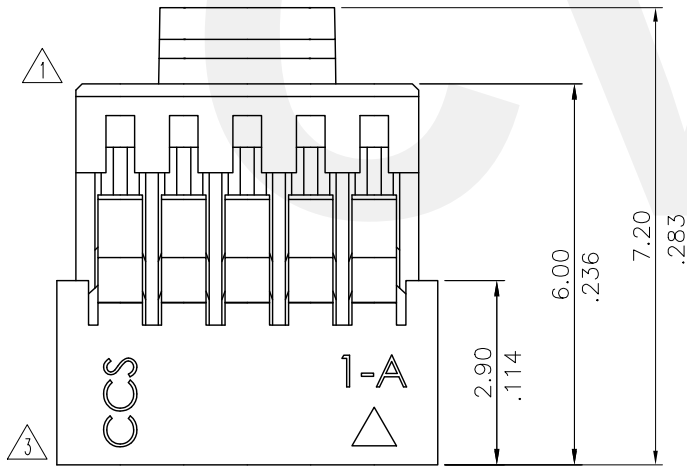
- ① Series No.
- ② No. of Circuits: 2~20 Pin
- ③ S= Connector housing
- ④ Other option:
L000= With Locking Latch
- ⑤ Other option:
-NH= Halogen-Free



FOR 4~20P

FOR 2~3P

BACK VIEW.
 SCALE: 5/1



DIM. A = 1.00 x NO. OF SPACES
 DIM. B = DIM. A + 2.00
 DIM. C = DIM. A + 1.40

* AVAILABLE IN 2 THROUGH 20 CIRCUITS

Halogen-Free

RoHS Compliant

△ ₄						DATE	UNIT: mm / inch	TITLE:	瀚荃股份有限公司 CviLux Corporation		
△ ₃	Sun	4/01-11'	ECR11003-2/ECN11063		DRAWN BY:	Sun	4/1-11'	TOLERANCE UNLESS OTHERWISE SPECIFIED		C14 SERIES HOUSING	
△ ₂	Tim	12/2-10'	ECN10392		ENGINEER:	Clark	4/7-11'	.X ± 0.25/.010 X' ± 1'		MATERIAL:	
△ ₁	Tim	8/17-10'	ECN10287		CHECKED BY:	Eisley	4/7-11'	.XX ± 0.15/.006 .X' ±		FINISH:	
SYM	NAME	DATE	REVISIONS		APPROVED BY:	David	4/7-11'	.XXX ± 0.08/.003 .XX' ±			
								DRAWING NO.	CI1411SD	PART NO.	CI14**SL000-NH
								SCALE	8 / 1	SHEET	1 OF 1