

Material:

* Insulation:

Base: Glass Filled Polyester UL 94V-0

* Contact: Phosphor Bronze

Ordering Code:

CA33 ** P 1 0 I 0 -NH
 ① ② ③ ④ ⑤ ⑥ ⑦ ⑧

① Series No.:

② No. of Circuits: 04 to 26

③ Contacts Type: P= Pin Header

④ Plating option:

1= 30u" Min. Tin Plated

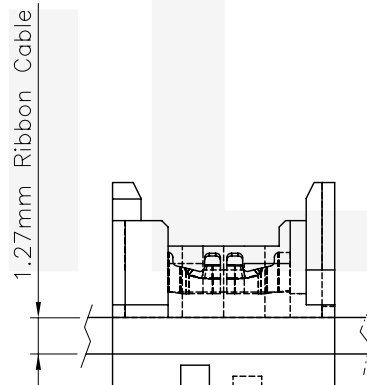
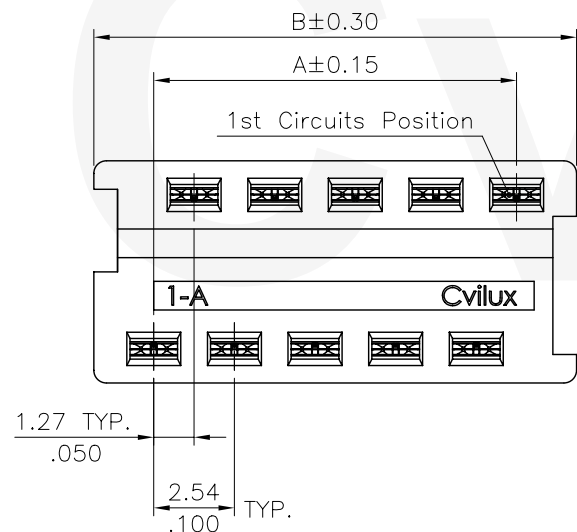
(Reflow Plated)

⑤ Color: 0= Nature

⑥ Type: I= IDC Type

⑦ Option: 0= Standard (Tube Packing)

⑧ NH= Halogen-Free



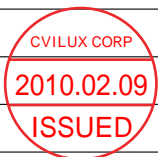
DIM.A= 1.27 x No. of Spaces

DIM.B= DIM.A + 3.78

*Available in 4 ~ 26 Circuits

Halogen-Free

RoHS compliant



4				DATE	UNIT: mm / inch	TITLE: 1.27mm Pitch IDC Type Connector
3				DRAWN BY: Clark	1/15-10'	MATERIAL:
2				ENGINEER: Clark	1/18-10'	
1				CHECKED BY: Eisley	1/22-10'	FINISH:
SYM	NAME	DATE	REVISIONS	APPROVED BY: David	1/22-10'	
					TOLERANCE UNLESS OTHERWISE SPECIFIED	
					.X ± 0.30/012 X' ± 1"	
					.XX ± 0.20/008 .X' ±	
					.XXX ± 0.10/004 .XX' ±	



瀚荃股份有限公司
CviLux Corporation

DRAWING NO.	CA3301SA	PART NO.	CA33**P10I0-NH
SCALE	4 / 1	SHEET	1 OF 1