

Material:

* Insulation:

Base: Glass filled polyester UL 94V-0

Contact: Brass

Ordering Code:

CA35 ** V 1 1 00 - NH
 ① ② ③ ④ ⑤ ⑥ ⑦

① Series No.:

② No. of Circuits: 04 to 26

③ Contacts Type: V= Straight Type

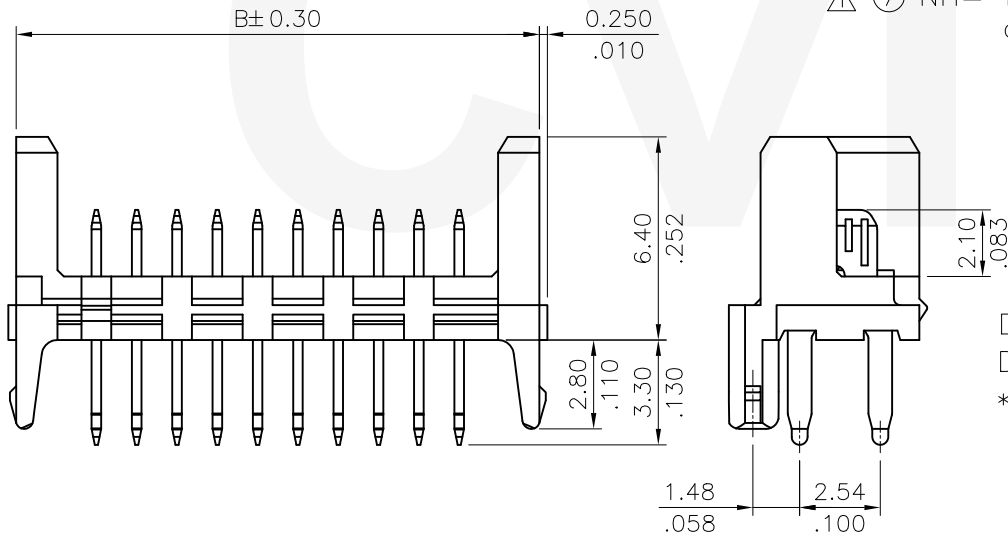
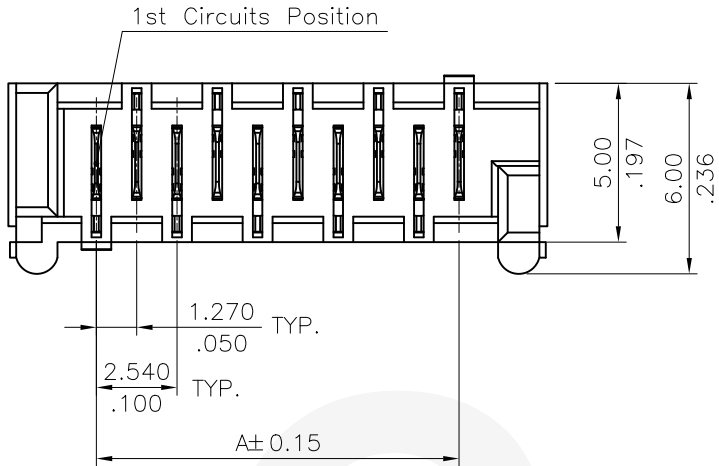
④ Plating option:

1= Matte Tin over Nickel plated

⑤ Color: 1= Black

⑥ Option: 00= Standard

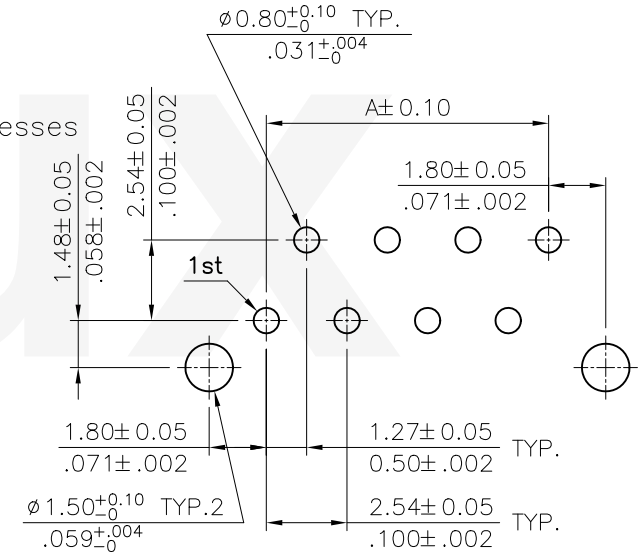
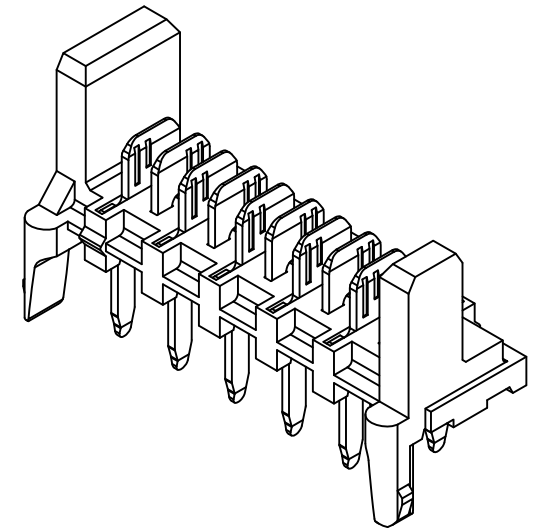
△ ⑦ NH= For Lead Free Wave flow Processes and Halogen-Free



DIM.A= 1.27 x No. of Spaces

DIM.B= DIM.A + 5.05

*Available in 4 ~ 26 Circuits




Recommended P.C. Board Layout

Halogen-Free

Lead Free Process

RoHS compliant

④					DATE	UNIT: mm / inch	TITLE: 1.27mm Pitch DIP V Type Connector	 瀚荃股份有限公司 CviLux Corporation
③				DRAWN BY: Sun	1/04-18'	TOLERANCE UNLESS OTHERWISE SPECIFIED	MATERIAL:	
②				ENGINEER: Sun	1/04-18'	.X ± 0.30/012 X: ± 1'	FINISH:	
①	Sun	1/04-18'	ECNT118002	CHECKED BY: Eisley	1/05-18'	.XX ± 0.20/008 X: ±	DRAWING NO. CA3502SB	
SYM	NAME	DATE	REVISIONS	APPROVED BY: Eisley	1/05-18'	.XXX ± 0.10/004 XX ±	PART NO. CA35**V1100-NH	DRAWING NO. CA3502SB
								SCALE 4 / 1
								SHEET 1 OF 1

