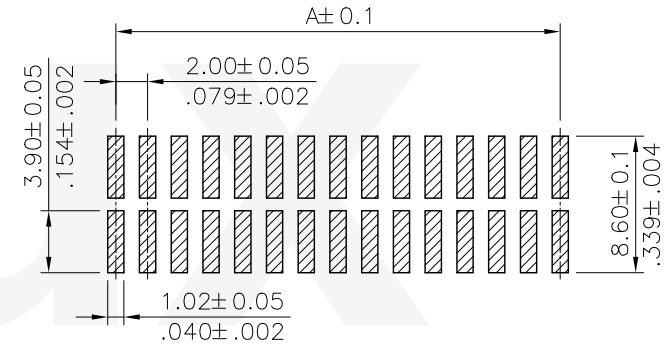
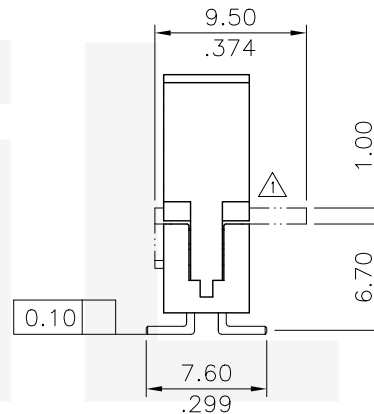
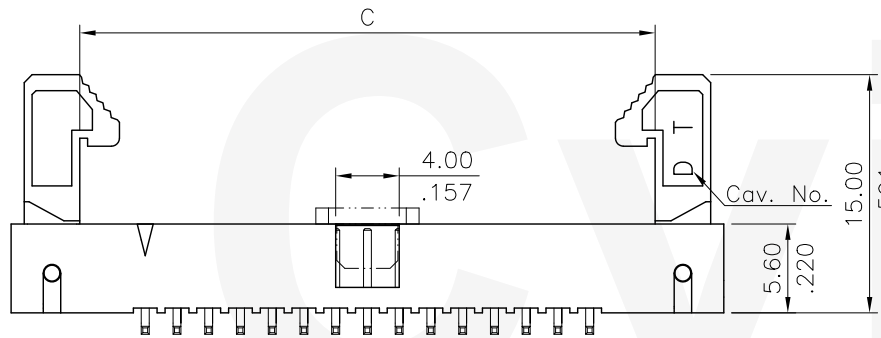


* Insulation: Nylon 6T UL 94V-0
 * Contact: Brass

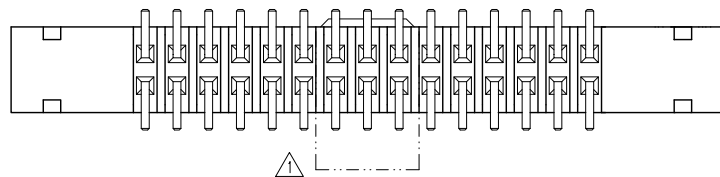
Ordering Code

CH70 ** D M 1 00
 ① ② ③ ④ ⑤ ⑥

- ① Series No.
- ② No. of Contacts:
- ③ Plating option:
 D= Selective 0.25μm(10μ") gold
 Plated over Nickel
- ④ M= With short latch/SMT
- ⑤ Color: 1= Black
- ⑥ Option Code:
 00= Without Pad (Standard)
 OP= With Pad



Recommended P.C. Board Layout



Circuits	Dimension		
	A	B	C
16	14.00(.551)	30.9(1.217)	22.25(.876)
26	24.00(.945)	40.9(1.610)	32.25(1.270)
50	48.00(1.890)	64.9(2.555)	56.25(2.215)

Lead Free Process

RoHS Compliant

④				 2011.12.13 ISSUED		DATE	UNIT: mm / inch	TITLE: 2.00MM(.079") STRAIGHT SMT DUAL ROW SHROUDED HEADER	 瀚荃股份有限公司 CviLux Corporation
③					DRAWN BY: Karen	11/29-11'	TOLERANCE UNLESS OTHERWISE SPECIFIED	MATERIAL:	
②					ENGINEER: Clark	12/8-11'	.X ± 0.30/.012 X: ± r	FINISH:	
①	Karen	11/29-11'	ECN11259/ECR11036-0		CHECKED BY: David	12/8-11'	.XX ± 0.20/.008 X: ±		
SYM	NAME	DATE	REVISIONS	APPROVED BY: David	12/8-11'	.XXX ± 0.10/.004 X: ±		DRAWING NO. CH7001SB	PART NO. CH70**DM10*
								SCALE 2 / 1	SHEET 1 OF 1