

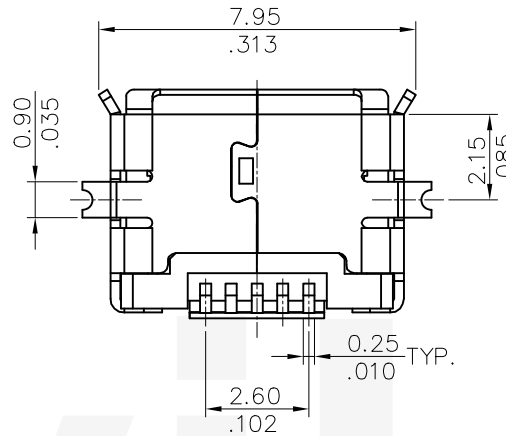
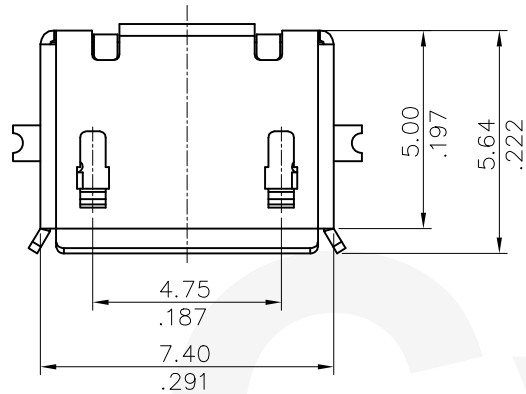
Notes :

- * Insulation: HI-TEMP PLASTIC UL 94V-0
- * Contacts: Copper Alloy
- * Shell: Copper Alloy With Tin Plating

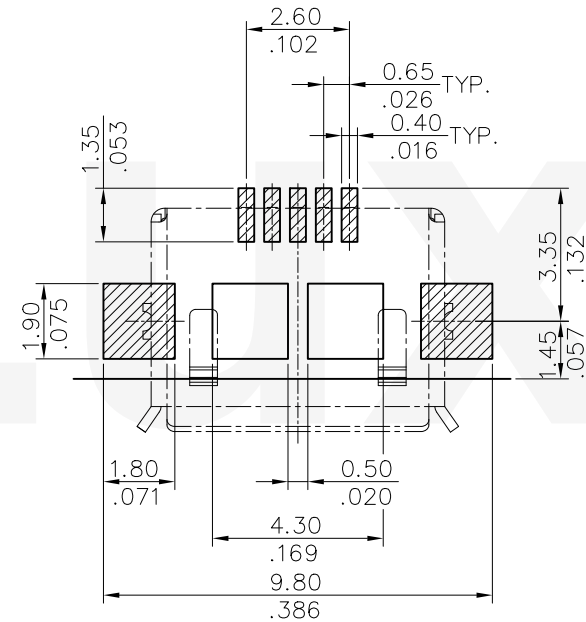
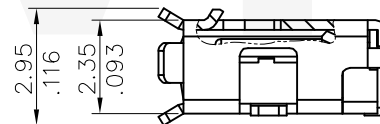
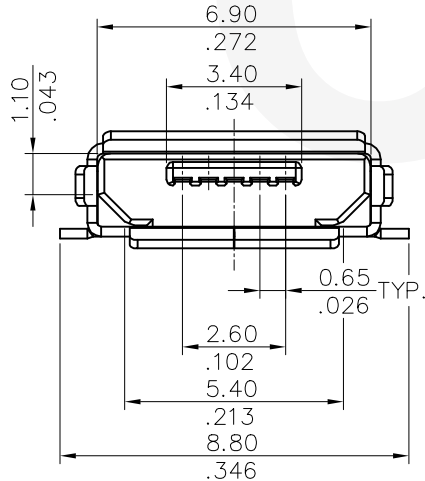
Ordering Code:

CU09 S 2 M 1 5 C 0
 ① ② ③ ④ ⑤ ⑥ ⑦ ⑧

- ① Series No.
- ② S= Socket
- ③ Plating option: 2= Gold flash plated over 1.27 μ m(50 μ "") Nickel
- ④ Tail style: M= SMT Type
- ⑤ Insulator Color: 1= Black
- ⑥ No of Circuits: 5= 5 Pin
- ⑦ Type: C= Micro USB 5 Pin Type-AB
- ⑧ Option: 0= Standard



Back View




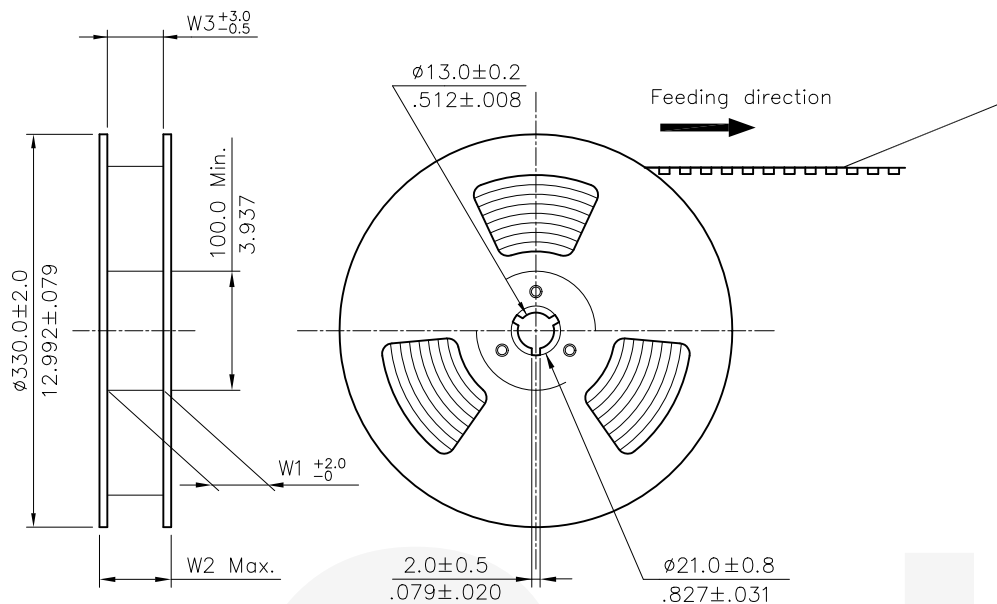
Recommended P.C. Board Layout
 TOP VIEW ± 0.05

Lead Free Process

RoHS Compliant

CVILUX CORP
 2016.02.18
 ISSUED

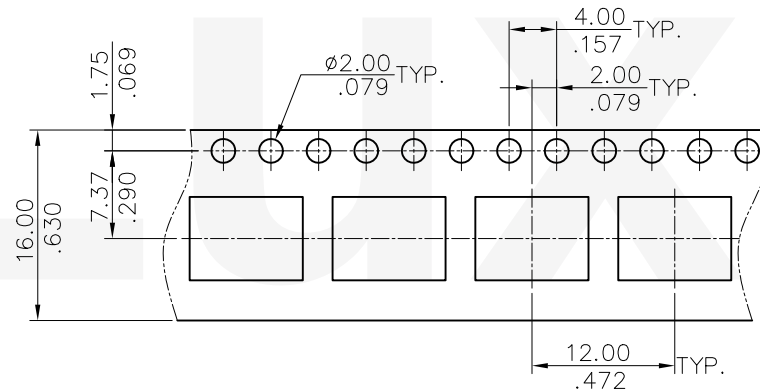
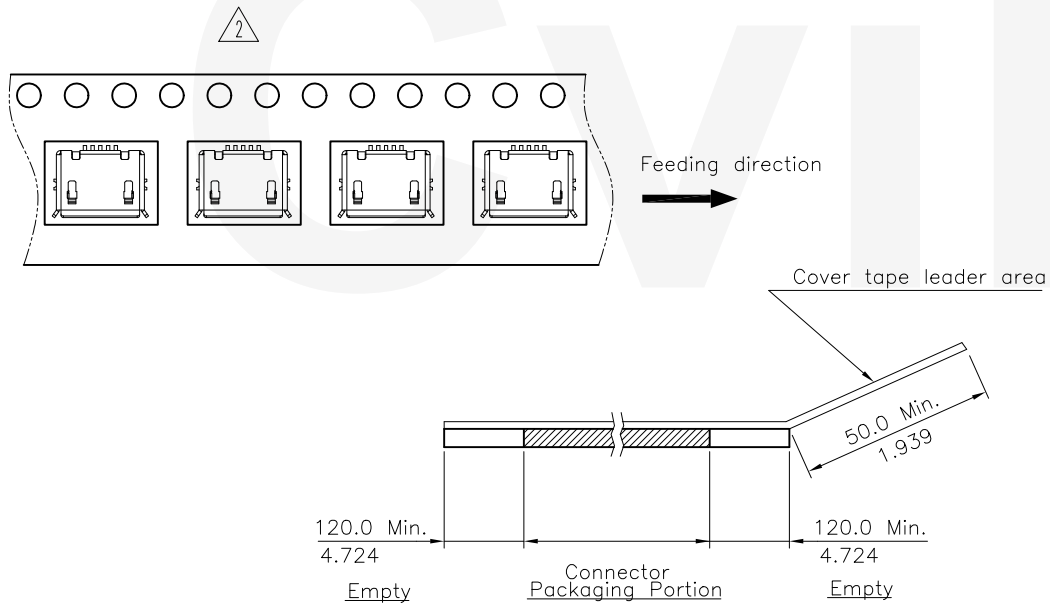
④					DATE	UNIT: mm / inch	TITLE: MICRO USB 5 PIN SMT BOARD MOUNT CONNECTOR (AB TYPE)	 瀚荃股份有限公司 CviLux Corporation
③				DRAWN BY: Karen	2/4-16'	TOLERANCE UNLESS OTHERWISE SPECIFIED	MATERIAL:	
②	Karen	2/01-16'	ECNT116016/ECRT116006	ENGINEER: Sun	2/05-16'	.X \pm 0.30/.012 X' \pm 3'		
①	Karen	7/18-15'	ECNT115150/ECRT115051	CHECKED BY: Eisley	2/16-16'	.XX \pm 0.20/.008 X' \pm	DRAWING NO. CU0904SC PART NO. CU09S2M15C0	
SYM	NAME	DATE	REVISIONS	APPROVED BY: Eisley	2/16-16'	.XXX \pm 0.10/.004 .XX' \pm	SCALE 5 / 1	SHEET 1 OF 2



NOTE :

- * Reel Material : HIPS
- * Carrier Material : Black, Conductive Polystyrene Alloy
- * Cover Tape Material : Polyester
- * Cover Tape Peel Strength : 0.1N – 1.3N
- * Carrier camber is within 1mm in 250mm
- * All dimensions meet EIA-481-B requirements.
- * Quantity : 1000 PCS/Reel

Dimension			Packing (Reel/Caton)
W1	W2	W3	
16.5(.650)	22.5(.886)	16.5(.650)	10



△2 WIDTH : 16 mm Carrier.

RoHS Compliant

△4																						
△3																						
△2	Karen	2/01-16'	ECNT116016/ECRT116006		DRAWN BY:	Karen	2/4-16'	UNIT: mm / inch TOLERANCE UNLESS OTHERWISE SPECIFIED .X ± 0.30/.012 X' ± 3' .XX ± 0.20/.008 .X' ± .XXX ± 0.10/.004 .XX' ±	TITLE: MICRO USB 5 PIN SMT BOARD MOUNT CONNECTOR (AB TYPE)		瀚荃股份有限公司 CviLux Corporation											
△1	Karen	7/18-15'	ECNT115150/ECRT115051		CHECKED BY:	Eisley	2/16-16'											MATERIAL:	DRAWING NO.	CU0904SC	PART NO.	CU09S2M15C0
SYM	NAME	DATE	REVISIONS		APPROVED BY:	Eisley	2/16-16'											FINISH:	SCALE		SHEET	2 OF 2