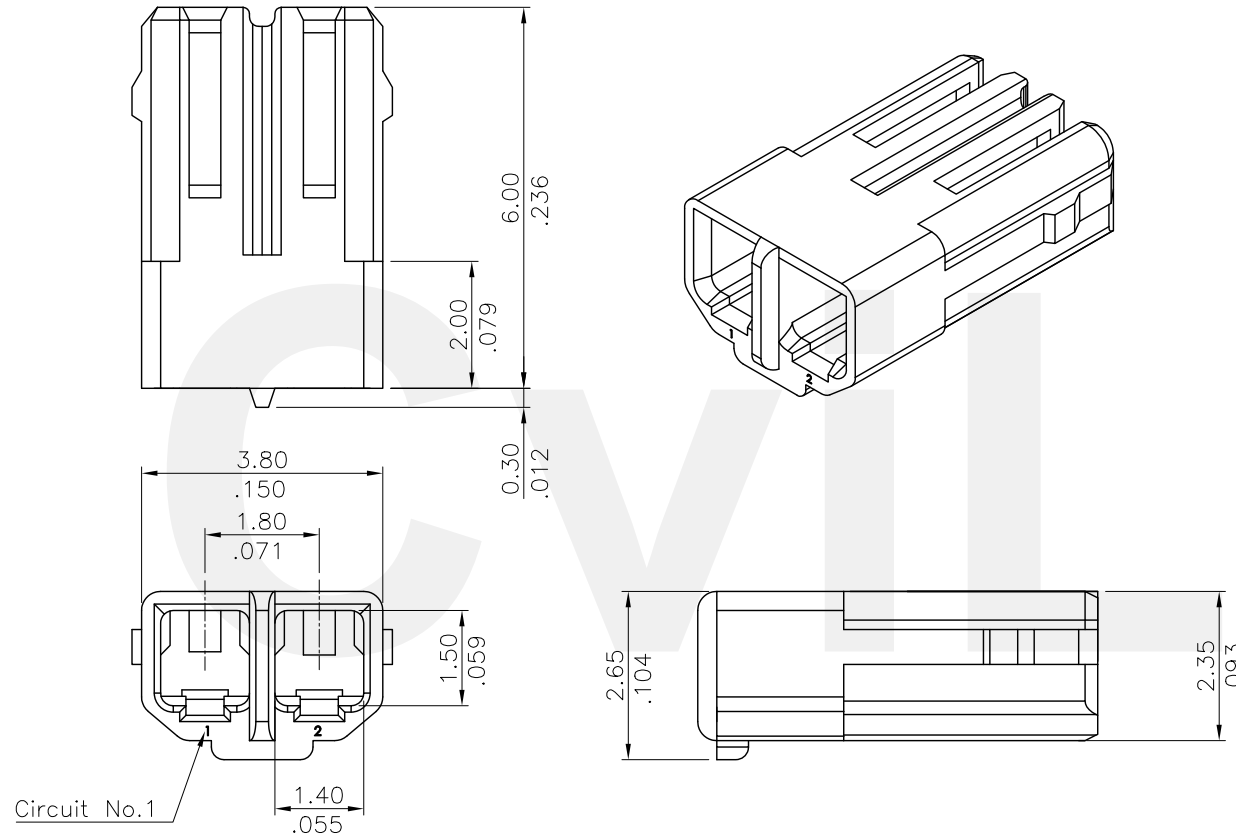


Material:
Polyamide UL 94V-0,
Color Nature

Ordering Code

CI07 02 S 0000
① ② ③ ④

- ① Series No.
- ② No. of Circuits: 2 Pin
- ③ S= Connector housing
- ④ Other option:
0000= Standard



Halogen-Free
RoHS Compliant

④						DATE	UNIT: mm / inch	TITLE:	瀚荃股份有限公司 CviLux Corporation	
③			DRAWN BY: Tim		9/24-10'	TOLERANCE UNLESS OTHERWISE SPECIFIED	CI07 SERIES HOUSING			
②			ENGINEER: Eisley		9/27-10'	.X ± 0.30/.010 X.* ± 1'	MATERIAL:			
①	Tim	9/24-10'	CHECKED BY: David		9/27-10'	.XX ± 0.15/.006 .X* ±	FINISH:			
SYM	NAME	DATE	REVISIONS	APPROVED BY: David	9/27-10'	.XXX ± 0.08/.003 .XX* ±	DRAWING NO. CI0702SA	PART NO. CI0702S0000	SCALE 8 / 1	SHEET 1 OF 1