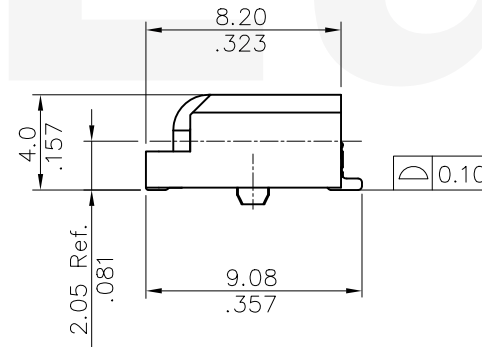
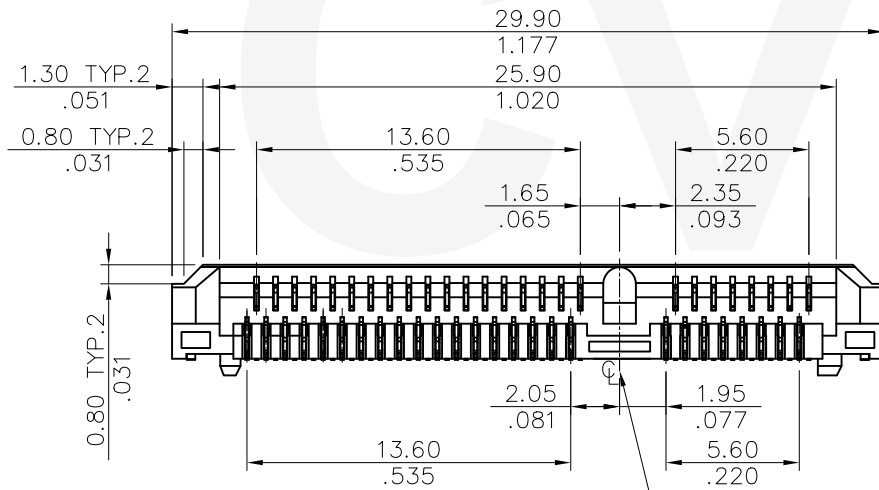


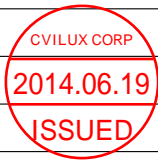
BACK VIEW

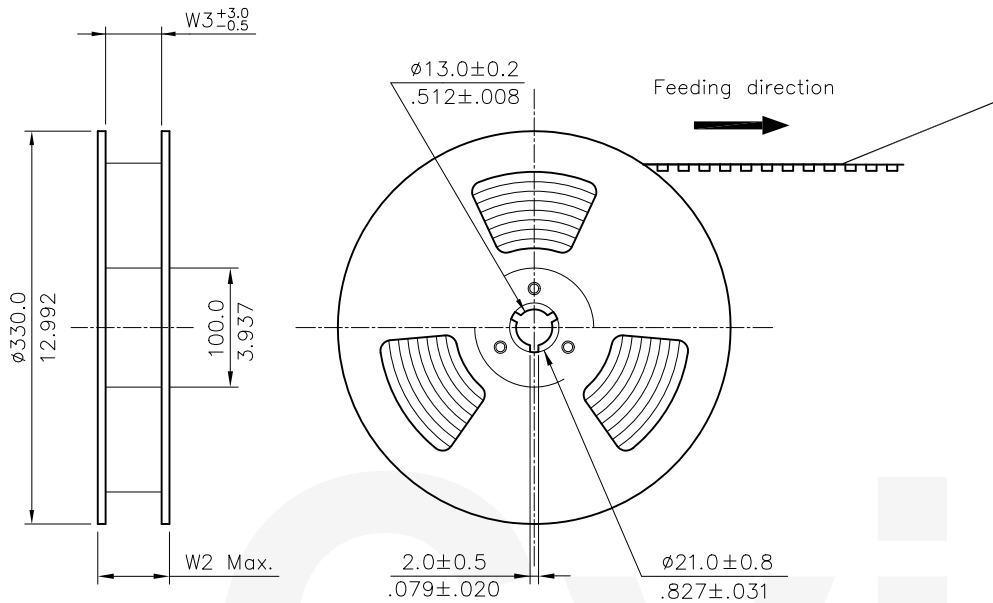


OF INSERTED
CARD KEY

Lead Free Process RoHS Compliant

4					DATE	UNIT: mm / inch	TITLE:	瀚荃股份有限公司 CviLux Corporation
3					DRAWN BY: Karen	6/16-14'	0.80mm PITCH MINI PCI SMT TYPE	
2					ENGINEER: Karen	6/16-14'	TOLERANCE UNLESS OTHERWISE SPECIFIED	MATERIAL: FINISH:
1	Karen	6/16-14'	ECRT114039/ECNT114118		CHECKED BY: Eisley	6/17-14'	.X ±0.30/.012 .X' ± 7'	
SYM	NAME	DATE	REVISIONS		APPROVED BY: Eisley	6/17-14'	.XX ±0.20/.008 .X' ± 4'	
							.XXX ±0.15/.006 .XX' ± 3'	DRAWING NO. CS5902SB PART NO. CS5952MA1R0
								SCALE 3 / 1 SHEET 1 OF 3

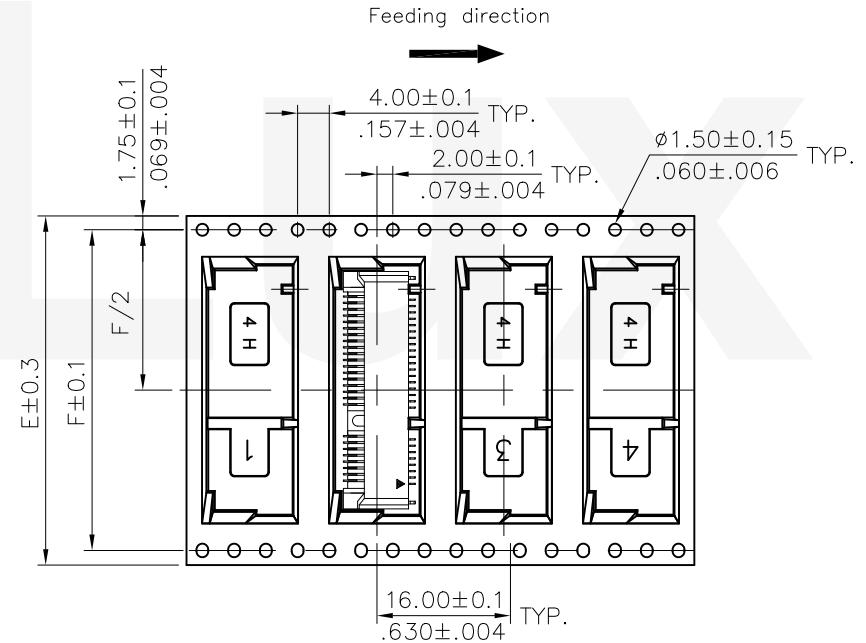
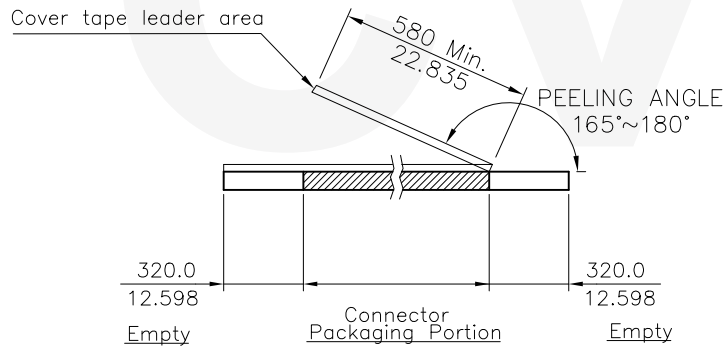




NOTE :


- * Reel Material : HIPS
- * Carrier Material : Clear, Conductive Polystyrene Alloy
- * Cover Tape Material : Polyester
- * Cover Tape Peel Strength : 0.1N – 1.3N
- * Carrier camber is within 1mm in 100mm
- * All dimensions meet EIA-481-2 & EIA-481-3 requirements.
- * Quantity : 650 PCS/Reel

Dimension				Packing (Reel/Caton)
E	F	W2	W3	
44.0(1.732)	40.40(1.596)	47.4(1.866)	44.4(1.748)	6



WIDTH : 44mm Carrier

RoHS Compliant

SYM	NAME	DATE	REVISIONS	APPROVED BY:	DATE	UNIT: mm / inch	TITLE:	MATERIAL:			
4						UNIT: mm / inch	0.80mm PITCH MINI PCI SMT TYPE	 瀚荃股份有限公司 CviLux Corporation			
3						TOLERANCE UNLESS OTHERWISE SPECIFIED					
5						.X ±	.X' ±	DRAWING NO.	CS5902SB	PART NO.	CS5952MA1R0
1	Karen	6/16-14'	ECRT114039/ECNT114118	CHECKED BY:	Eisley	.XX ±	.X' ±	SCALE		SHEET	3 OF 3
				APPROVED BY:	Eisley	.XXX ±	.XX' ±				

CIVILUX CORP
 2014.06.19
 ISSUED