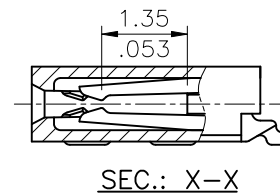
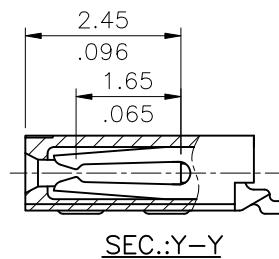
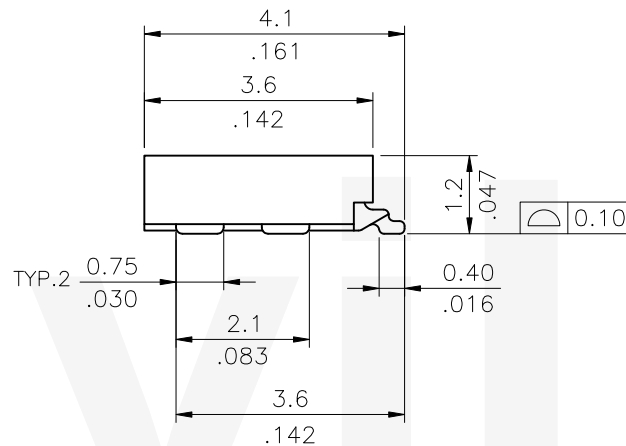


Dim.A = 0.50 x No. of Spaces  
 Dim.B = DIM.A + 2.5  
 Dim.C = DIM.A + 1.0  
 Available in 4 ~ 20 & 22 & 24 Circuits



Material :

- \* Body : LCP With 30% G.F UL 94V-0  
Color Nature
- \* Contact : Copper alloy
- \* Fixed tab : Copper alloy With Matte Tin plated

Ordering Code

CF27 \*\* 1 H 0 \* 0 -NH  
 ① ② ③ ④ ⑤ ⑥ ⑦ ⑧

- ① Series No.
- ② No. of Circuits
- ③ Plating code:  
1= 3.05μm(120μ") Min. Matte Tin over 0.76μm(30μ") Nickel  
2= Gold flash plated over 50μ"min. Nickel
- ④ Contact style: H= Side Entry
- ⑤ Color: 0= Nature
- ⑥ Packing option: R= Tape & Reel  
T= Tube Packing
- ⑦ Option: 0= Standard
- ⑧ Process:  
-NH= For Lead Free soldering process and Halogen-Free

Lead Free Process

Halogen-Free

RoHS compliant

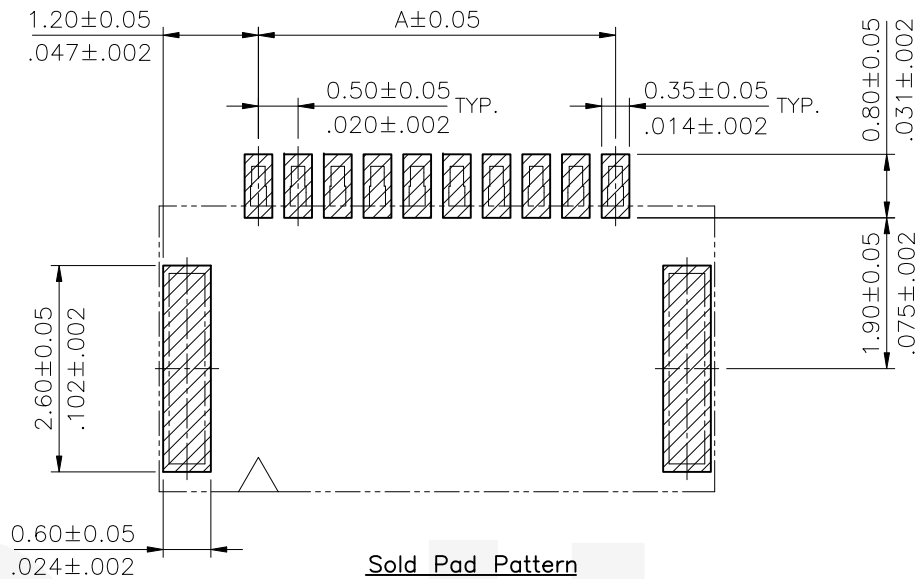
④	Ken	11/27-18	ECNT118278/ECRH118041		DATE	UNIT: mm / inch	TITLE: 0.50mm(.031") LIF FFC/FPC CONNECTOR
③	Karen	7/20-18'	ECNT118162/ECRT118038	DRAWN BY: Ken	11/27-18'	TOLERANCE UNLESS OTHERWISE SPECIFIED	
②	Hank	9/19-17'	ECNT117154/ECRT117042	ENGINEER: Sun	11/28-18'	.X ± 0.20/.008 X' ± 1'	MATERIAL:
①	Enya	1/6-14'	ECNT114004	CHECKED BY: Eisley	11/28-18'	.XX ± 0.15/.006 .X' ±	
SYM	NAME	DATE	REVISIONS	APPROVED BY: Eisley	11/28-18'	.XXX ± 0.10/.004 .XX' ±	

**CVILUX CORP**  
**2018.11.30**  
**ISSUED**

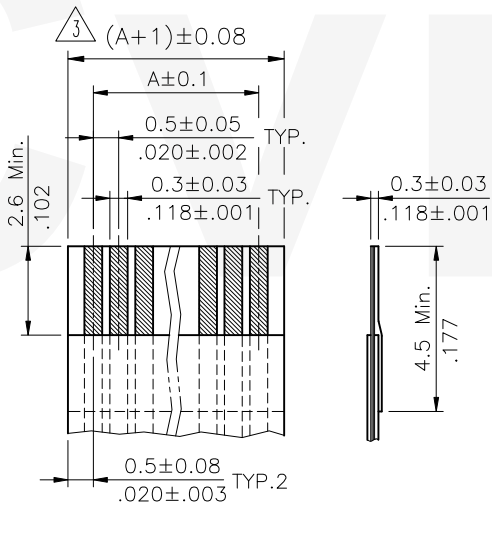


瀚荃股份有限公司  
 CviLux Corporation

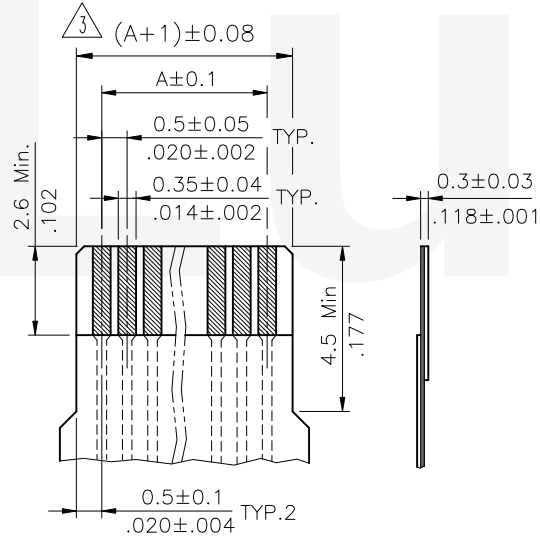
DRAWING NO.	CF2701SE	PART NO.	CF27**1H0*0-NH
SCALE	8 / 1	SHEET	1 OF 3



Sold Pad Pattern




Accommodated FFC



Accommodated FPC

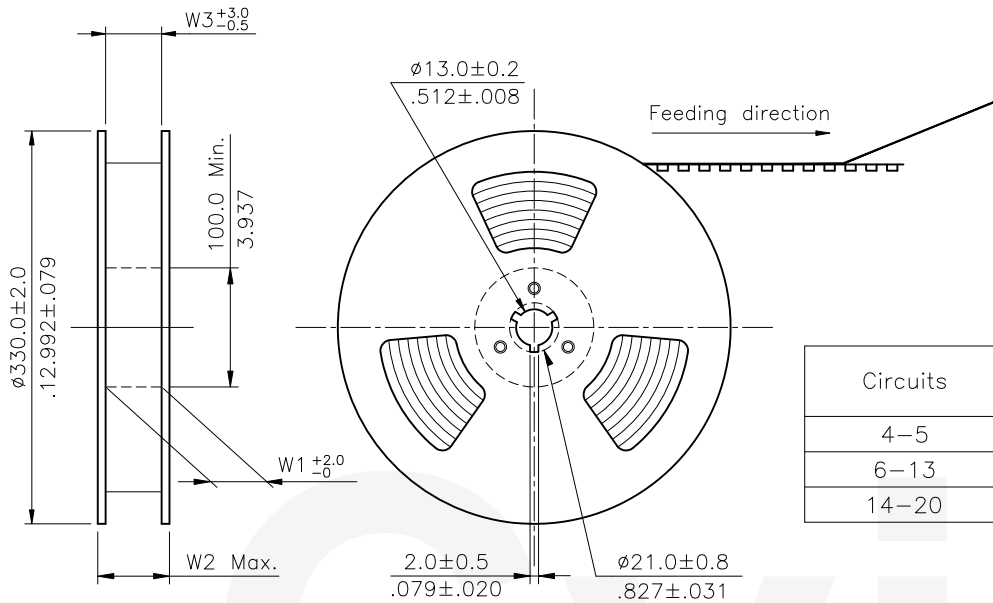
RoHS Compliant

4	Ken	11/27-18	ECNT118278/ECRH118041		DATE	UNIT: mm / inch	TITLE: 0.50mm(.031") LIF FFC/FPC CONNECTOR	 瀚荃股份有限公司 CviLux Corporation	
3	Karen	7/20-18'	ECNT118162/ECRT118038	DRAWN BY: Ken	11/27-18'	TOLERANCE UNLESS OTHERWISE SPECIFIED			
2	Hank	9/19-17'	ECNT117154/ECRT117042	ENGINEER: Sun	11/28-18'	.X ± 0.20/.008 X' ± 1'	MATERIAL:	DRAWING NO. CF2701SE PART NO. CF27***H0*0-NH	
1	Enya	1/6-14'	ECNT114004	CHECKED BY: Eisley	11/28-18'	.XX ± 0.15/.006 X' ±			FINISH:
SYM	NAME	DATE	REVISIONS	APPROVED BY: Eisley	11/28-18'	.XXX ± 0.10/.004 X' ±	SCALE	8 / 1	

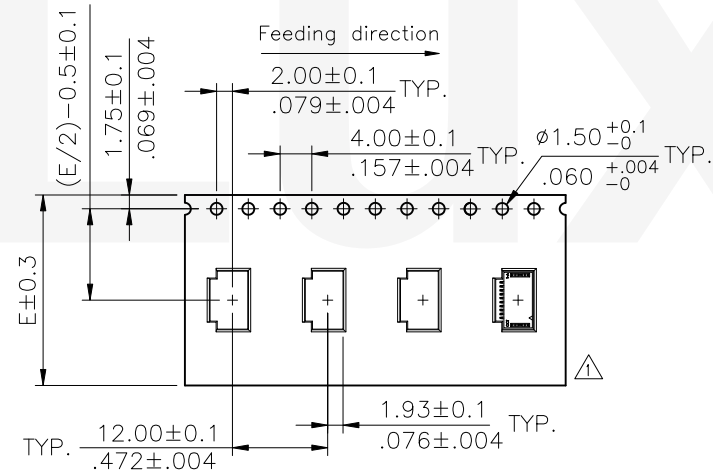
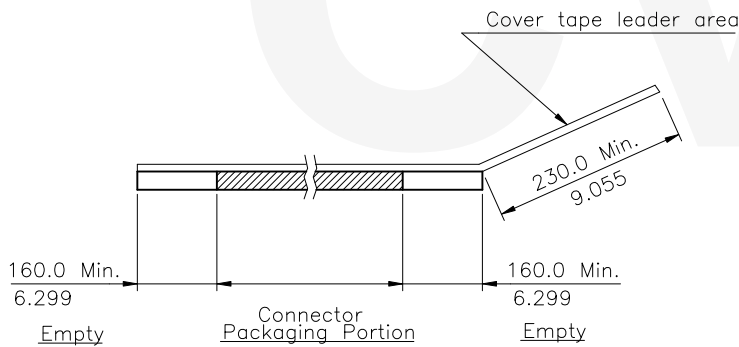
CVILUX CORP  
2018.11.30  
ISSUED

NOTE :

- △ \* Reel Material : Corrugated Paper
- \* Carrier Material : Clear, Conductive Polystyrene Alloy
- \* Cover Tape Material : Polyester
- \* Cover Tape Peel Strength : 0.1N – 1.3N
- \* Carrier camber is within 1mm in 100mm
- \* All dimensions meet EIA-481-2 & EIA-481-3 requirements
- \* Quantity : 3300 PCS/Reel



Circuits	Dimension					Packing (Reel/Carton)
	E	F	W1	W2	W3	
4-5	12.0(.472)	-	12.5(.492)	18.5(.728)	12.5(.492)	13
6-13	16.0(.630)	-	16.5(.650)	22.5(.886)	16.5(.650)	11
14-20	24.0(.945)	-	24.5(.965)	30.5(1.201)	24.5(.965)	9



WIDTH : 12.16,24 mm Carrier

RoHS Compliant

SYM	NAME	DATE	REVISIONS	APPROVED BY:	DATE	UNIT: mm / inch	TITLE: 0.50mm(.031") LIF FFC/FPC CONNECTOR	MATERIAL:	FINISH:	DRAWING NO. CF2701SE	PART NO. CF27***H0*0-NH	SHEET 3 OF 3
4	Ken	11/27-18	ECNT118278/ECRH118041			UNIT: mm / inch						
3	Karen	7/20-18'	ECNT118162/ECRT118038	DRAWN BY: Ken	11/27-18'	TOLERANCE UNLESS OTHERWISE SPECIFIED						
2	Hank	9/19-17'	ECNT117154/ECRT117042	ENGINEER: Sun	11/28-18'	.X ±	X' ± 1'					
1	Enya	1/6-14'	ECNT114004	CHECKED BY: Eisley	11/28-18'	.XX ±	.X ±					
				APPROVED BY: Eisley	11/28-18'	.XXX ±	.XX ±					

2018.11.30  
 ISSUED

瀚荃股份有限公司  
CviLux Corporation