

Material :

- * Base: High temperature plastic UL 94V-0, Color Nature
- * Cover: High temperature plastic UL 94V-0, Color Black
- * Contact: Phosphor Bronze
- * Fixed tab: Brass with Matte Tin Plated over Nickel

Ordering Code

CF31 ** * D 0 R * -10 -NH
 ① ② ③ ④ ⑤ ⑥ ⑦ ⑧ ⑨

① Series No.

② No. of Circuits:

△ ③ Plating code:

1= 2.50μm(100μ") Min. Matte Tin plated over 1.27μm(50μ") Min. Nickel

2= Gold flash over 1.27μm(50μ") Min. Nickel

B= Contact area:0.38μm(15μ")Min. Gold plated
 Solder area:0.03μm(1.2μ") Min. Gold Flash over all 1.27μm(50μ") Min. Nickel

④ Contact style: D= Downside contact

⑤ 0= Color Nature

⑥ Packing: R= Tape & Reel

⑦ Option: 0= Without Mylar, E=3.20mm , F=1.40

1= With Mylar, E=3.20mm , F=1.40

2= Without Mylar, E=2.85mm , F=1.50

3= With Mylar, E=2.85mm , F=1.50

⑧ -10= 1.0 Pitch

⑨ -NH= For Lead Free IR Reflow Processed and Halogen Free

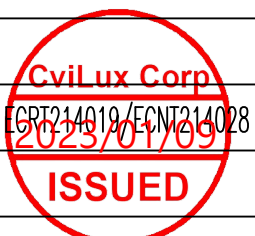
COVER OPEN STATE

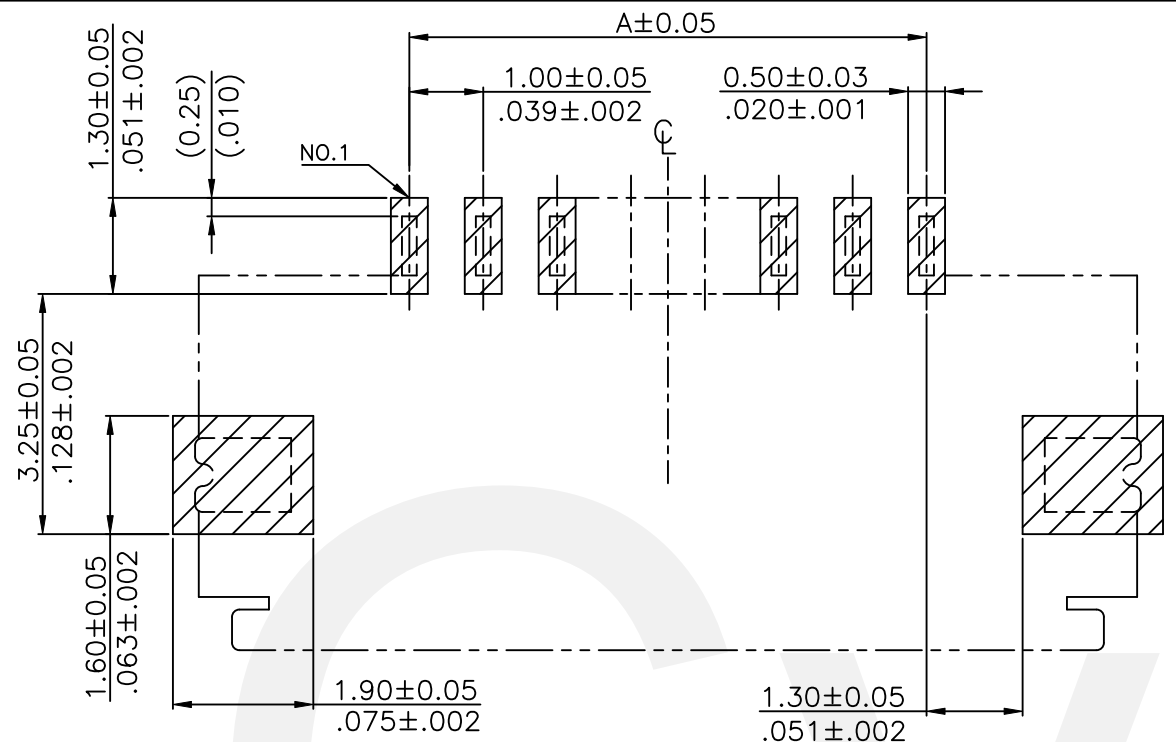
Halogen-Free

Lead Free Process

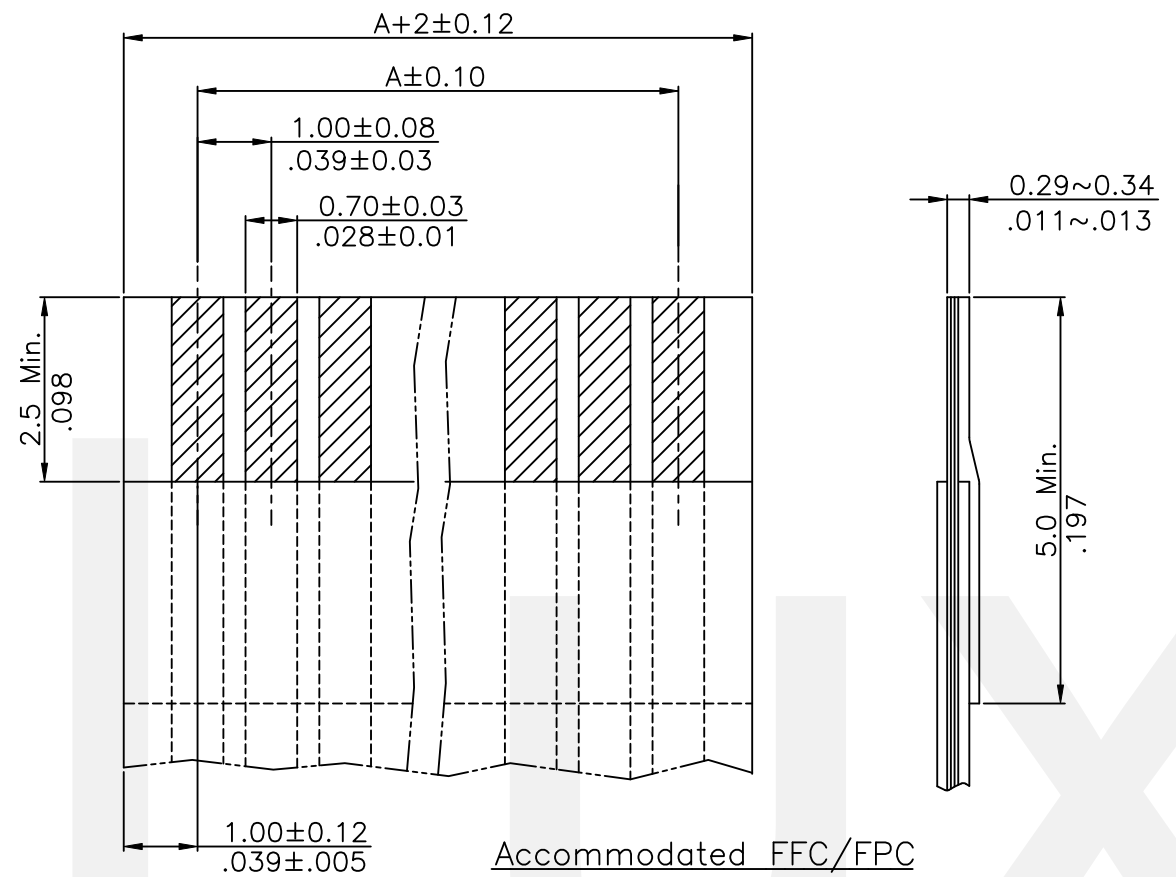
RoHS Compliant

⑦	Sun	1/3-23'	ECNT122023/ECRH122003		DATE	UNIT: mm / inch	TITLE: 1.00mm(.039") ZIF FFC/FPC ONE-TOUCH CONNECTOR	 瀚荃股份有限公司 CviLux Corporation			
⑥	Eric	2/8-22'	ECNT122023/ECRH122003	DRAWN BY:	Sun	1/3-23'	TOLERANCE UNLESS OTHERWISE SPECIFIED				
⑤	Claire	6/19-14'	ECRT214014/ECNT214025	ENGINEER:	Sun	1/3-23'	.X ± 0.25/.009 X' ±				
④	Claire	2/24-14'	ECNT214009	CHECKED BY:	Eisley	1/3-23'	.XX ± 0.15/.006 X' ± 1'				
SYM	NAME	DATE	REVISIONS	APPROVED BY:	Eisley	1/3-23'	.XXX ± XX' ±	MATERIAL: FINISH:			
								DRAWING NO.	CF3102SH	PART NO.	CF31***DOR*-10-NH
								SCALE	10 / 1	SHEET	1 OF 3

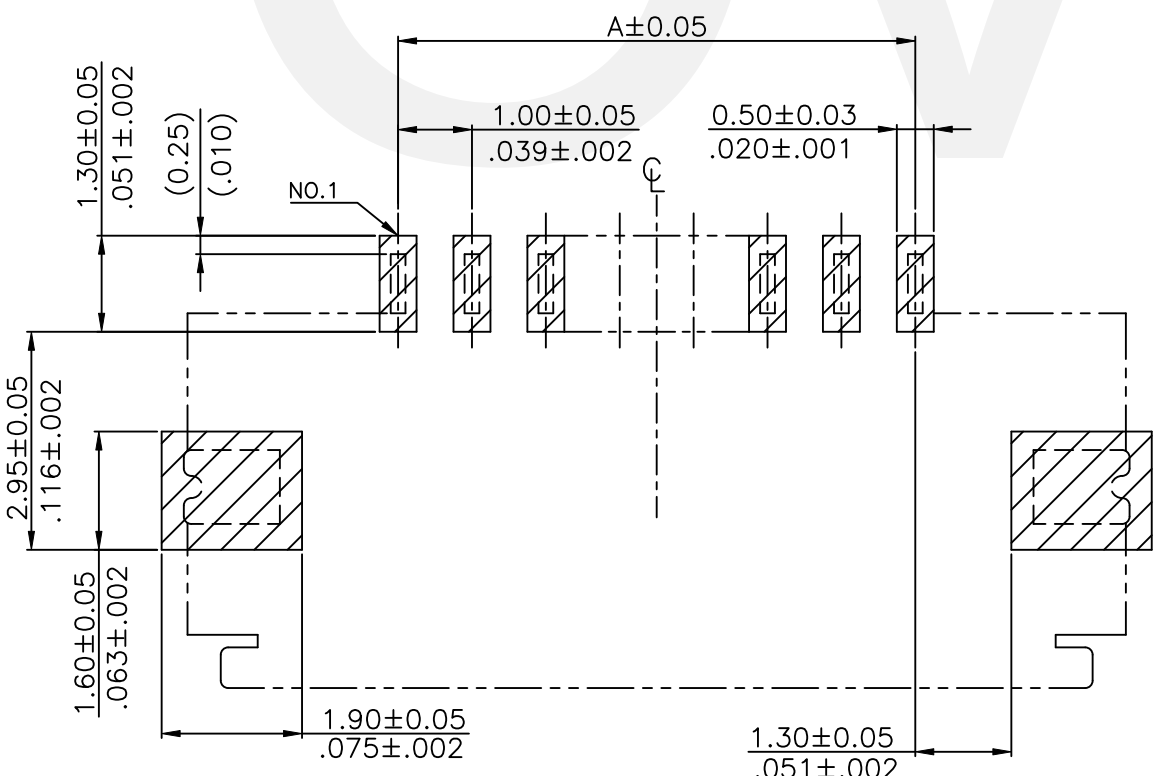




CF31***D0*0-10-NH & CF31***D0*1-10-NH
Recommended P.C. Board Layout




Accommodated FFC/FPC



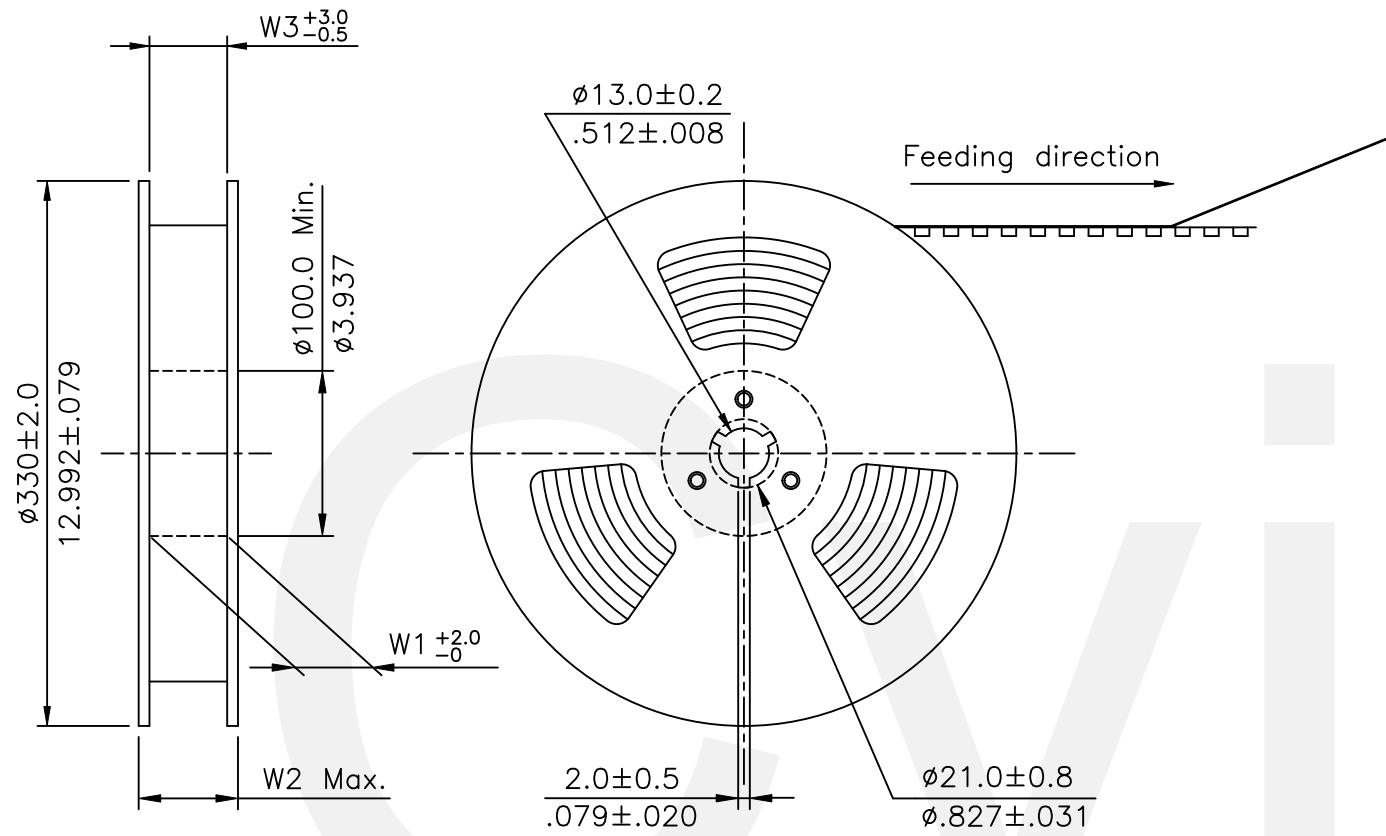
CF31***D0*2-10-NH & CF31***D0*3-10-NH
Recommended P.C. Board Layout

Circuits	Dimension				Circuits	Dimension			
	A	B	C	D		A	B	C	D
4	3.00(.118)	8.70(.343)	5.10(.201)	8.80(.346)	18	17.00(.669)	22.70(.894)	19.10(.752)	22.80(.898)
5	4.00(.157)	9.70(.382)	6.10(.240)	9.80(.386)	19	18.00(.709)	23.70(.933)	20.10(.791)	23.80(.937)
6	5.00(.197)	10.70(.421)	7.10(.280)	10.80(.425)	20	19.00(.748)	24.70(.972)	21.10(.831)	24.80(.976)
7	6.00(.236)	11.70(.461)	8.10(.319)	11.80(.465)	21	20.00(.787)	25.70(1.012)	22.10(.870)	25.80(1.016)
8	7.00(.276)	12.70(.500)	9.10(.358)	12.80(.504)	22	21.00(.827)	26.70(1.051)	23.10(.909)	26.80(1.055)
9	8.00(.315)	13.70(.539)	10.10(.398)	13.80(.543)	23	22.00(.866)	27.70(1.091)	24.10(.949)	27.80(1.094)
10	9.00(.354)	14.70(.579)	11.10(.437)	14.80(.583)	24	23.00(.906)	28.70(1.130)	25.10(.988)	28.80(1.134)
11	10.00(.394)	15.70(.618)	12.10(.476)	15.80(.622)	25	24.00(.945)	29.70(1.169)	26.10(1.028)	29.80(1.173)
12	11.00(.433)	16.70(.657)	13.10(.516)	16.80(.661)	26	25.00(.984)	30.70(1.209)	27.10(1.067)	30.80(1.213)
13	12.00(.472)	17.70(.697)	14.10(.555)	17.80(.704)	27	26.00(1.024)	31.70(1.248)	28.10(1.106)	31.80(1.252)
14	13.00(.512)	18.70(.736)	15.10(.594)	18.80(.740)	28	27.00(1.063)	32.70(1.287)	29.10(1.146)	32.80(1.291)
15	14.00(.551)	19.70(.776)	16.10(.634)	19.80(.780)	29	28.00(1.102)	33.70(1.327)	30.10(1.185)	33.80(1.331)
16	15.00(.591)	20.70(.815)	17.10(.673)	20.80(.891)	30	29.00(1.142)	34.70(1.366)	31.10(1.224)	34.80(1.370)
17	16.00(.630)	21.70(.854)	18.10(.713)	21.80(.858)					

Halogen-Free Lead Free Process RoHS Compliant

7	Sun	1/3-23'	ECNT122023/ECRH122003		DATE	UNIT: mm / inch	TITLE: 1.00mm(.039") ZIF FFC/FPC ONE-TOUCH CONNECTOR	 瀚荃股份有限公司 CviLux Corporation
6	Eric	2/8-22'	ECNT122023/ECRH122003	DRAWN BY: Sun	1/3-23'	TOLERANCE UNLESS OTHERWISE SPECIFIED		
5	Claire	6/19-14'	ECRT214014/ECNT214025	ENGINEER: Sun	1/3-23'	.X ± 0.25/.009 X' ±	MATERIAL:	
4	Claire	2/24-14'	ECNT214009	CHECKED BY: Eisley	1/3-23'	.XX ± 0.15/.006 X' ± 1'	FINISH:	DRAWING NO. CF3102SH PART NO. CF31***D0R*-10-NH
SYM	NAME	DATE	REVISIONS	APPROVED BY: Eisley	1/3-23'	.XXX ± .XX' ±	SCALE 10 / 1	SHEET 2 OF 3

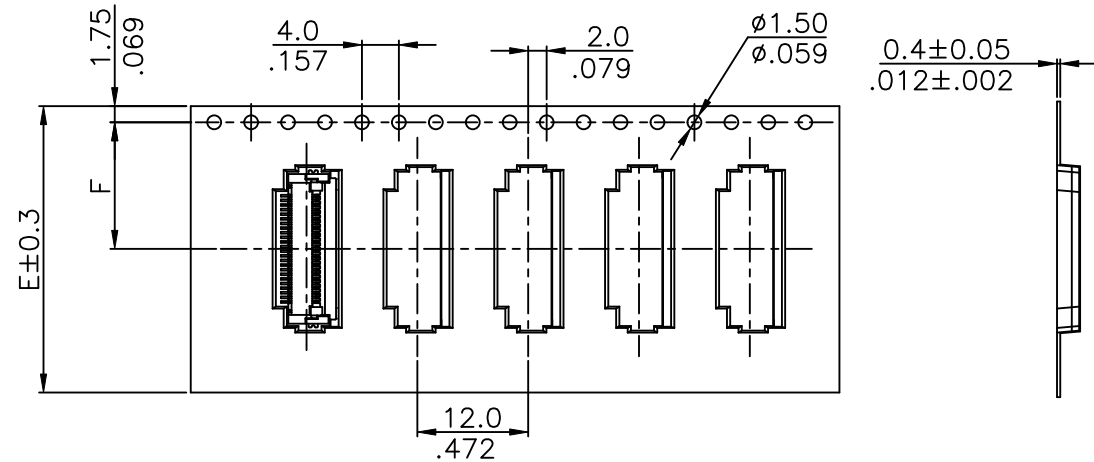
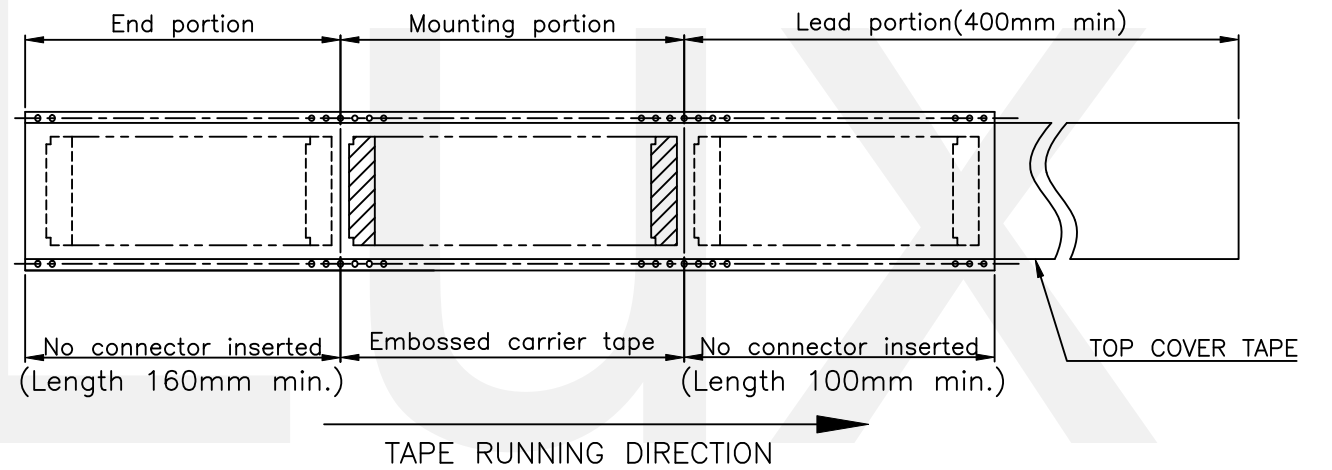




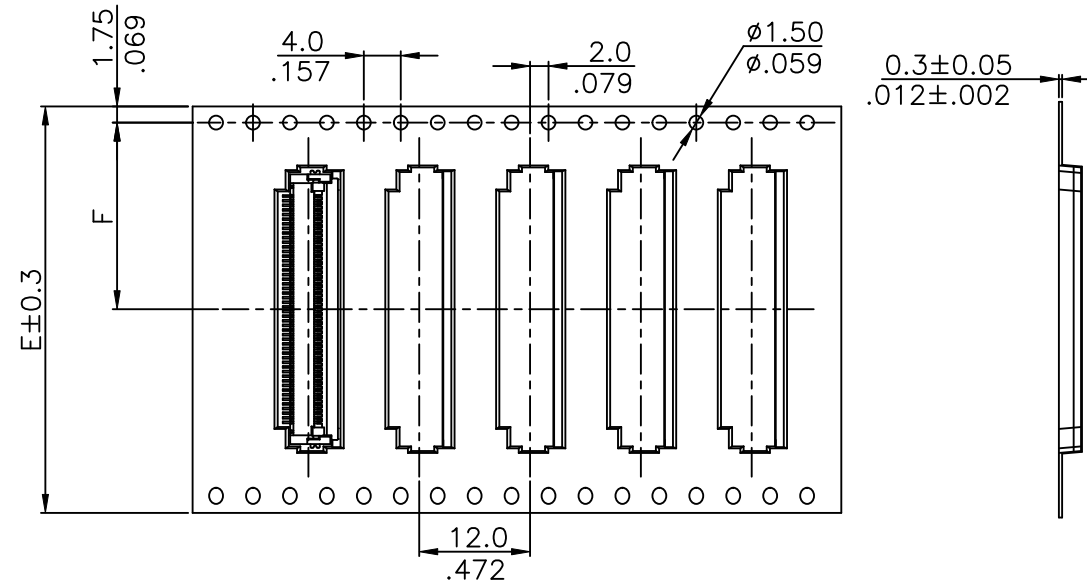
Notes:

1. 10 sprocket hole pitch cumulative tolerance ± 0.2
2. Camber not to exceed 1mm in 100mm.
- △ 3. Material: Polystyrene.
4. Pocket position relative to sprocket hole measured as true position of pocket, not pocket hole.
5. All dimensions meet EIA-481-B requirements.
6. Quantity: 2000 PCS/REEL

Circuits	Dimension					Packing (Reel/Carton)
	E	F	W1	W2	W3	
△ 4-12	24.0(.945)	11.50(.453)	24.5(.965)	30.5(1.200)	24.5(.965)	9
13-15	32.0(1.260)	14.20(.559)	32.5(1.280)	38.5(1.516)	32.5(1.280)	7
16-27	44.0(1.732)	20.20(.795)	44.5(1.752)	50.5(1.988)	44.5(1.752)	5
28-30	56.0(2.205)	26.2(1.031)	56.5(2.224)	62.5(2.460)	56.5(2.224)	4




WIDTH : 24 mm Carrier
(SCALE 1:8)



WIDTH : 32, 44, 56 mm Carrier
(SCALE 1:8)

RoHS Compliant

△ 7	Sun	1/3-23'	ECNT122023/ECRH122003		DATE	UNIT: mm / inch	TITLE: 1.00mm(.039") ZIF FFC/FPC ONE-TOUCH CONNECTOR	 瀚荃股份有限公司 CviLux Corporation	
△ 6	Eric	2/8-22'	ECNT122023/ECRH122003	DRAWN BY: Sun	1/3-23'	TOLERANCE UNLESS OTHERWISE SPECIFIED	MATERIAL:		
△ 5	Claire	6/19-14'	ECRT214014/ECNT214025	ENGINEER: Sun	1/3-23'	.X ± 0.15/.006 X' ±	FINISH:	DRAWING NO. CF3102SH	PART NO. CF31***D0R*-10-NH
△ 4	Claire	2/24-14'	ECNT214009	CHECKED BY: Eisley	1/3-23'	.XX ± 0.10/.004 X' ± 1'		SCALE 10 / 1	SHEET 3 OF 3
SYM	NAME	DATE	REVISIONS	APPROVED BY: Eisley	1/3-23'	.XXX ±			

