

MATERIAL :

- \* HOUSING: HEAT RESISTANCE PLASTIC, UL 94V-0, COLOR NATURE
- \* COVER: HEAT RESISTANCE PLASTIC, UL 94V-0, COLOR BLACK
- \* CONTACT: PHOSPHOR BRONZE
- \* FITTING NAIL: BRASS WITH 100μ" MIN MATTE TIN PLATED OVER 50μ" MIN NICKEL

Ordering Code

CF31 \*\* \* D 0 \* \* -10 -NH  
 ① ② ③ ④ ⑤ ⑥ ⑦ ⑧ ⑨

① Series No.

② No. of Circuits: 04~30

③ Plating code:

1 = 2.00μm(80μ") Min. Matte Tin Plating on Contact area and Solder tails, 1.02μm(40μ") Nickel Underplating over all

2 = 0.02μm(0.8μ") Min. Gold Flash Plating on Contact area and Solder tails, 1.02μm(40μ") Nickel Underplating over all

B = Contact area: 0.38μm(15μ") Min. Gold plated  
 Solder area: 0.03μm(1.2μ") Min. Gold flash over all 1.02μm(40μ") Min. Nickel

W = 0.076μm(3μ") Min. Gold Plating on Contact area, 0.02μm(0.8μ") Gold Flash Plating on Solder tails, 1.27μm(50μ") Nickel Underplating over all

④ Contact style: D = Downside contact

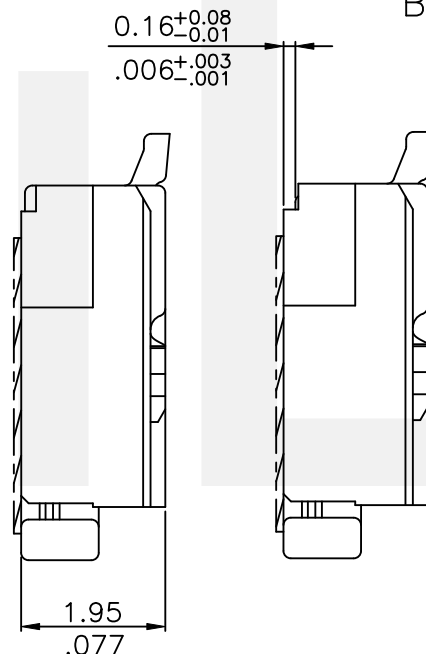
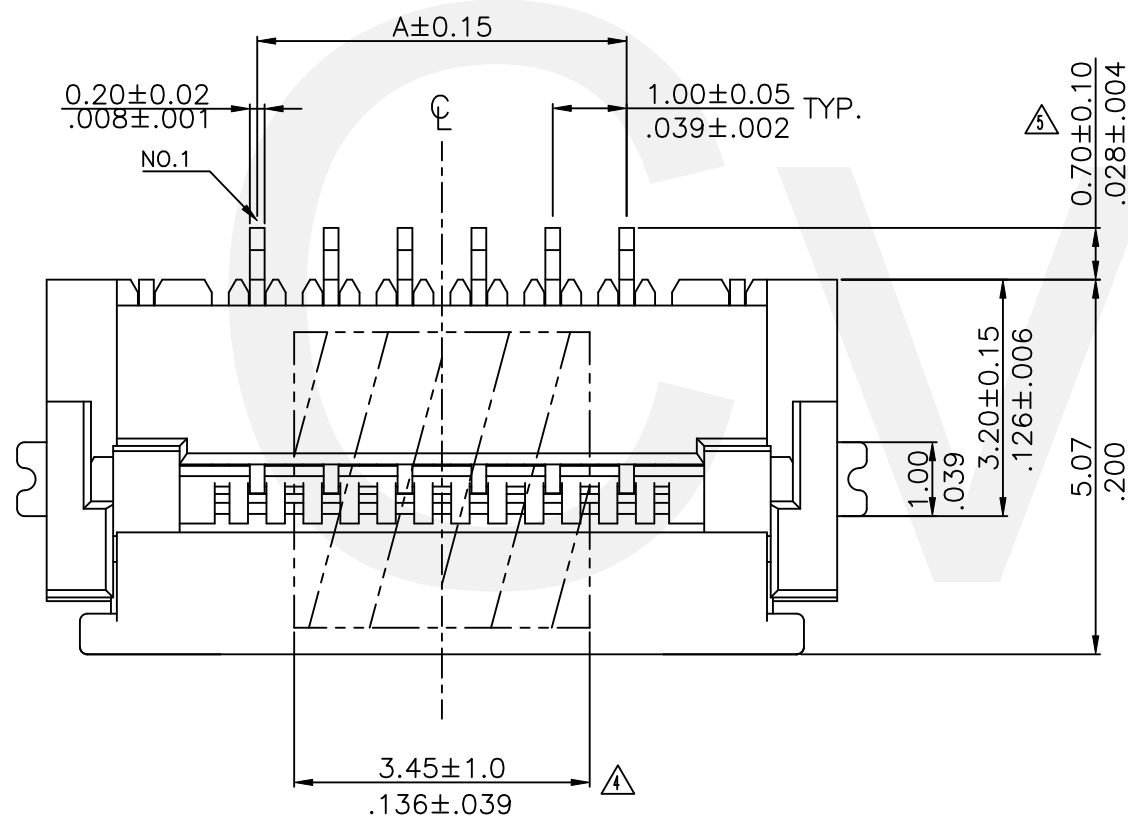
⑤ 0 = Color Nature

⑥ Packing: R = Tape & Reel, T = Tube Packing

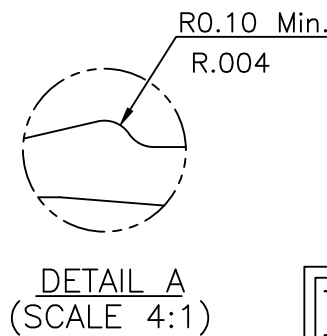
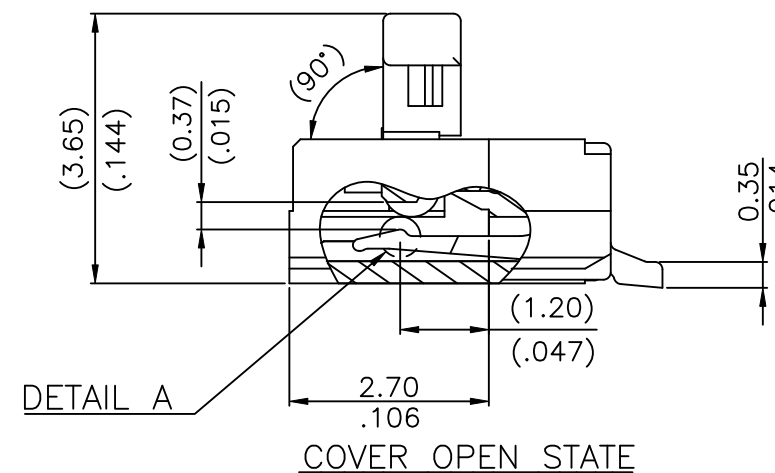
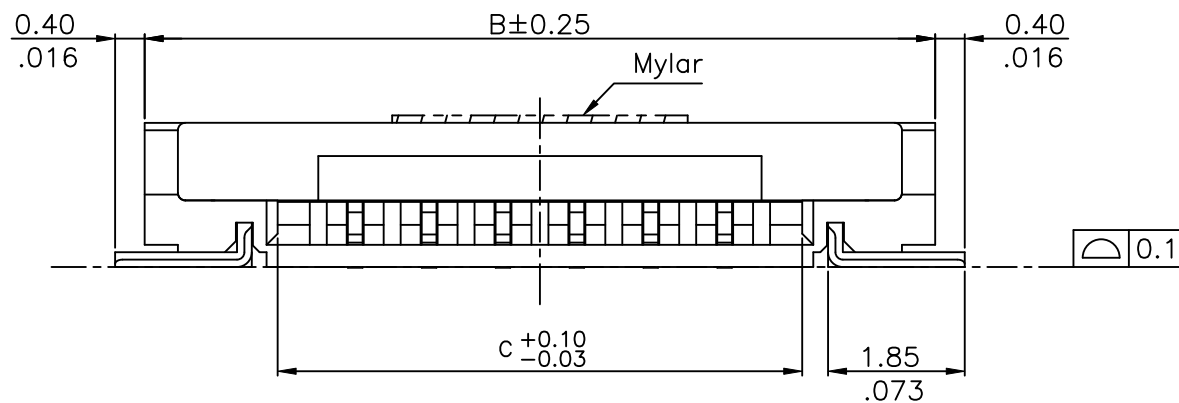
⑦ Option: 4 = Without Mylar  
 5 = With Mylar

⑧ -10 = 1.0 Pitch


⑨ -NH = For Lead Free IR Reflow Processed and Halogen Free



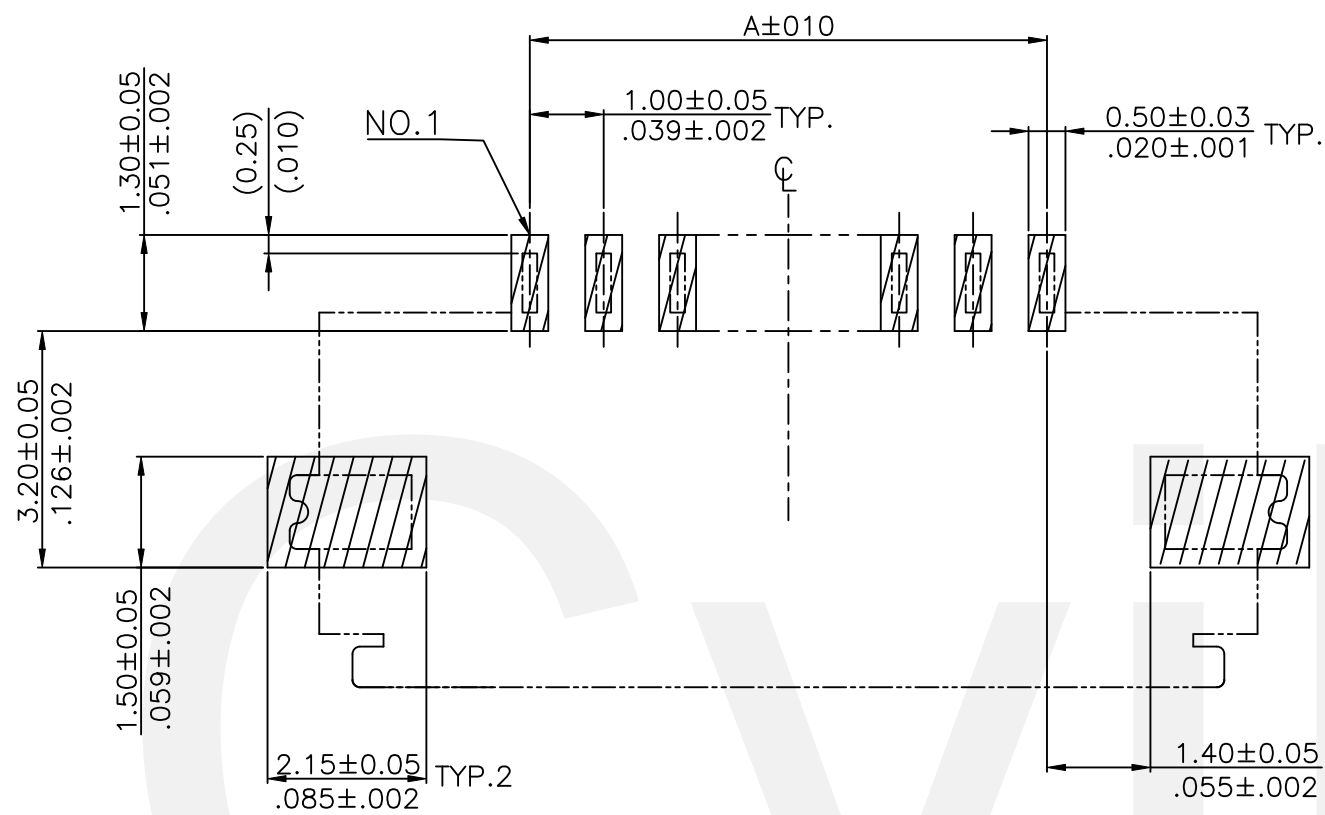
FOR OTHER PINS      FOR 24&30PIN



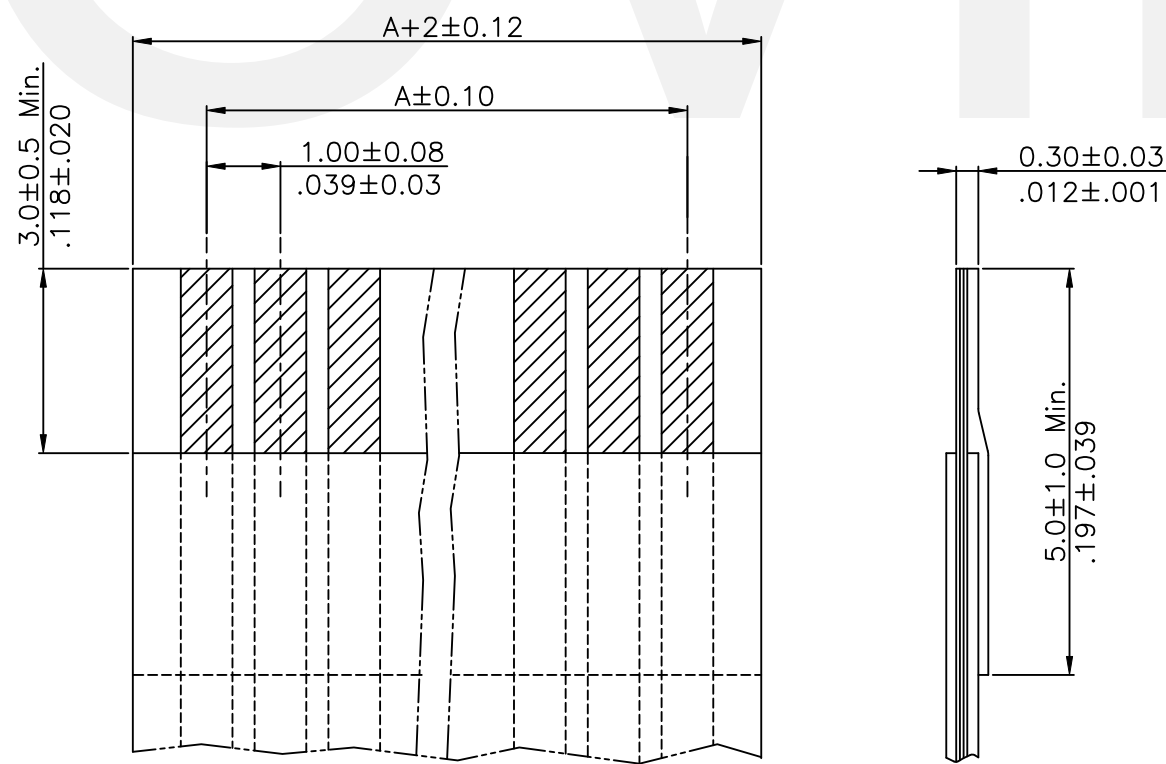
Halogen-Free      Lead Free Process      RoHS Compliant

⑤	Sun	1/3-23'	ECRH122038/ECNT122163		DATE	UNIT: mm / inch	TITLE: 1.00mm(.039") ZIF FFC/FPC ONE-TOUCH CONNECTOR	 瀚荃股份有限公司 CviLux Corporation
④	Eric	2/8-22'	ECNT122023/ECRH122003	DRAWN BY: Sun	1/3-23'	TOLERANCE UNLESS OTHERWISE SPECIFIED	MATERIAL:	
③	Claire	5/23-14'	ECRT213014/ECNT213010	ENGINEER: Sun	1/3-23'	.X ± 0.20/.008    X' ±	FINISH:	
②	Claire	1/22-14'	ECRT214003/ECNT214002	CHECKED BY: Eisley	1/3-23'	.XX ± 0.15/.006    X' ± 1'	DRAWING NO. CF3104SF    PART NO. CF31***D0**-10-NH	
SYM	NAME	DATE	REVISIONS	APPROVED BY: Eisley	1/3-23'	.XXX ±    .XX' ±	SCALE 10 / 1    SHEET 1 OF 3	

**CviLux Corp**  
 2023/01/05  
 ISSUED




RECOMMENDED PCB LAYOUT



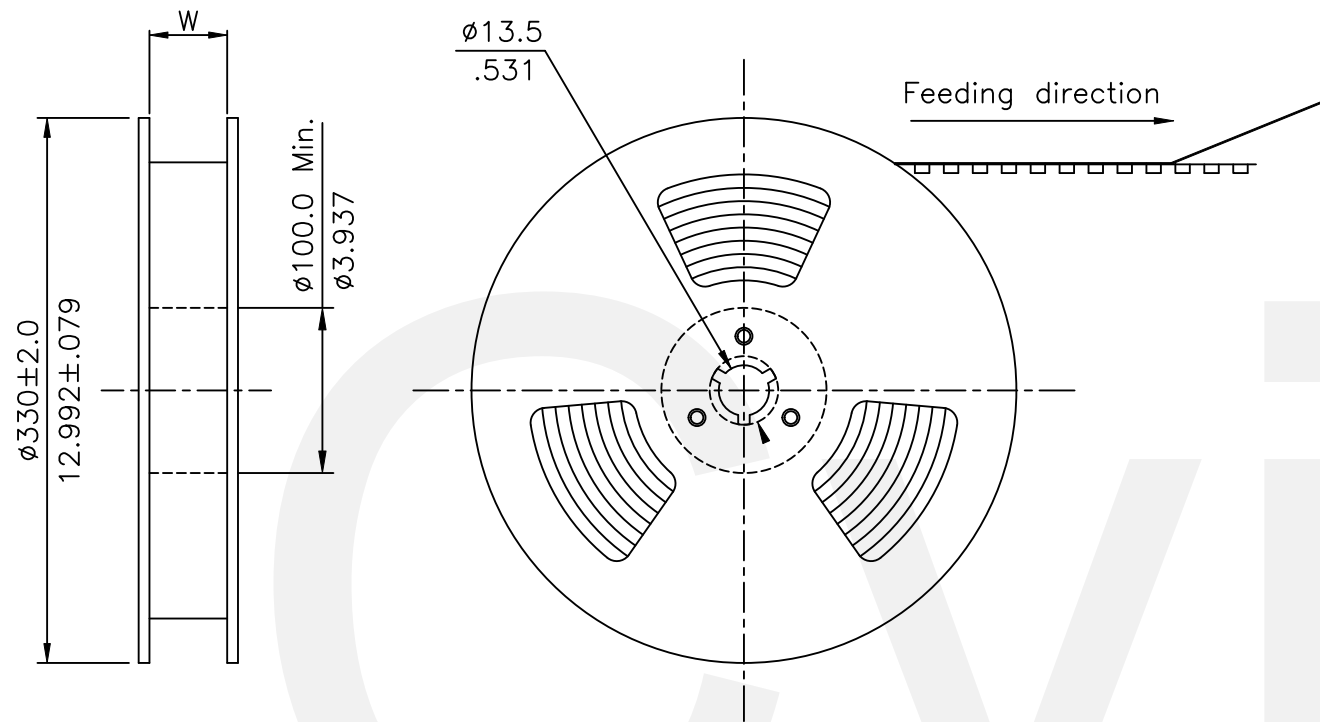
Accommodated FFC/FPC

Circuits	Dimension		
	A	B	C
4	3.00(.118)	8.70(.343)	5.10(.201)
5	4.00(.157)	9.70(.382)	6.10(.240)
6	5.00(.197)	10.70(.421)	7.10(.280)
7	6.00(.236)	11.70(.461)	8.10(.319)
8	7.00(.276)	12.70(.500)	9.10(.358)
9	8.00(.315)	13.70(.539)	10.10(.398)
10	9.00(.354)	14.70(.579)	11.10(.437)
11	10.00(.394)	15.70(.618)	12.10(.476)
12	11.00(.433)	16.70(.657)	13.10(.516)
13	12.00(.472)	17.70(.697)	14.10(.555)
14	13.00(.512)	18.70(.736)	15.10(.594)
15	14.00(.551)	19.70(.776)	16.10(.634)
16	15.00(.591)	20.70(.815)	17.10(.673)
17	16.00(.630)	21.70(.854)	18.10(.713)
18	17.00(.669)	22.70(.894)	19.10(.752)
19	18.00(.709)	23.70(.933)	20.10(.791)
20	19.00(.748)	24.70(.972)	21.10(.831)
21	20.00(.787)	25.70(1.012)	22.10(.870)
22	21.00(.827)	26.70(1.051)	23.10(.909)
23	22.00(.866)	27.70(1.091)	24.10(.949)
24	23.00(.906)	28.70(1.130)	25.10(.988)
25	24.00(.945)	29.70(1.169)	26.10(1.028)
26	25.00(.984)	30.70(1.209)	27.10(1.067)
27	26.00(1.024)	31.70(1.248)	28.10(1.106)
28	27.00(1.063)	32.70(1.287)	29.10(1.146)
29	28.00(1.102)	33.70(1.327)	30.10(1.185)
30	29.00(1.142)	34.70(1.366)	31.10(1.224)

Halogen-Free  
Lead Free Process  
RoHS Compliant

5	Sun	1/3-23'	ECRH122038/ECNT122163		DATE	UNIT: mm / inch	TITLE: 1.00mm(.039") ZIF FFC/FPC ONE-TOUCH CONNECTOR	 瀚荃股份有限公司 CviLux Corporation
4	Eric	2/8-22'	ECNT122023/ECRH122003	DRAWN BY: Sun	1/3-23'	TOLERANCE UNLESS OTHERWISE SPECIFIED		
3	Claire	5/23-14'	ECRT213014/ECNT213010	ENGINEER: Sun	1/3-23'	.X ± 0.20/.008 X* ±	MATERIAL:	
2	Claire	1/22-14'	ECRT214003/ECNT214002	CHECKED BY: Easley	1/3-23'	.XX ± 0.15/.006 X* ± 1'	FINISH:	DRAWING NO. CF3104SF PART NO. CF31***D0**-10-NH
SYM	NAME	DATE	REVISIONS	APPROVED BY: Easley	1/3-23'	.XXX ± XX* ±	SCALE 10 / 1	SHEET 2 OF 3

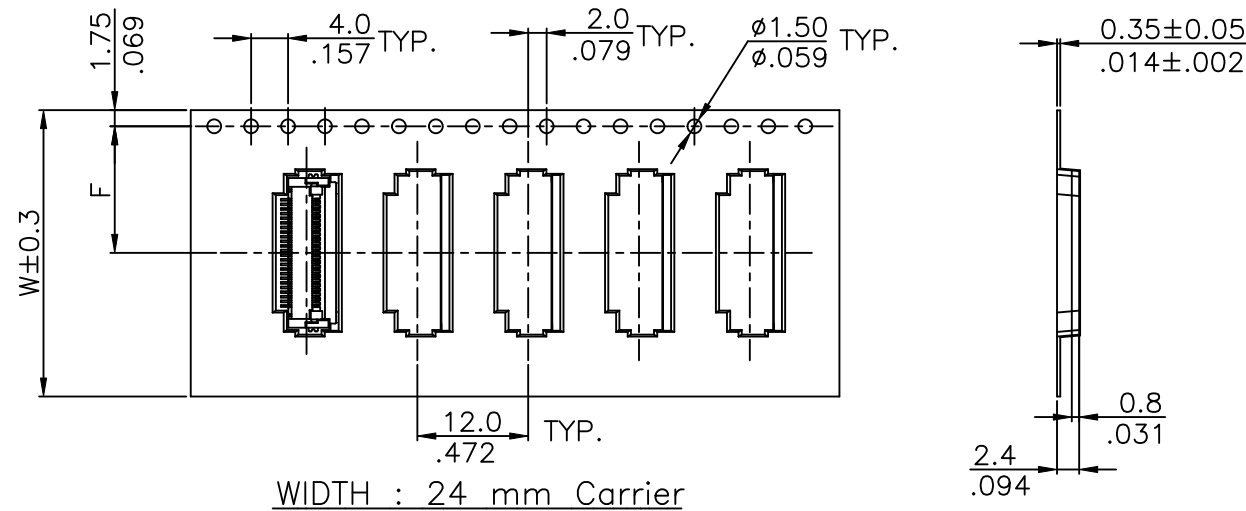
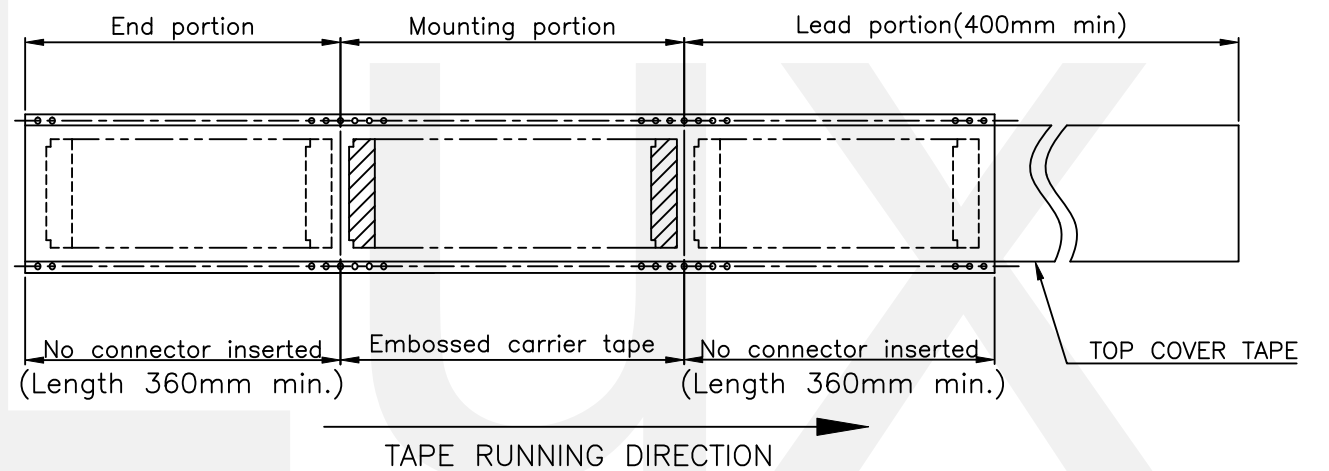




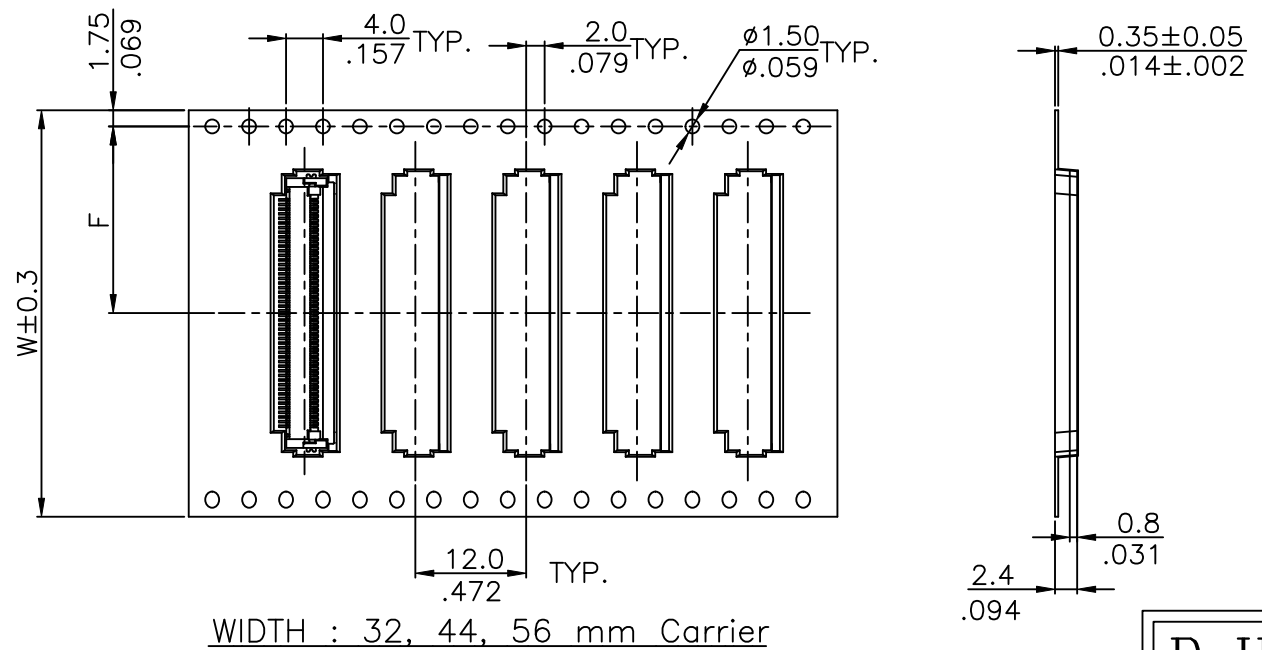
Notes:

1. 10 sprocket hole pitch cumulative tolerance  $\pm 0.2$
2. Camber not to exceed 1mm in 100mm.
3. Material: Black Advantek Polystyrene.
4. Pocket position relative to sprocket hole measured as true position of pocket, not pocket hole.
5. All dimensions meet EIA-481-B requirements.
6. Quantity: 2000 PCS/REEL

Circuits	Dimension	
	W	F
4-12	24.0(.945)	11.50(.453)
13-16	32.0(1.260)	14.20(.559)
17-27	44.0(1.732)	20.20(.795)
28-30	56.0(2.205)	26.2(1.031)



WIDTH : 24 mm Carrier



WIDTH : 32, 44, 56 mm Carrier

RoHS Compliant

SYMBOL	NAME	DATE	REVISIONS	APPROVED BY:	DATE	UNIT:	TITLE:	DRAWING NO. / SCALE		PART NO. / SHEET	
5	Sun	1/3-23'	ECRH122038/ECNT122163			mm / inch	1.00mm(.039") ZIF FFC/FPC ONE-TOUCH CONNECTOR	CF3104SF / 10 / 1		CF31***D0**-10-NH / 3 OF 3	
4	Eric	2/8-22'	ECNT122023/ECRH122003	DRAWN BY:	Sun						
3	Claire	5/23-14'	ECRT213014/ECNT213010	ENGINEER:	Sun						
2	Claire	1/22-14'	ECRT214003/ECNT214002	CHECKED BY:	Eisley						
				APPROVED BY:	Eisley						

**CviLux Corp**  
2023/01/05  
**ISSUED**

**瀚荃股份有限公司**  
**CviLux Corporation**