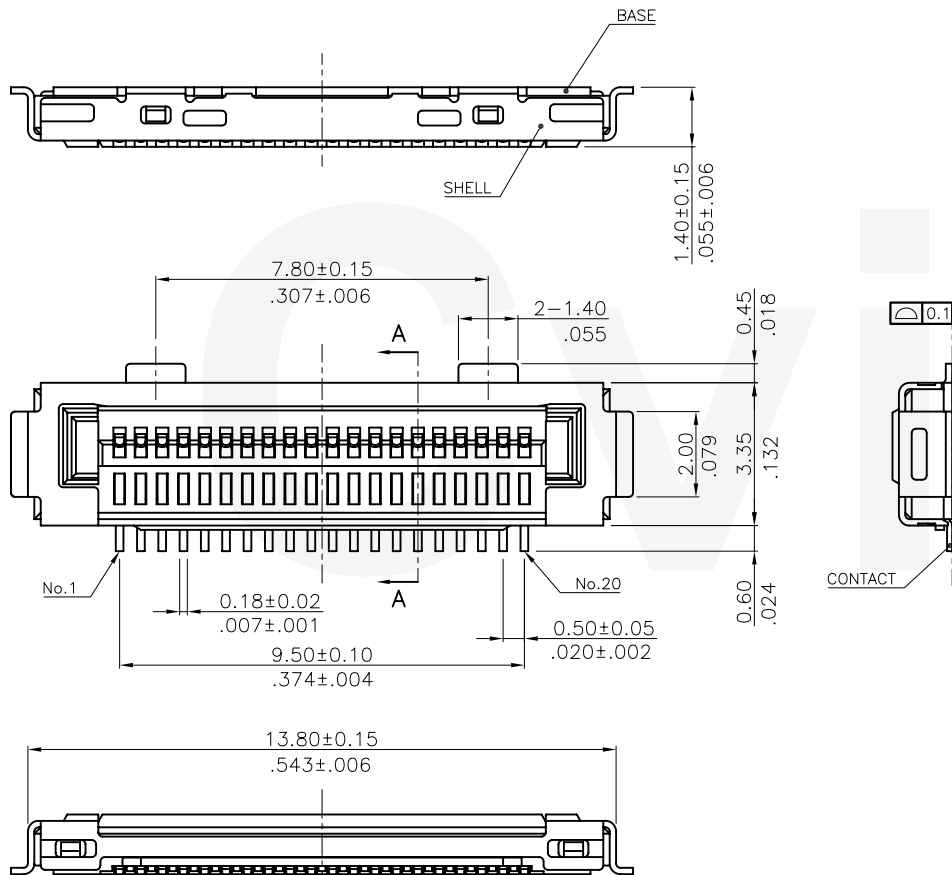


MATERIAL :

- * Base: Heat resistance plastic, UL94 V-0; Color:black
- * Cap: Heat resistance plastic, Color:black
- * Contact: Phosphor bronze
- * Sell: Phosphor bronze

PLATING :

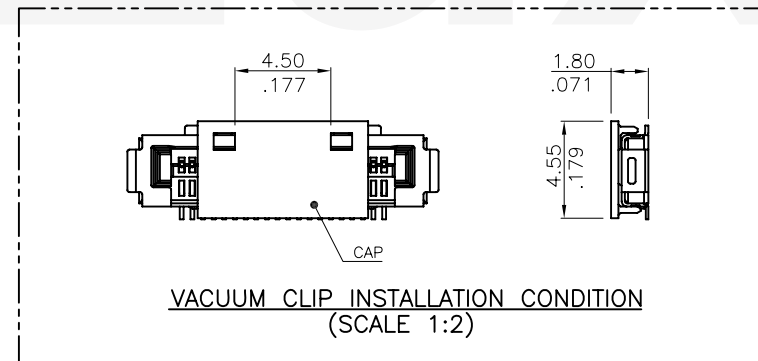
- * Contact: Contact area is plated Gold with selected and other area is plated with Gold Flash, over all Nickel 1.27μm(50μ") under plated.
- * shell: Matte Tin(Lead Free)



Ordering Code


CVS3 20 * M 1 ** -NH
 ① ② ③ ④ ⑤ ⑥ ⑦

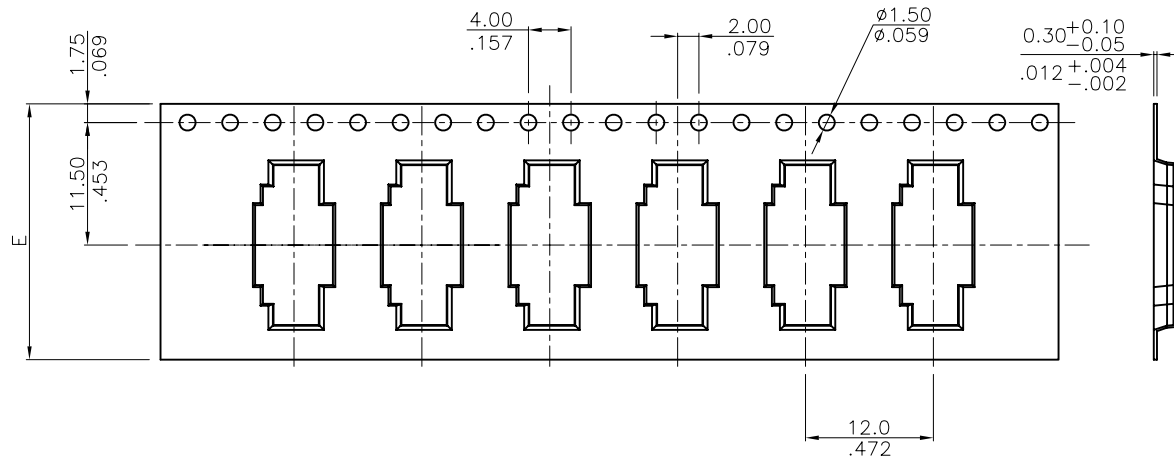
- ① Series No.
- ② No. of Circuits : 20PIN
- ③ Plating code:
 2= Gold flash over Nickel
 W= Selevtive 0.08μm(3μ") Gold plated on contact area
 D= Selevtive 0.13μm(5μ") Gold plated on contact area
 E= Selevtive 0.25μm(10μ") Gold plated on contact area
 F= Selevtive 0.38μm(15μ") Gold plated on contact area
 G= Selevtive 0.76μm(30μ") Gold plated on contact area
- ④ Contact style: M= SMT
- ⑤ Color: 1= Black
- ⑥ Packing: R0= Tape & Reel packing
 T0= Tube packing
- ⑦ Other option:
 NH= For Lead Free IR Processes and Halogen-Free



Halogen-Free
 Lead Free Process
 RoHS Compliant

CVILUX CORP
 2013.06.11
 ISSUED

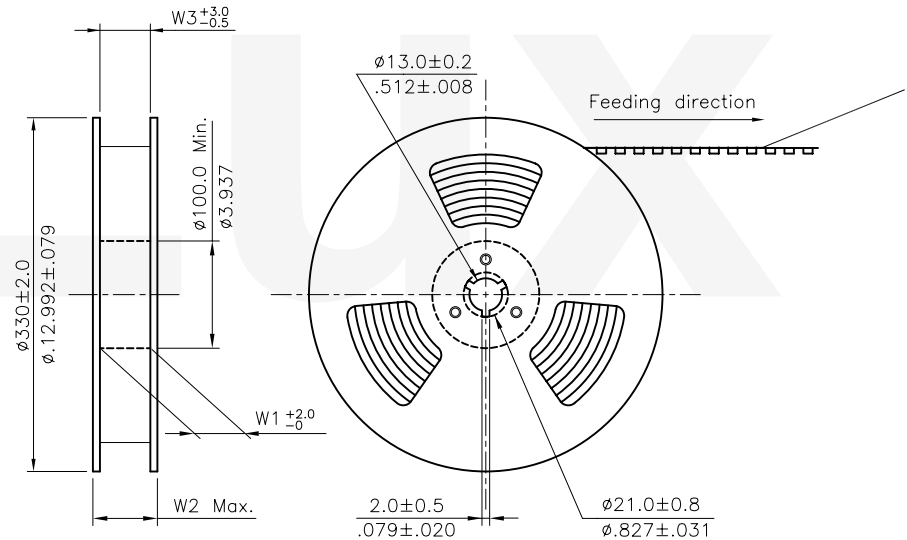
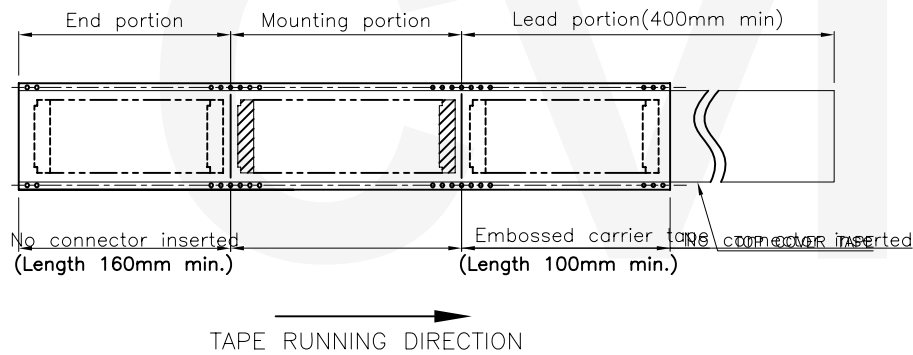
④					DATE	UNIT: mm / inch	TITLE: 0.50mm(.020") LVDS CONNECTOR SMT (20P) SOCKET M/H 2.0	 瀚荃股份有限公司 CviLux Corporation
③				DRAWN BY: Claire	6/6-13'	TOLERANCE UNLESS OTHERWISE SPECIFIED	MATERIAL:	
②				ENGINEER: Francis	6/6-13'	.X ± 0.25/.010 X' ±	FINISH:	DRAWING NO. CVS308SA
①	Claire	2013 0410	ECR13013-5 / ECN13018-5	CHECKED BY: Jerry	6/6-13'	.XX ± 0.15/.006 X' ± 1'		SCALE 8 / 1
SYM	NAME	DATE	REVISIONS	APPROVED BY: Scott	6/6-13'	.XXX ± .XX ±		SHEET 1 OF 3



Notes:

1. 10 sprocket hole pitch cumulative tolerance ± 0.2
2. Camber not to exceed 1mm in 100mm.
3. Material: Polystyrene.
4. Pocket position relative to sprocket hole measured as true position of pocket, not pocket hole.
5. All dimensions meet EIA-481-B requirements.
6. Quantity: 2000 PCS/REEL


WIDTH : 24mm Carrier
(SCALE 1:4)



Circuits	Dimension				Packing (Reel/Carton)
	E	W1	W2	W3	
20	24.0(.945)	24.5(.965)	30.5(1.200)	24.5(.965)	9

RoHS Compliant

CVILUX CORP
2013.06.11
ISSUED

4					DATE	UNIT: mm / inch	TITLE: 0.50mm(.020") LVDS CONNECTOR SMT (20P) SOCKET M/H 2.0	 瀚荃股份有限公司 CviLux Corporation
3				DRAWN BY: Claire	6/6-13'	TOLERANCE UNLESS OTHERWISE SPECIFIED	MATERIAL:	
2				ENGINEER: Francis	6/6-13'	.X $\pm 0.25/.010$ X' \pm	FINISH:	
1	Claire	2013 0410	ECR13013-5 / ECN13018-5	CHECKED BY: Jerry	6/6-13'	.XX $\pm 0.15/.006$ X" $\pm 1'$		DRAWING NO. CVS308SA
SYM	NAME	DATE	REVISIONS	APPROVED BY: Scott	6/6-13'	.XXX \pm XX' \pm	SCALE 8 / 1	SHEET 3 OF 3