

Material :

- * Base: High Temperature plastic, UL94 V-0; Color:black
- * Mylar : Polyimide film tape
- * Contact: Phosphor bronze
- * Shell : Phosphor bronze (40 μ " Min. Matte Tin plated over 40 μ " Min. Nickel)


Ordering Code:

CVS3 50 2 M 1 R M -NH
 ① ② ③ ④ ⑤ ⑥ ⑦ ⑧

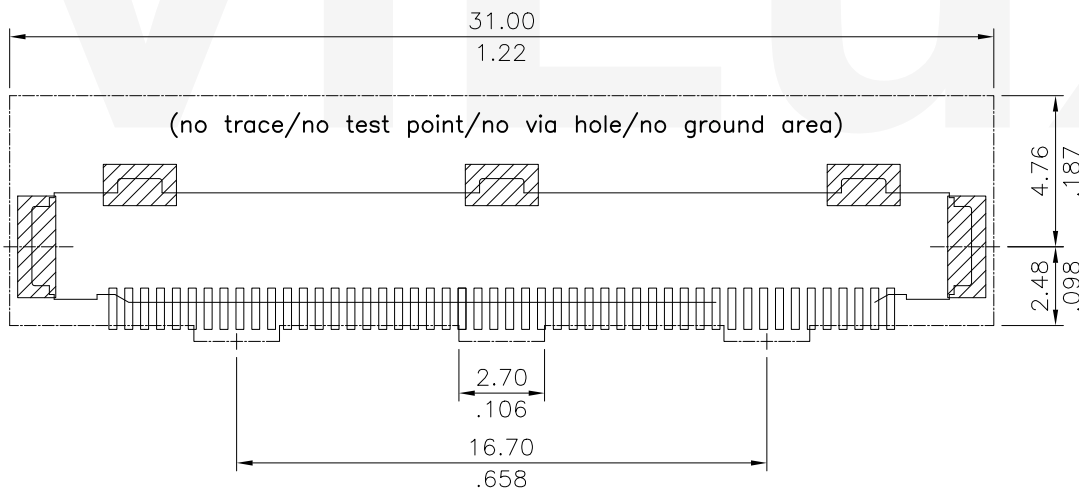
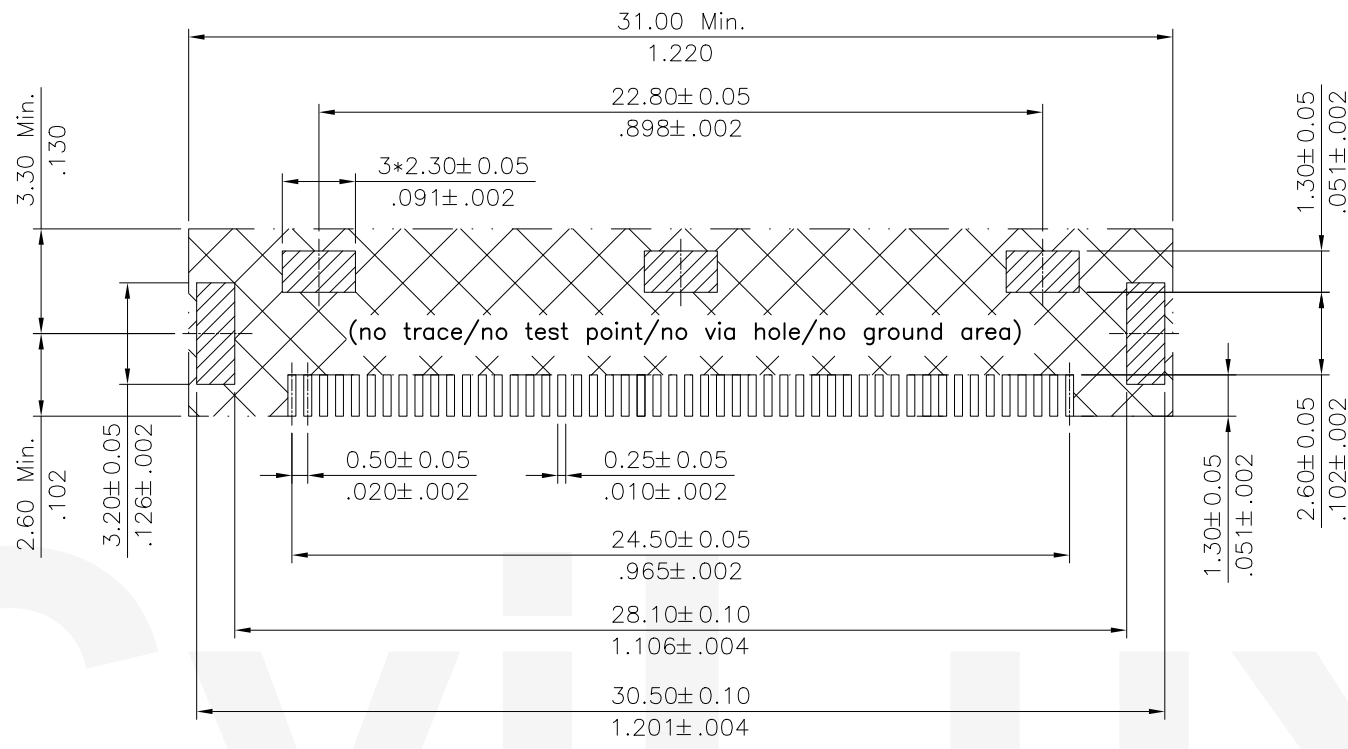
- ① Series No.
- ② No. of Circuits: 50 Pin
- ③ Plating:
2= 0.03 μ m(1.2 μ ") Min. Gold Flash Plating on Contact area and Solder tails, 1.27 μ m(50 μ ") Nickel Underplating over all
- ④ Contact style: M= SMT
- ⑤ Color: 1= Black
- ⑥ Packing: R= Tape & Reel
- ⑦ M= With Mylar & Special Shell
- ⑧ Other option:
-NH= For Lead Free IR Processes and Halogen-Free

MYLAR THICKNESS t=0.10
 VACUUM CLIP INSTALLATION CONDITION

Halogen-Free Lead Free Process RoHS Compliant

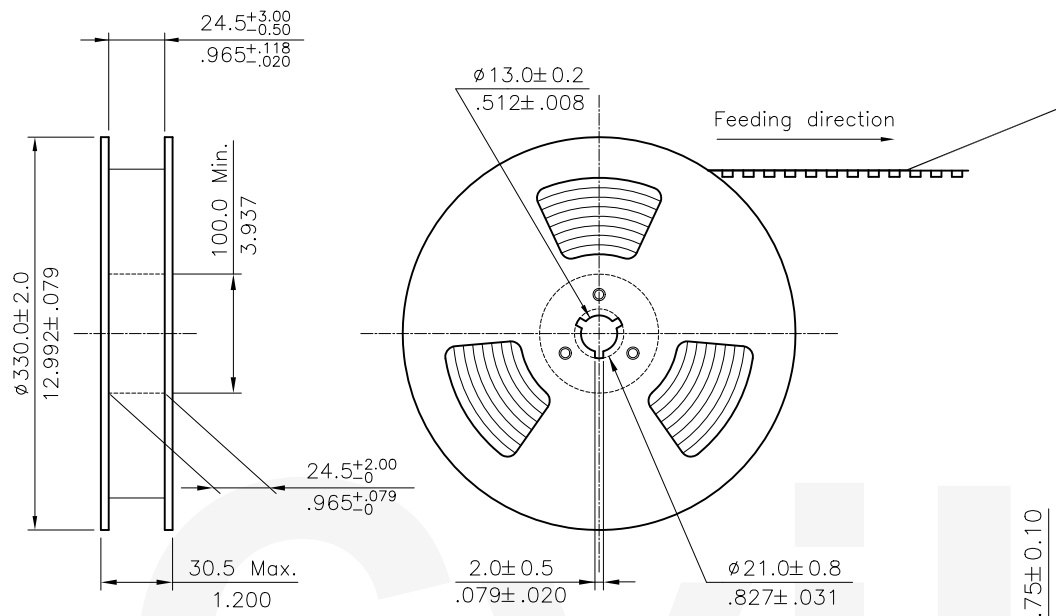
④					DATE	UNIT: mm / inch	TITLE: 0.50mm(.020") LVDS CONNECTOR SMT (50P) SOCKET M/H 2.0	 瀚荃股份有限公司 CviLux Corporation
③					DRAWN BY: Yushu 10/23-17'	TOLERANCE UNLESS OTHERWISE SPECIFIED	MATERIAL:	
②					ENGINEER: Clark 10/26-17'	.X \pm 0.25/.010 X' \pm r'	FINISH:	DRAWING NO. CVS316SA PART NO. CVS3502M1RM-NH
①	Yushu	8/9-17'	ECNT117158	CHECKED BY: Eisley 10/26-17'	APPROVED BY: Eisley 10/26-17'	.XX \pm 0.15/.006 .X' \pm		SCALE 4 / 1
SYM	NAME	DATE	REVISIONS			.XXX \pm 0.10/.004 .XX' \pm		





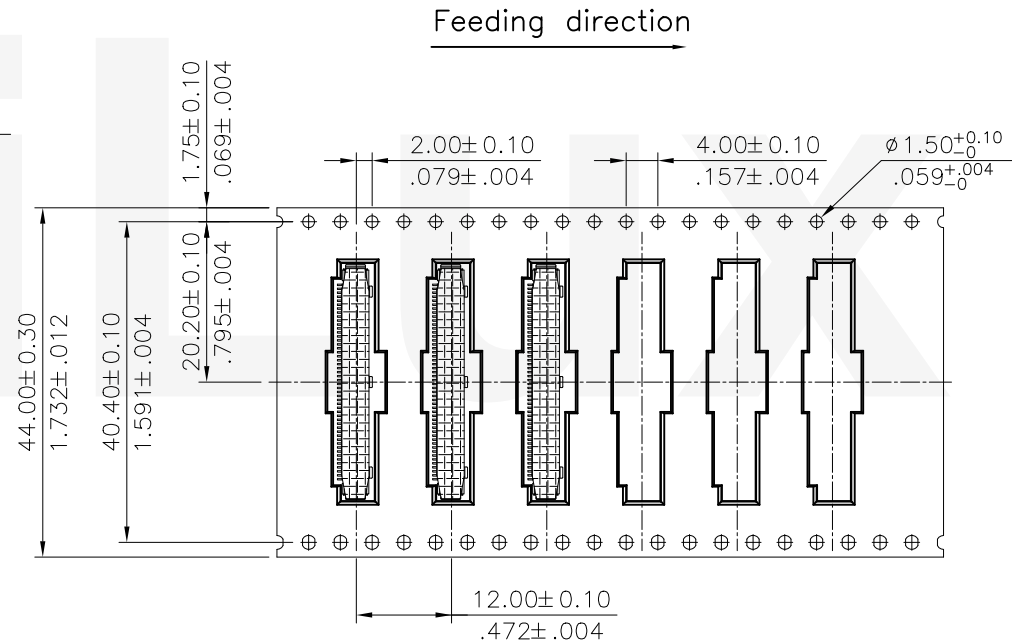
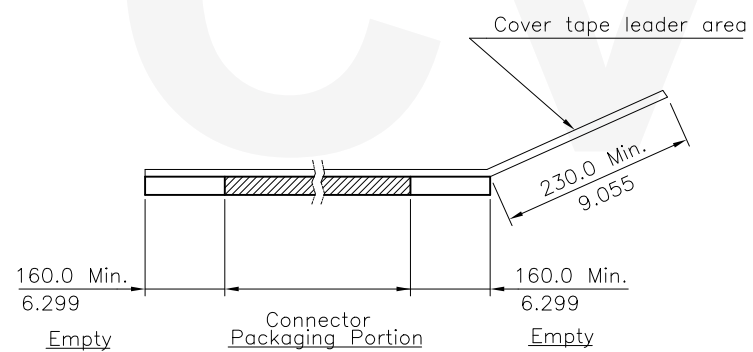
Halogen-Free
Lead Free Process
RoHS Compliant

4						DATE	UNIT: mm / inch	TITLE: 0.50mm(.020") LVDS CONNECTOR SMT (50P) SOCKET M/H 2.0	 瀚荃股份有限公司 CviLux Corporation
3			DRAWN BY: Yushu		10/23-17'	TOLERANCE UNLESS OTHERWISE SPECIFIED	MATERIAL:		
2			ENGINEER: Clark		10/26-17'	.X ± 0.25/.010 X' ± r	FINISH:		
1	Yushu	8/9-17'	ECNT117158		CHECKED BY: Eisley	10/26-17'	.XX ± 0.15/.006 X' ±	DRAWING NO. CVS316SA PART NO. CVS3502M1RM-NH	
SYM	NAME	DATE	REVISIONS	APPROVED BY: Eisley	10/26-17'	.XXX ± 0.10/.004 XX' ±	SCALE 4 / 1 SHEET 2 OF 3		



NOTE :

- * Reel Material : Corrugated Paper
- * Carrier Material : Clear, Conductive Polystyrene Alloy
- * Cover Tape Material : Polyester
- * Cover Tape Peel Strength : 0.1N – 1.3N
- * Carrier camber is within 1mm in 100mm
- * All dimensions meet EIA-481-2 & EIA-481-3 requirements.
- * Quantity : 2000 PCS/Reel
- * Packing : 5 Reel/Carton



WIDTH : 44 mm Carrier

RoHS Compliant

4						DATE	UNIT: mm / inch	TITLE: 0.50mm(.020") LVDS CONNECTOR SMT (50P) SOCKET M/H 2.0	 瀚荃股份有限公司 CviLux Corporation	
3			DRAWN BY: Yushu		10/23-17'	TOLERANCE UNLESS OTHERWISE SPECIFIED	MATERIAL:	DRAWING NO. CVS316SA		PART NO. CVS3502M1RM-NH
2			ENGINEER: Clark		10/26-17'	.X ± 0.25/.010	.X' ± r'	FINISH:	SCALE	SHEET 3 OF 3
1	Yushu	8/9-17'	ECNT117158		CHECKED BY: Eisley	10/26-17'	.XX ± 0.15/.006		.X' ±	
SYM	NAME	DATE	REVISIONS	APPROVED BY: Eisley	10/26-17'	.XXX ± 0.10/.004	.XX' ±			