

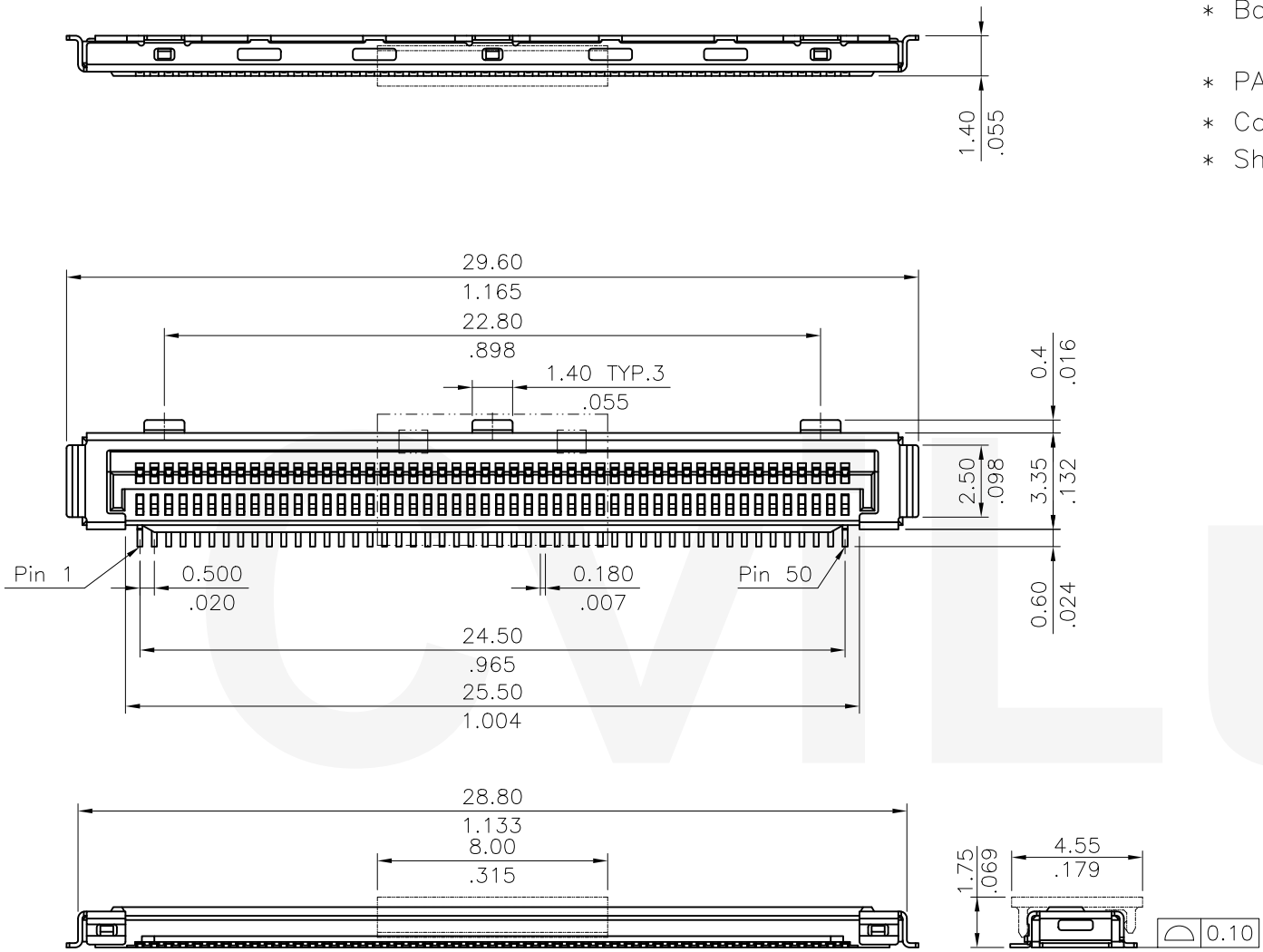
Material :

- * Base: High Temperature plastic,UL 94V-0
Color black
- * PAD : High Temperature plastic,UL 94V-0
- * Contact: Phosphor bronze
- * Shell : Phosphor bronze
(With Matte Tin plated)

Ordering Code:

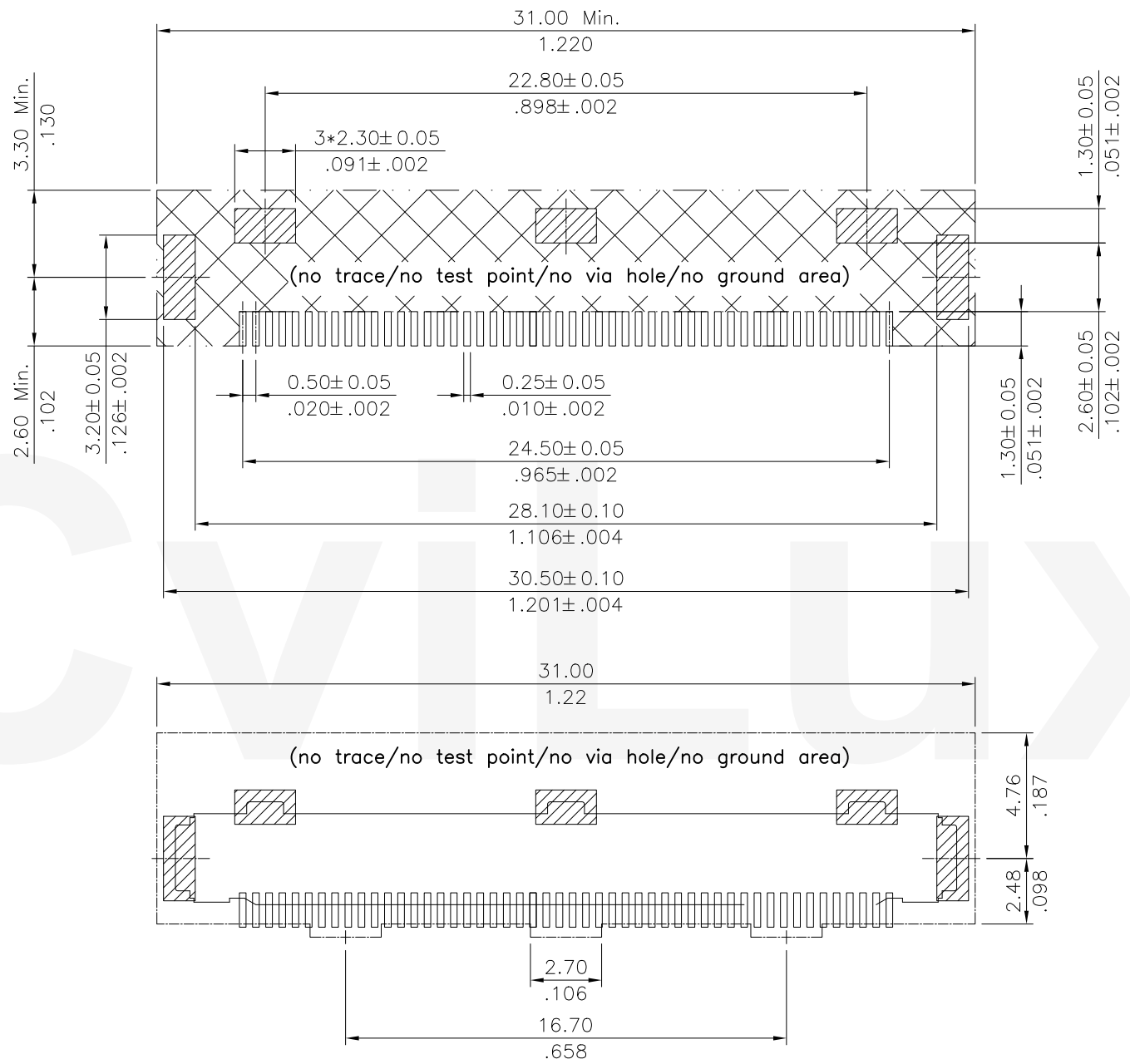
CVS3 50 2 M 1 RP -NH
① ② ③ ④ ⑤ ⑥ ⑦

- ① Series No.
- ② No. of Circuits: 50 Pin
- ③ Plating:
2= 0.03 μ m(1.2 μ ") Min. Gold Flash
Plating on Contact area and
Solder tails, 1.27 μ m(50 μ ") Nickel
Underplating over all
- ④ Contact style: M= SMT
- ⑤ Color: 1= Black
- ⑥ Packing:
RP= Tape & Reel(With Pick & Place Pad)
- ⑦ Other option:
-NH= For Lead Free IR Processes
and Halogen-Free




Halogen-Free Lead Free Process RoHS compliant

④						DATE	UNIT: mm / inch	TITLE: 0.50mm(.020") LVDS CONNECTOR SMT (50P) SOCKET M/H 2.0	 瀚荃股份有限公司 CviLux Corporation	
③			DRAWN BY: Yushu		10/23-17'	TOLERANCE UNLESS OTHERWISE SPECIFIED		MATERIAL:		
②			ENGINEER: Clark		10/26-17'	.X ± 0.25/.010 .X' ± r'				
①	Yushu	8/9-17'	ECNT117158		CHECKED BY: Eisley	10/26-17'	.XX ± 0.15/.006 .X' ±			
SYM	NAME	DATE	REVISIONS	APPROVED BY: Eisley	10/26-17'	.XXX ± 0.10/.004 .XX' ±	FINISH:	DRAWING NO. CVS319SA	PART NO. CVS3502M1RP-NH	
								SCALE	4 / 1	SHEET 1 OF 3

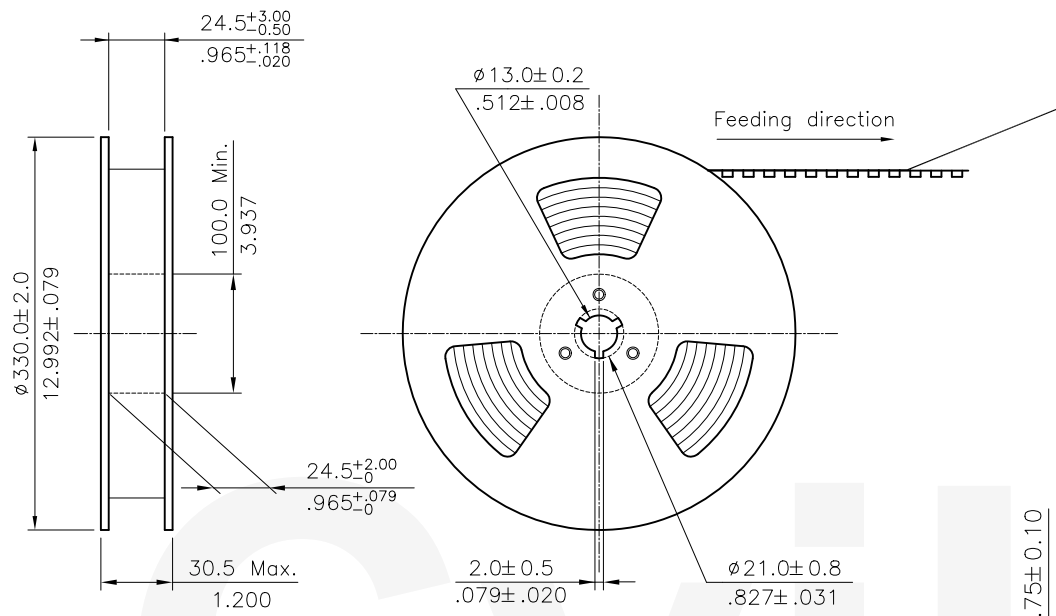


Halogen-Free
Lead Free Process
RoHS Compliant

4					DATE	UNIT: mm / inch	TITLE: 0.50mm(.020") LVDS CONNECTOR SMT (50P) SOCKET M/H 2.0	 瀚荃股份有限公司 CviLux Corporation
3				DRAWN BY: Yushu	10/23-17'	TOLERANCE UNLESS OTHERWISE SPECIFIED	MATERIAL:	
2				ENGINEER: Clark	10/26-17'	.X ± 0.25/.010 X: ± r	FINISH:	
1	Yushu	8/9-17'	ECNT117158	CHECKED BY: Eisley	10/26-17'	.XX ± 0.15/.006 X: ±		
SYM	NAME	DATE	REVISIONS	APPROVED BY: Eisley	10/26-17'	.XXX ± 0.10/.004 XX: ±		

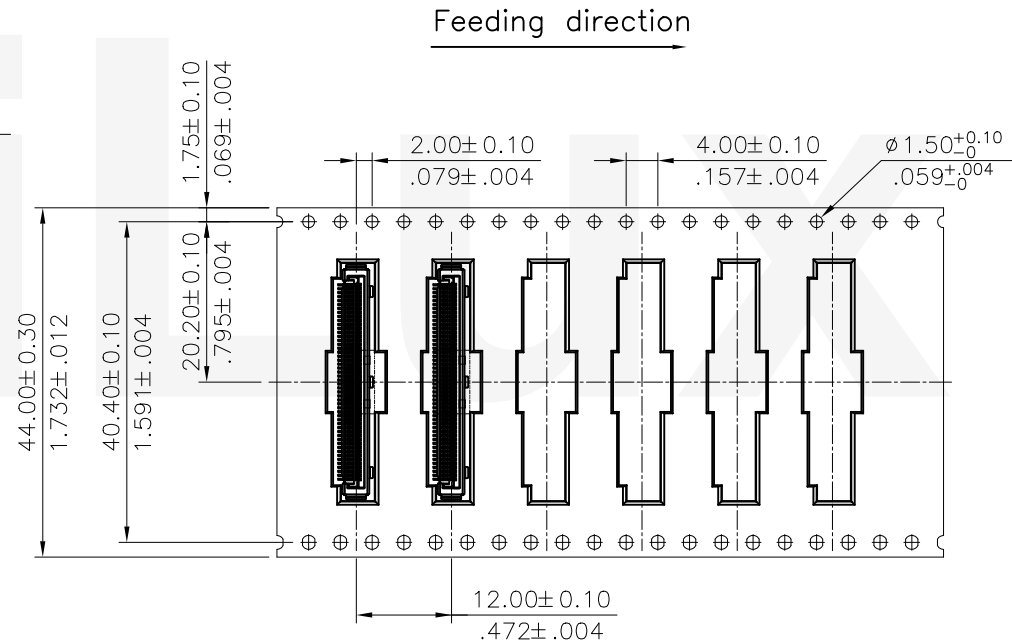
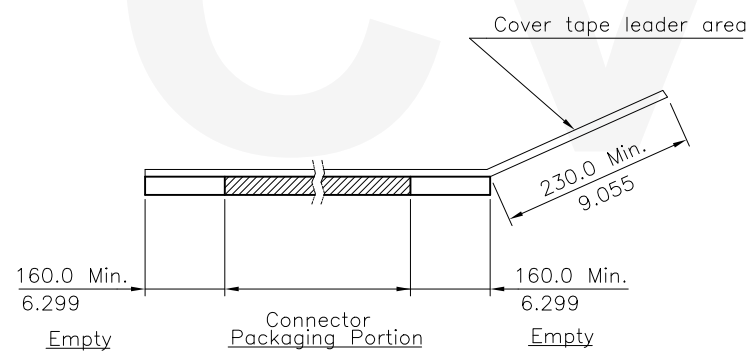


DRAWING NO.	CVS319SA	PART NO.	CVS3502M1RP-NH
SCALE	4 / 1	SHEET	2 OF 3



NOTE :

- * Reel Material : Corrugated Paper
- * Carrier Material : Clear, Conductive Polystyrene Alloy
- * Cover Tape Material : Polyester
- * Cover Tape Peel Strength : 0.1N – 1.3N
- * Carrier camber is within 1mm in 100mm
- * All dimensions meet EIA-481-2 & EIA-481-3 requirements.
- * Quantity : 2000 PCS/Reel
- * Packing : 5 Reel/Carton



WIDTH : 44 mm Carrier

RoHS Compliant

4						DATE	UNIT: mm / inch	TITLE: 0.50mm(.020") LVDS CONNECTOR SMT (50P) SOCKET M/H 2.0	 瀚荃股份有限公司 CviLux Corporation	
3			DRAWN BY: Yushu		10/23-17'	TOLERANCE UNLESS OTHERWISE SPECIFIED	.X ± 0.25/.010 X' ± r	MATERIAL:		
2			ENGINEER: Clark		10/26-17'					.XX ± 0.15/.006 X' ±
1	Yushu	8/9-17'	ECNT117158		CHECKED BY: Eisley	10/26-17'	.XXX ± 0.10/.004 X' ±	FINISH:	DRAWING NO. CVS319SA	PART NO. CVS3502M1RP-NH
SYM	NAME	DATE	REVISIONS	APPROVED BY: Eisley	10/26-17'				SCALE	SHEET 3 OF 3