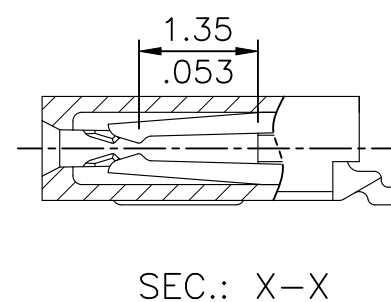
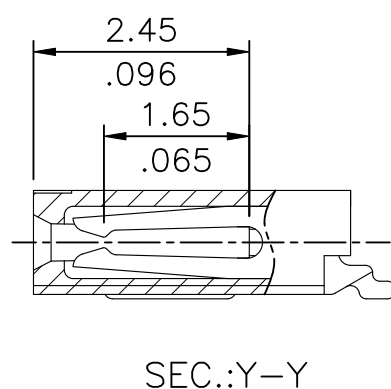
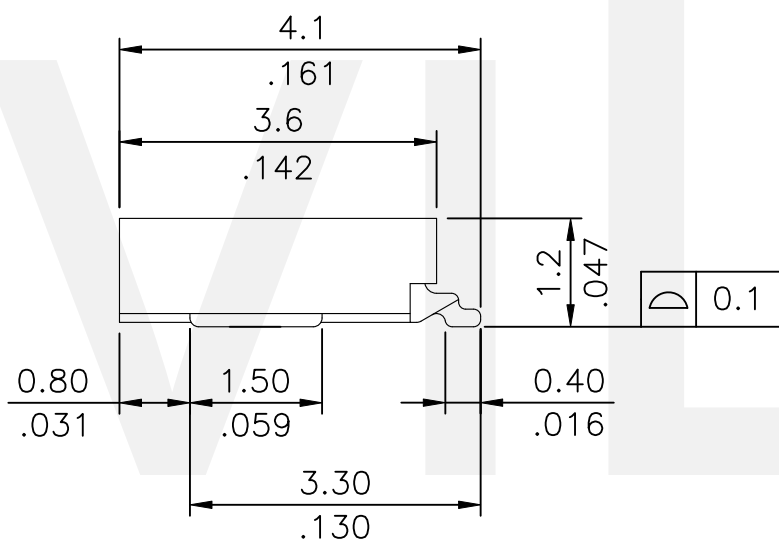


Dim.A = 1.00 x No. of Spaces
 Dim.B = DIM.A + 3.5
 Dim.C = DIM.A + 2.0
 △ Available in 4 ~ 16 Circuits



Material :

- * Body : High temperature plastic UL 94V-0, Color Nature
- * Contact : Copper alloy
- * Fixed tab : Copper alloy With Matte Tin plated

Ordering Code

CF27 ** * H 0 * 0 -10 -NH
 ① ② ③ ④ ⑤ ⑥ ⑦ ⑧ ⑨

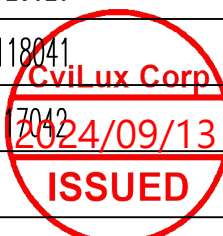
- ① Series No.
- ② No. of Circuits
- ③ Plating code:
 1= 3.05μm(120μ") Min. Matte Tin over 0.76μm(30μ") Nickel
 2= Gold flash plated over 50u"min. Nickel
- ④ Contact style: H= Side Entry
- ⑤ Color: 0= Nature
- ⑥ Packing option: R= Tape & Reel
 T= Tube Packing
- ⑦ Option: 0= Standard
- ⑧ Pitch: 10= 1.0 mm
- ⑨ Process:
 -NH= For Lead Free soldering process and Halogen-Free

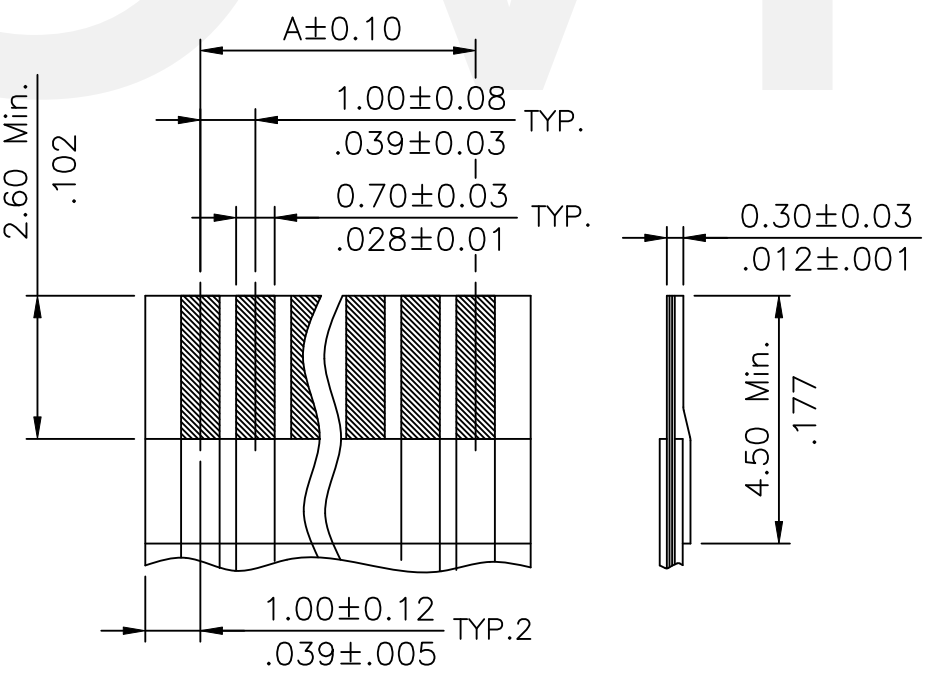
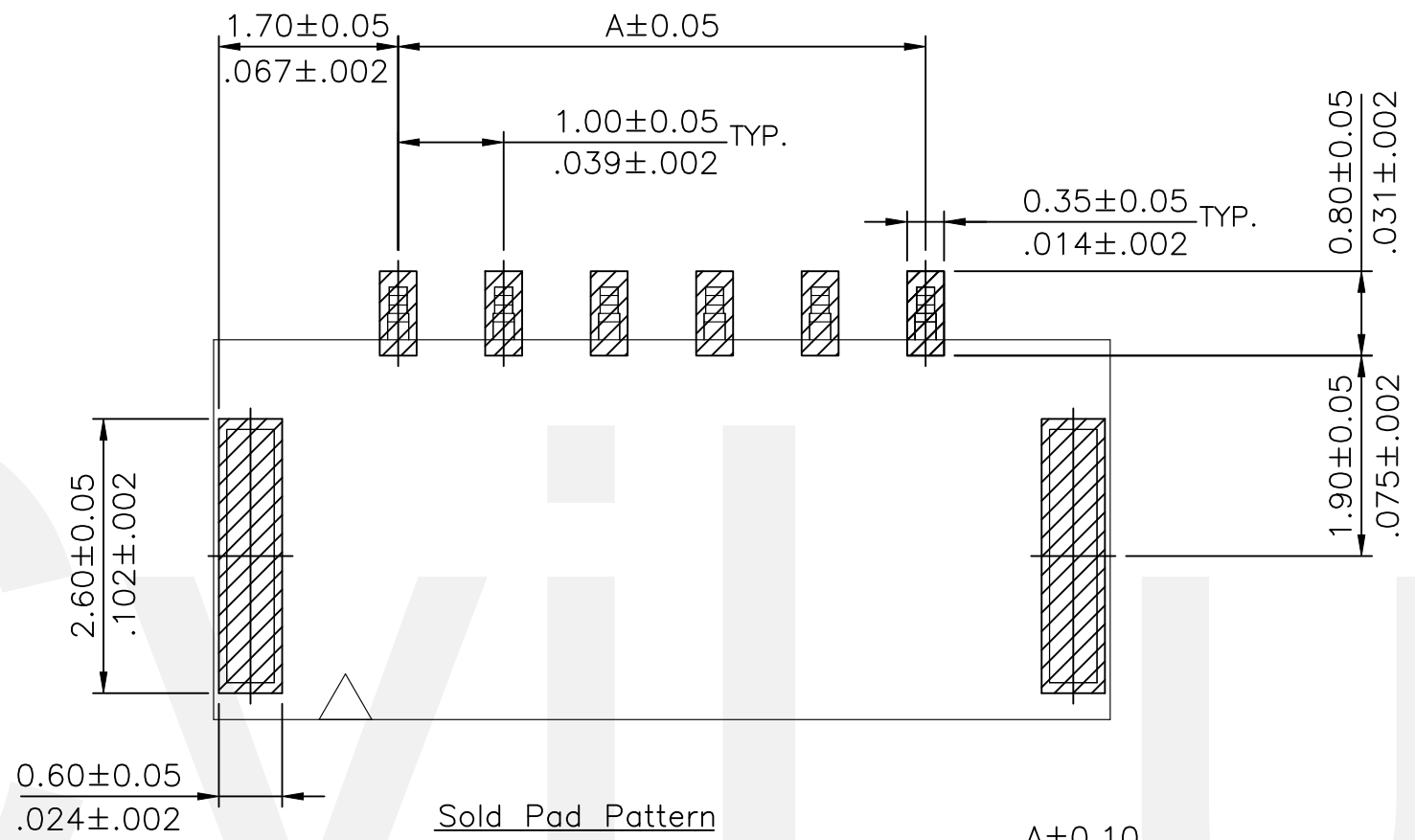
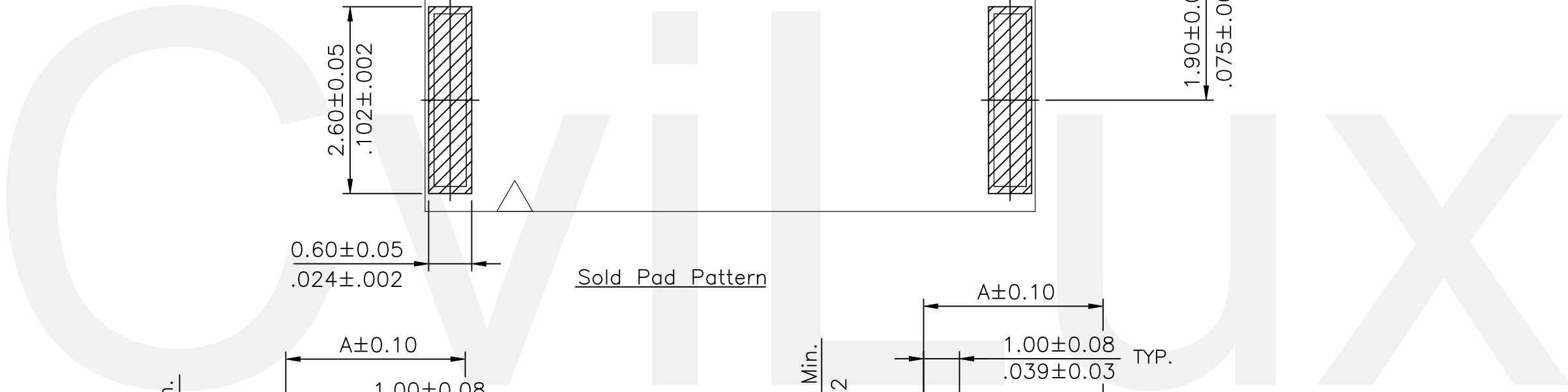
Halogen-Free

Lead Free Process

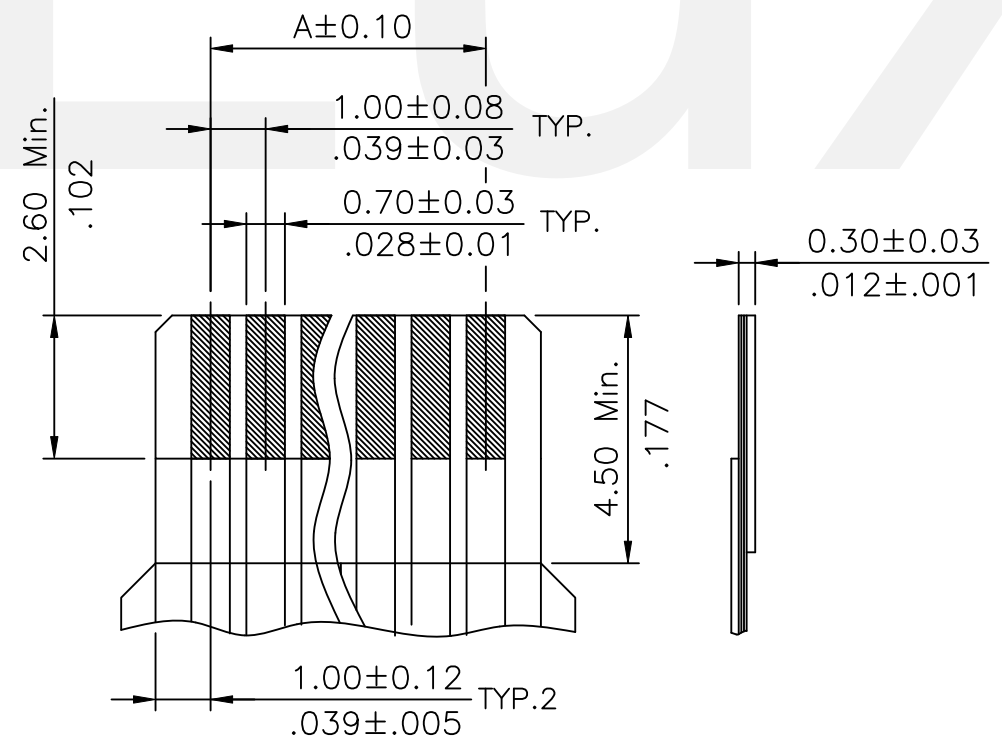
RoHS Compliant

4	Wayne	9/12-24'	ECNT123179/ECRB123029		DATE	UNIT: mm / inch	TITLE: 1.00mm(.039") LIF FFC/FPC CONNECTOR	瀚荃股份有限公司 CviLux Corporation
3	Ken	11/27-18	ECNT118278/ECRH118041	DRAWN BY: Wayne	9/12-24'	TOLERANCE UNLESS OTHERWISE SPECIFIED	MATERIAL:	
2	Hank	9/19-17'	ECNT117154/ECRT117042	ENGINEER: Sun	9/12-24'	.X ± 0.15/.006 X* ± 1'	FINISH:	
1	Una	4/1-11'	ECN11008-N	CHECKED BY: Eisley	9/12-24'	.XX ± 0.10/.004 X* ±		
SYM	NAME	DATE	REVISIONS	APPROVED BY: Eisley	9/12-24'	.XXX ± 0.05/.002 .XX* ±	DRAWING NO. CF2708SE	PART NO. CF27***H0*0-10-NH
							SCALE 8 / 1	SHEET 1 OF 3





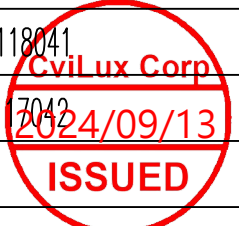
Accommodated FFC



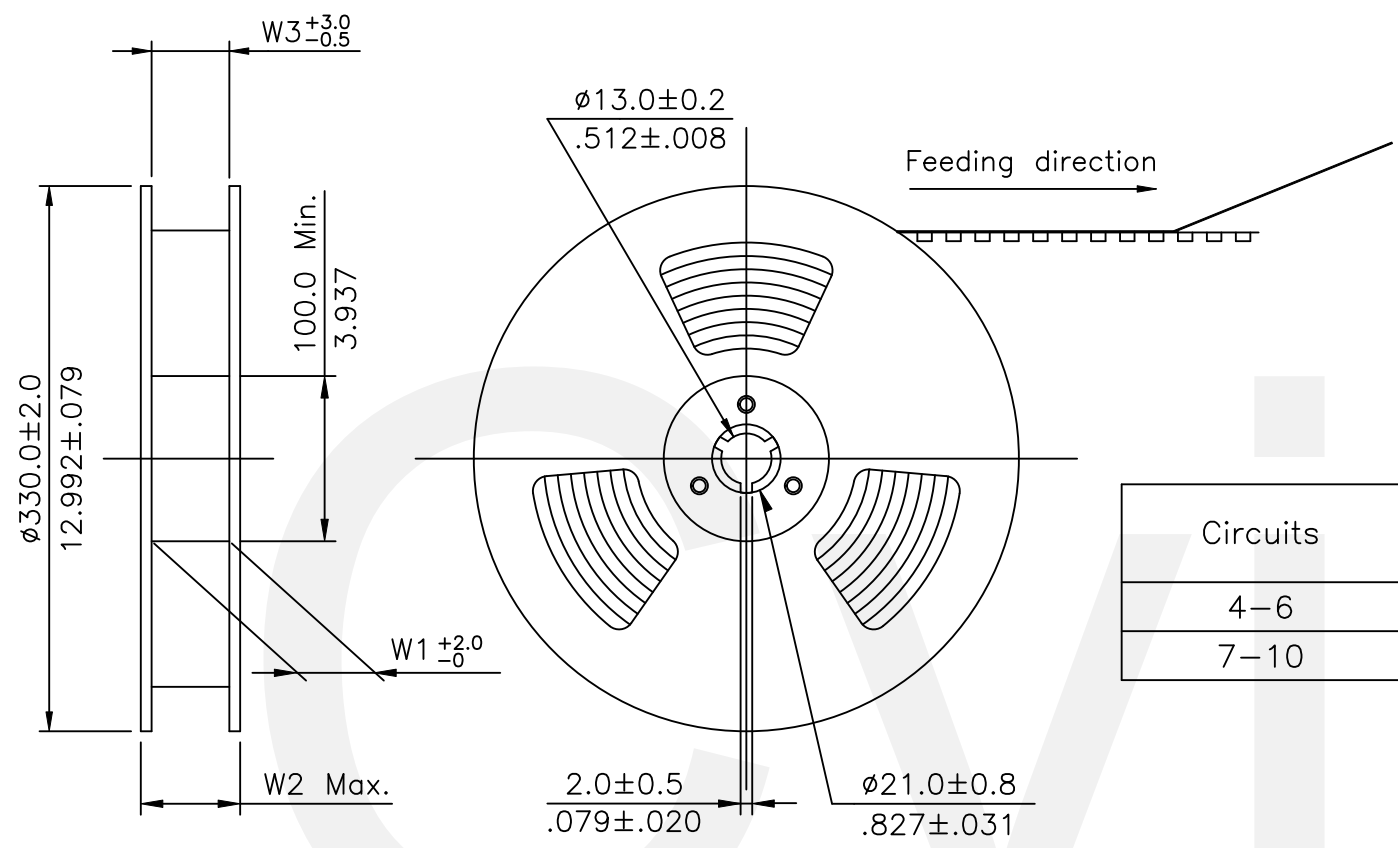
Accommodated FPC

Halogen-Free
Lead Free Process
RoHS Compliant

4	Wayne	9/12-24'	ECNT123179/ECRB123029		DATE	UNIT: mm / inch	TITLE: 1.00mm(.039") LIF FFC/FPC CONNECTOR
3	Ken	11/27-18	ECNT118278/ECRH118041	DRAWN BY: Wayne	9/12-24'	TOLERANCE UNLESS OTHERWISE SPECIFIED .X ± 0.15/.006 X' ± 1' .XX ± 0.10/.004 .X' ± .XXX ± 0.05/.002 .XX' ±	MATERIAL:
2	Hank	9/19-17'	ECNT117154/ECRT117042	ENGINEER: Sun	9/12-24'		
1	Una	4/1-11'	ECN11008-N	CHECKED BY: Eisley	9/12-24'	FINISH:	
SYM	NAME	DATE	REVISIONS	APPROVED BY: Eisley	9/12-24'		

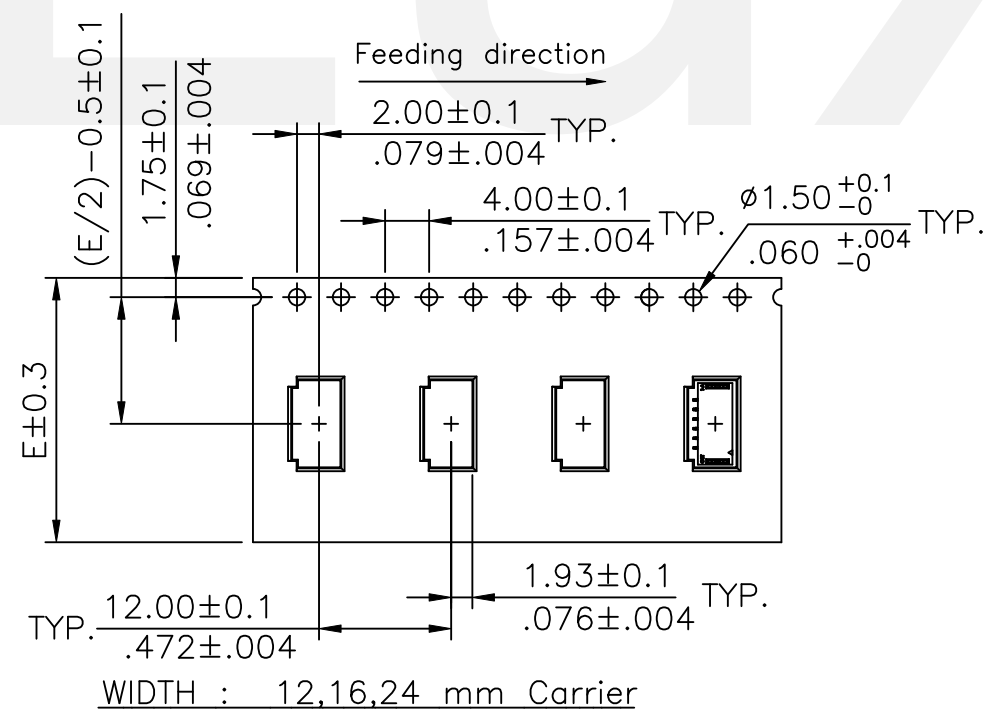
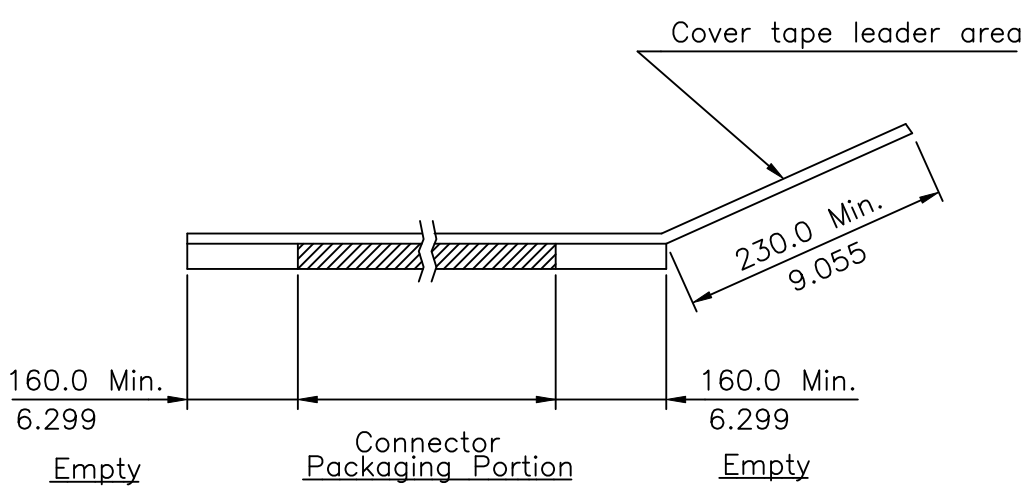


DRAWING NO.	CF2708SE	PART NO.	CF27***H0*0-10-NH
SCALE	10 / 1	SHEET	2 OF 3



- NOTE :
- △ △ * Reel Material : HIPS
 - * Carrier Material : Clear, Conductive Polystyrene Alloy
 - * Cover Tape Material : Polyester
 - * Cover Tape Peel Strength : 0.1N – 1.3N
 - * Carrier camber is within 1mm in 100mm
 - * All dimensions meet EIA-481-2 & EIA-481-3 requirements
 - * Quantity : 3300 PCS/Reel

Circuits	Dimension					Packing (Reel/Caton)
	E	F	W1	W2	W3	
4-6	16.0(.630)	-	16.5(.650)	22.5(.886)	16.5(.650)	11
7-10	24.0(.945)	-	24.5(.965)	30.5(1.201)	24.5(.965)	9



RoHS Compliant

SYM	NAME	DATE	REVISIONS	APPROVED BY:	DATE	UNIT: mm / inch	TITLE: 0.50mm(.031") LIF FFC/FPC CONNECTOR
△4	Wayne	9/12-24'	ECNT123179/ECRB123029				
△3	Ken	11/27-18	ECNT118278/ECRH118041	DRAWN BY:	Wayne	9/12-24'	TOLERANCE UNLESS OTHERWISE SPECIFIED
△2	Hank	9/19-17'	ECNT117154/ECRT117042	ENGINEER:	Sun	9/12-24'	
△1	Una	4/1-11'	ECN11008-N	CHECKED BY:	Eisley	9/12-24'	MATERIAL:
				APPROVED BY:	Eisley	9/12-24'	
							FINISH:


 瀚荃股份有限公司
 CviLux Corporation

DRAWING NO.	CF2708SE	PART NO.	CF27***H0*0-10-NH
SCALE		SHEET	3 OF 3

CviLux Corp
 2024/09/13
 ISSUED