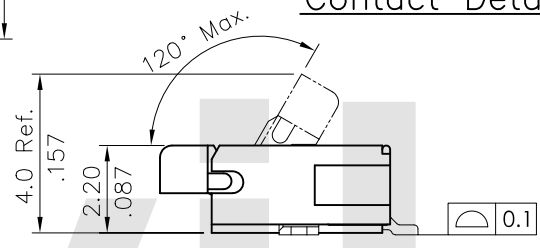
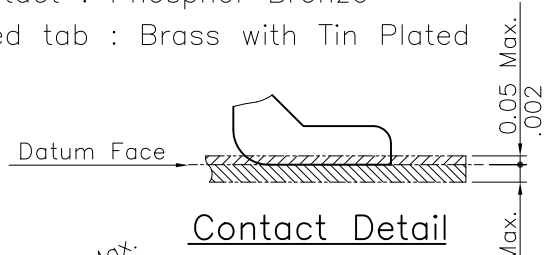
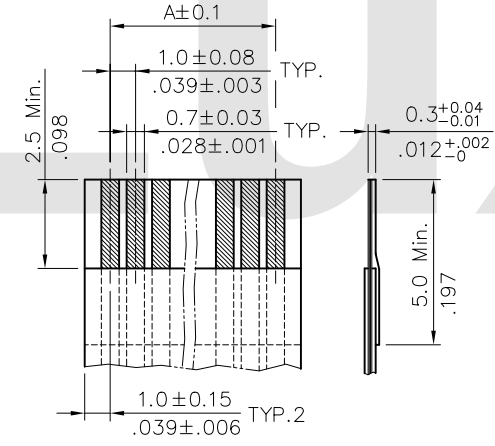


Material :

- * Body : Nylon 6T With 30% GF. UL 94V-0, Color Nature
- * Slider : Nylon 6T With 30% GF. UL 94V-0, Color Black
- * Contact : Phosphor Bronze
- * Fixed tab : Brass with Tin Plated



DIM.A = 1.00 x No. of Spaces
 DIM.B = DIM.A + 5.6
 DIM.C = DIM.A + 2.1
 * Available in 4 through 39 circuits

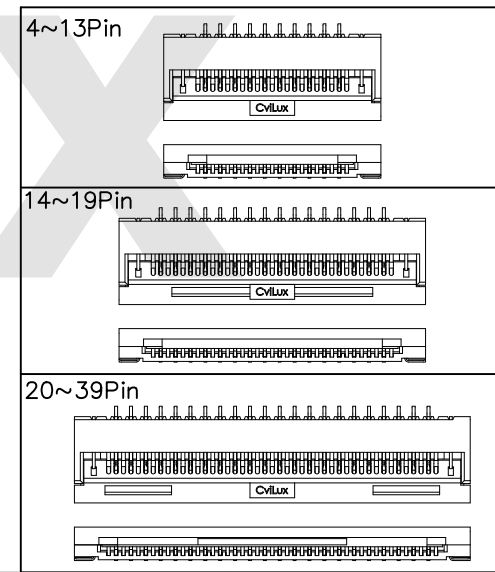


Accommodated FFC/FPC

Ordering Code


CF25 ** F D 0 *0 - 10 -NH
 ① ② ③ ④ ⑤ ⑥ ⑦ ⑧

- ① Series No.
- ② No. of Circuits
- ③ Plating code:
F = Selective Gold flash plated over Nickel
- ④ Contact style: D = Downside contact
- ⑤ Color: 0 = Nature
- ⑥ Other option: R0 = Tape & Reel
T0 = Tube Packing
- ⑦ Pitch: 10 = 1.00 mm
- ⑧ -NH = For Lead Free IR Processes and Halogen-Free



Recommended P.C. Board Layout

Halogen-Free Lead Free Process RoHS compliant

④					DATE	UNIT: mm / inch	TITLE: 1.00mm(.039") ZIF FFC/FPC ONE-TOUCH CONNECTOR	 瀚荃股份有限公司 CviLux Corporation
③					DRAWN BY: Sandy	3/08-16'	TOLERANCE UNLESS OTHERWISE SPECIFIED	
②	Sandy	3/8-16'	ECNT116028/ECRB116002	2016.03.17	ENGINEER: Sun	3/09-16'	.X ± 0.15/.006 .X' ± 1'	DRAWING NO. CF2592SC PART NO. CF25**FD0*0-10-NH
①	Enya	1/06-12'	ECN12272-0/ECR12080-1	ISSUED	CHECKED BY: Eisley	3/14-16'	.XX ± 0.10/.004 .X' ±	
SYM	NAME	DATE	REVISIONS		APPROVED BY: Eisley	3/14-16'	.XXX ± 0.05/.002 .XX' ±	SCALE 5 / 1 SHEET 1 OF 2

