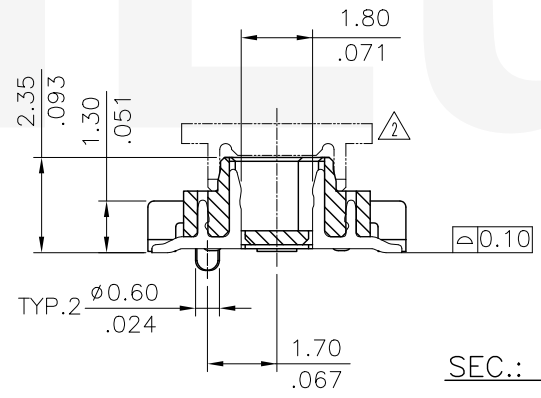
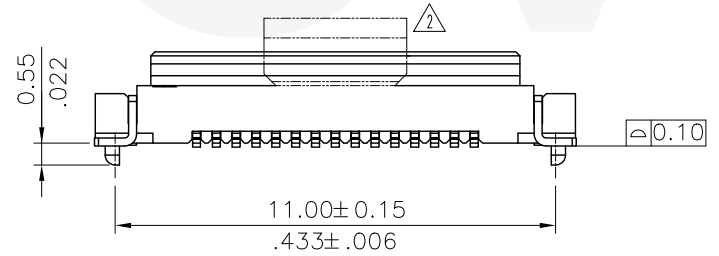
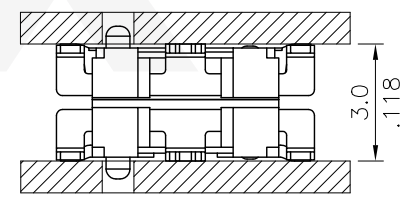


SEC.: X-X



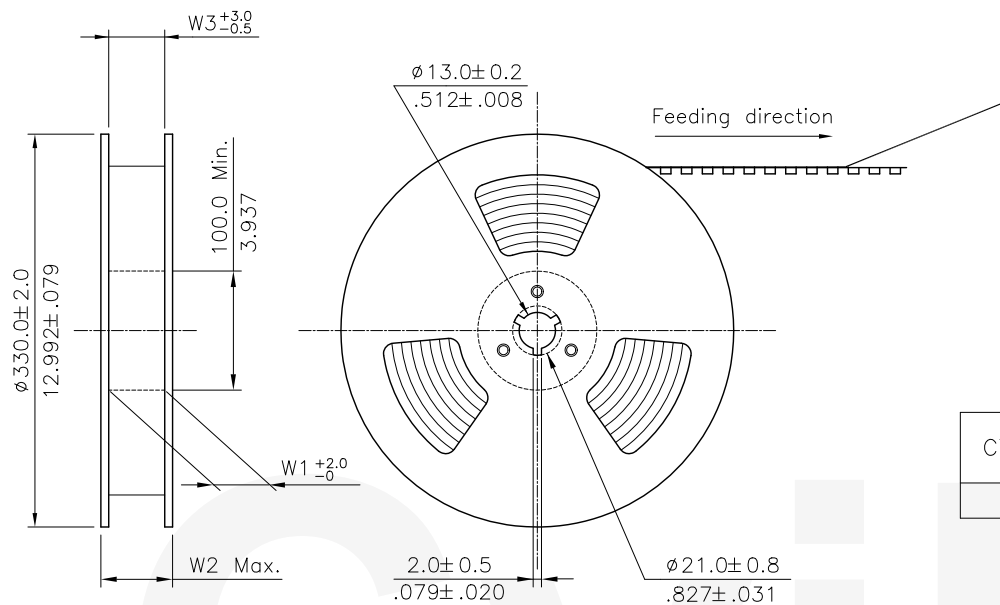
SEC.: A-A



Mating High

Lead Free Process Halogen-Free RoHS compliant

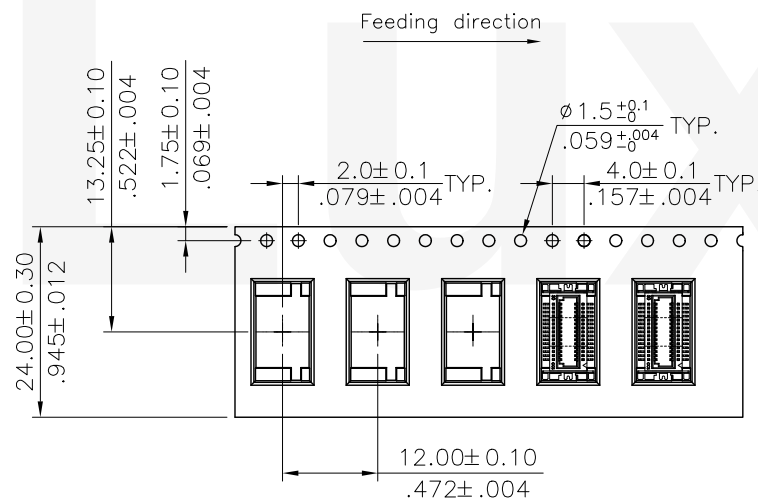
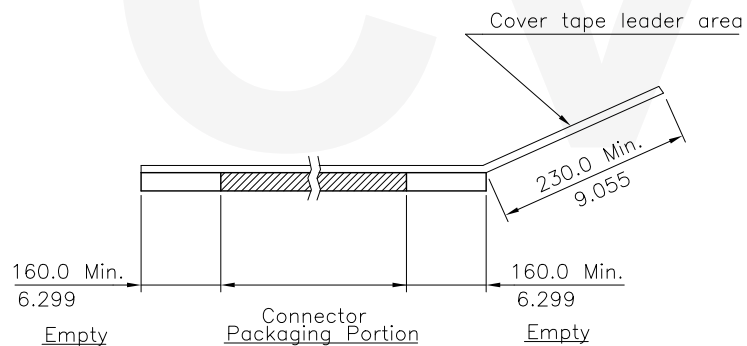
4						DATE	UNIT: mm / inch	TITLE: 0.50mm(.020") Board To Board Receptacle Connector	 瀚荃股份有限公司 CviLux Corporation	
3			DRAWN BY: Steven		1/10-11'	TOLERANCE UNLESS OTHERWISE SPECIFIED	MATERIAL:			
2	Steven	1/10-12'	ECN12007/ECR11092-0		ENGINEER: Clark	1/10-11'		.X ± 0.30/.012 .X' ± 1"		
1	Clark	12/20-11	ECN11282		CHECKED BY: David	1/10-11'	.XX ± 0.20/.008 .X' ±	FINISH:	DRAWING NO. CBRE03SB	PART NO. CBRE030SA2FP1R0-NH
SYM	NAME	DATE	REVISIONS		APPROVED BY: David	1/10-11'	.XXX ± 0.10/.004 .XX' ±		SCALE 5 / 1	SHEET 1 OF 3



NOTE :

- * Reel Material : Corrugated Paper
- * Carrier Material : Clear, Conductive Polystyrene Alloy
- * Cover Tape Material : Polyester
- * Cover Tape Peel Strength : 0.1N – 1.3N
- * Carrier camber is within 1mm in 100mm
- * All dimensions meet EIA-481-2 & EIA-481-3 requirements.
- * Quantity : 1300 PCS/Reel

Circuits	Dimension			Packing (Reel/Caton)
	W1	W2	W3	
30	24.5(.965)	30.5(1.200)	24.5(.965)	9



WIDTH : 24 mm Carrier

RoHS Compliant

SYM	NAME	DATE	REVISIONS	APPROVED BY:	DATE	UNIT: mm / inch	TITLE: 0.50mm(.020") Board To Board Receptacle Connector	DRAWING NO. CBRE03SB	PART NO. CBRE030SA2FP1R0-NH
4									
3									
2	Steven	1/10-12'	ECN12007/ECR11092-0	ENGINEER:	Clark	1/10-11'	MATERIAL:		
1	Clark	12/20-11	ECN11282	CHECKED BY:	David	1/10-11'	FINISH:		
				APPROVED BY:	David	1/10-11'		SCALE	SHEET 3 OF 3

CVILUX CORP
2012.01.11
ISSUED

瀚荃股份有限公司
CviLux Corporation