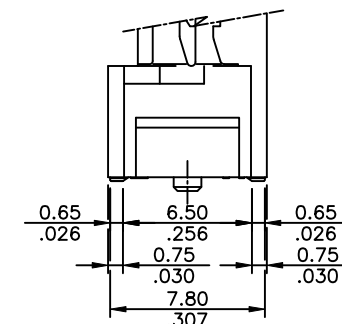
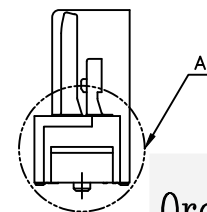
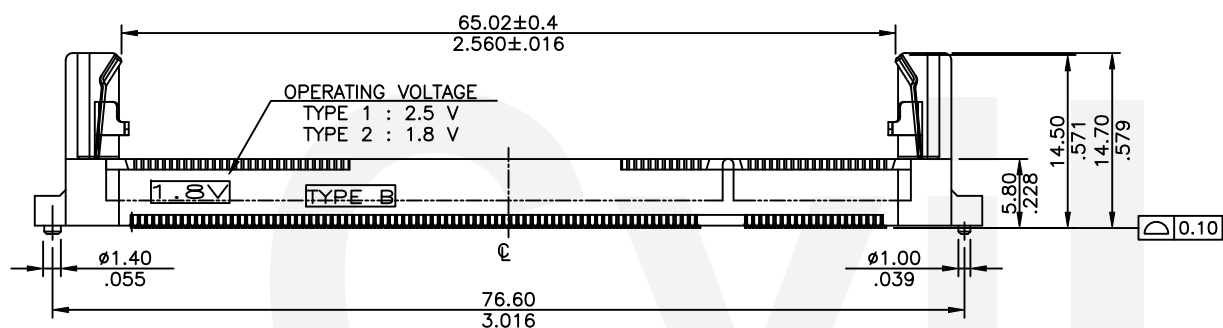


Note:

Material:

- * Insulation: LCP UL 94V-0
- * Contact: Phosphor Bronze
- * Latch: Steel (SUS)



DETAIL A

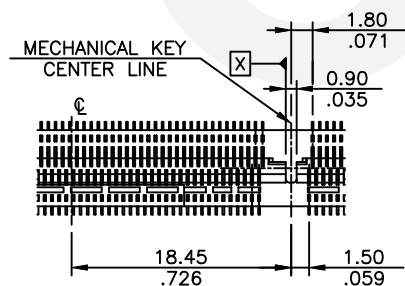
Ordering Code:

CS70 200 2 B *0
 ① ② ③ ④ ⑤

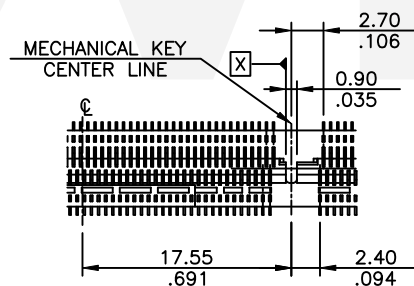
- ① Series No.
- ② No. of Circuits:
- ③ Plating :

Plating Code	Plating			
	Contact area	Soldertail	The Other area	Under plating
2	0.008μm(0.3μ") Gold flash	0.008μm(0.3μ") Gold flash	1.52μm(60μ") Nickel	1.52μm(60μ") Nickel

- ④ Type : B type
- ⑤ Option : 00=Type 2 (Power Supply 1.8V)
10=Type 1 (Power Supply 2.5V)



TYPE 1
POWER SUPPLY 2.5 V
(CS702002B10)

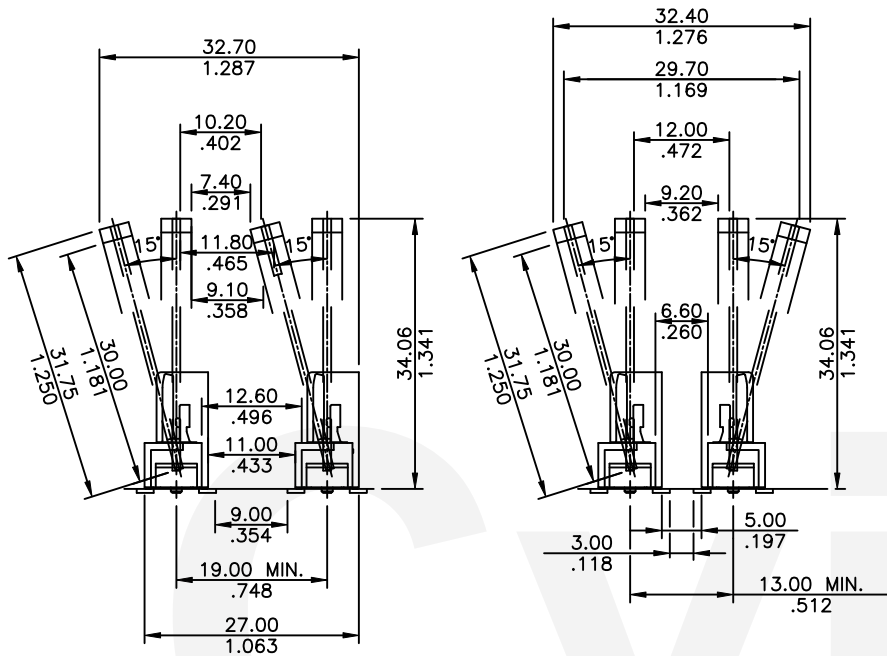


TYPE 2
POWER SUPPLY 1.8 V
(CS702002B00)

DETAIL C
MECHANICAL KEY TYPE

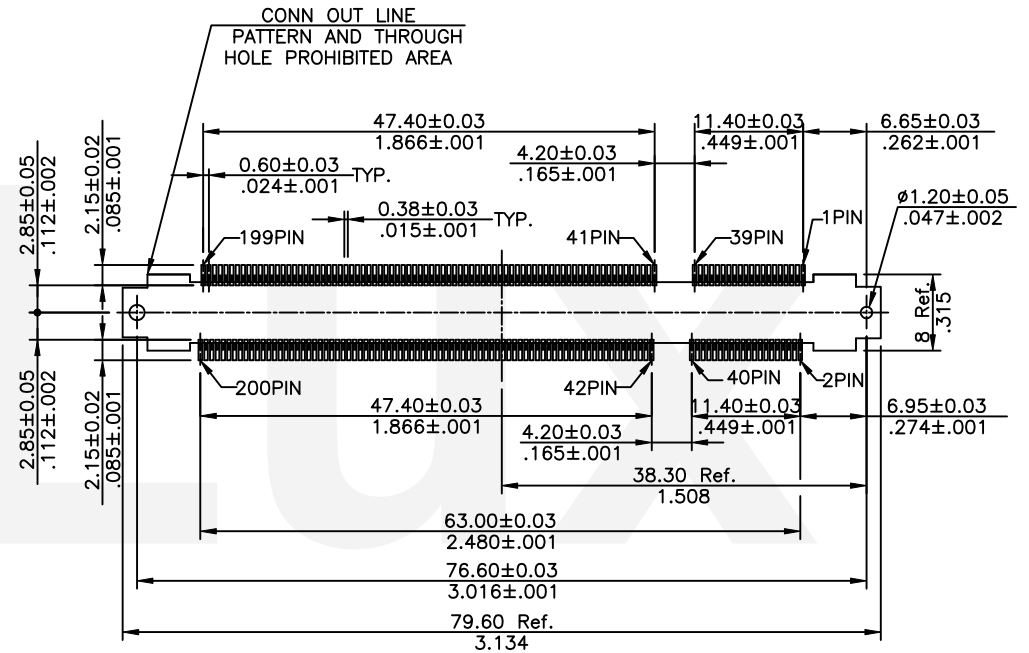
④					DATE	UNIT: mm / inch	TITLE:	瀚荃股份有限公司 CviLux Corporation
③					DRAWN BY: Karen	TOLERANCE UNLESS OTHERWISE SPECIFIED	DDR S.O DIMM SOCKET.(200PIN.)	
②					ENGINEER: Sun	.X ± - / - X' ± 3'	MATERIAL:	DRAWING NO. CS7002SB
①	Karen	2/17-21'	ECNT121038/ECRT120100		CHECKED BY: Eisley	.XX ± 0.20 / .009 X' ±	FINISH:	PART NO. CS702002B*0
SYM	NAME	DATE	REVISIONS		APPROVED BY: Eisley	.XXX ± - / - .XX' ±		SCALE 1 / 1
								SHEET 1 OF 4






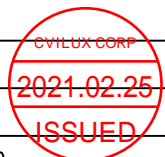
(CS702002B00+CS702002B00)

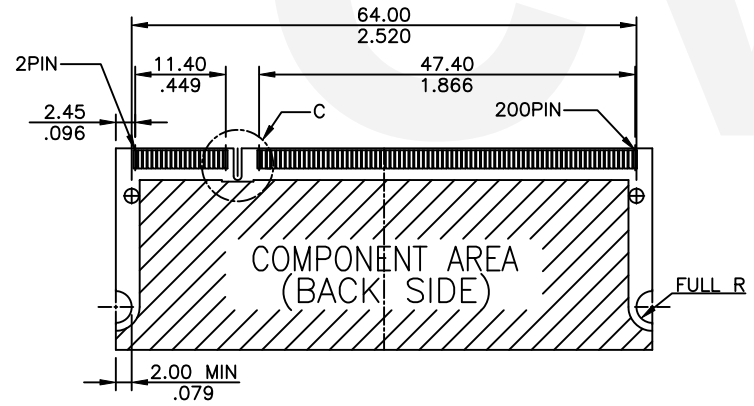
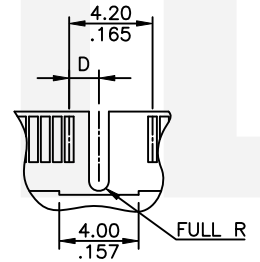
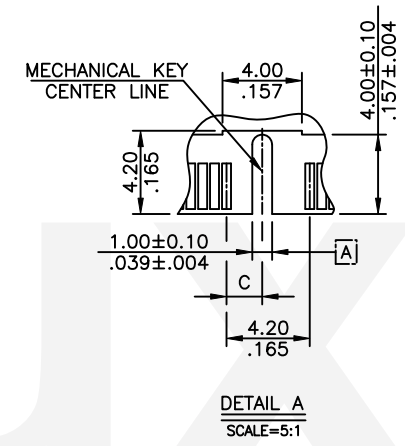
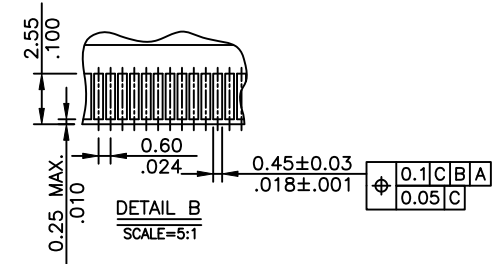
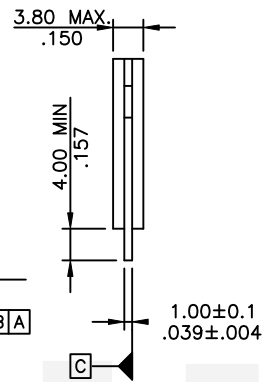
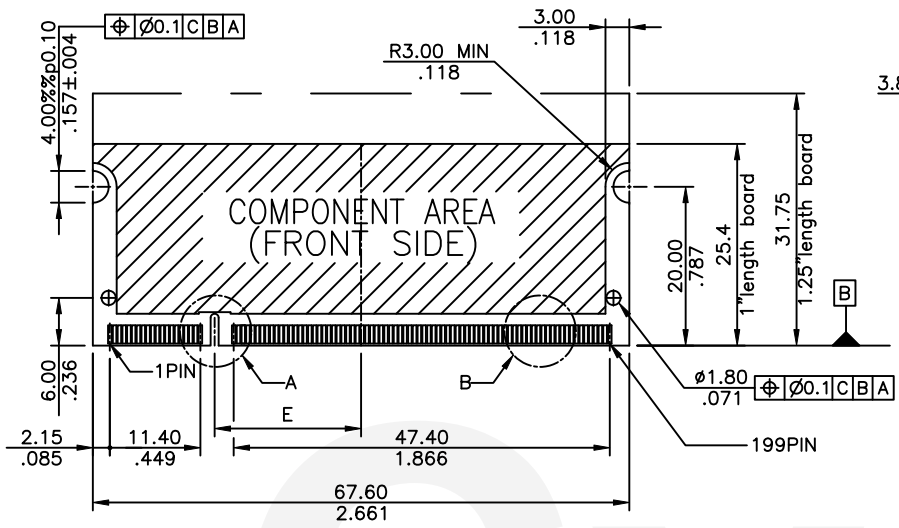
(CS702002A00+CS702002B00)



RECOMMENDED MOUNTING
P.C. BOARD PATTERN LAYOUT DIM.


4					DATE	UNIT: mm / inch	TITLE:	 瀚荃股份有限公司 CviLux Corporation
3					2/17-21'	TOLERANCE UNLESS OTHERWISE SPECIFIED	DDR S.O DIMM SOCKET.(200PIN.)	
2					2/18-21'	.X ± - / - X' ± 3'	MATERIAL:	DRAWING NO. CS7002SB PART NO. CS702002B*0
1	Karen	2/17-21'	ECNT121038/ECRT120100	CHECKED BY:	Eisley	.XX ± 0.20 / .009 X' ±	FINISH:	
SYM	NAME	DATE	REVISIONS	APPROVED BY:	Eisley	.XXX ± - / - .XX ±		SCALE 1 / 1 SHEET 2 OF 4

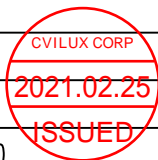


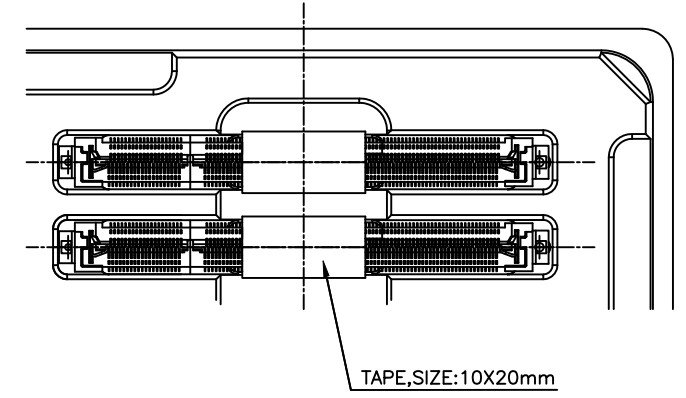
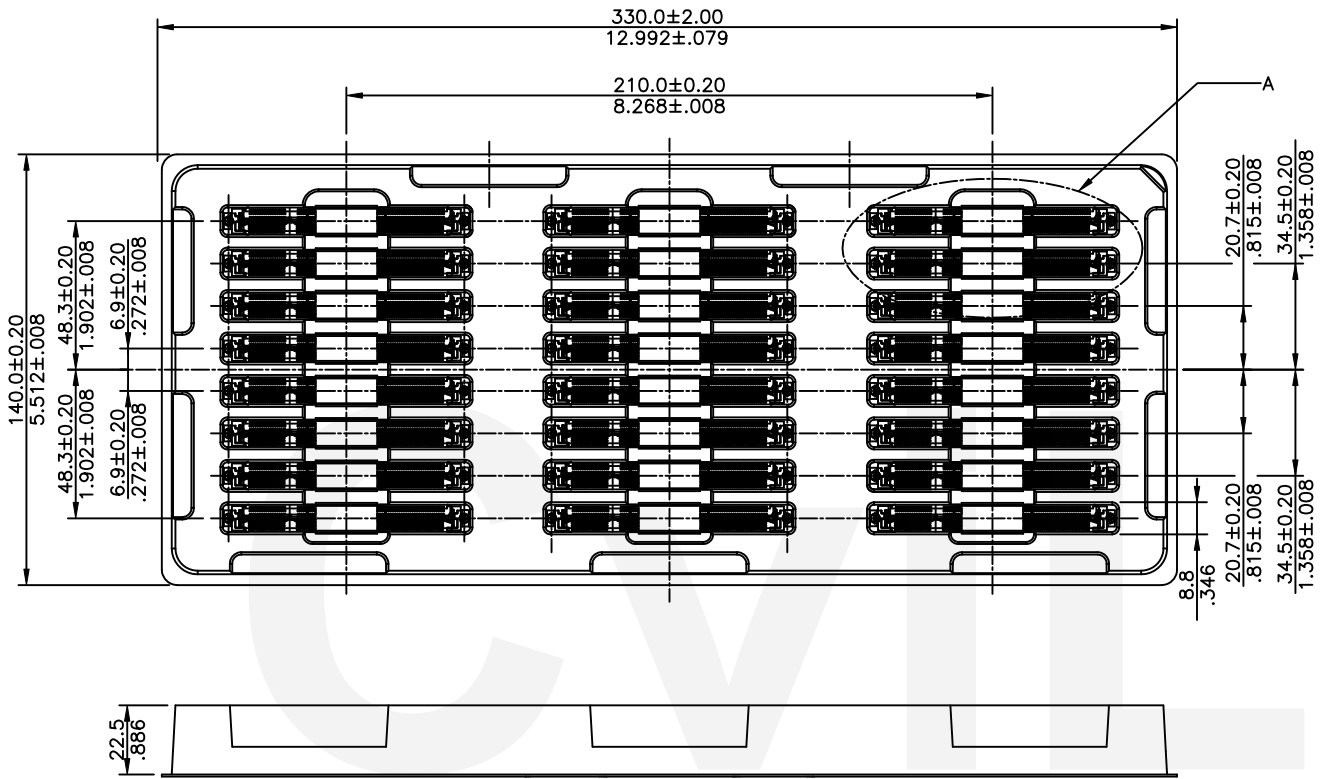


RECOMMENDED MATING
P.C. BOARD DIM.

Cvilux P/N	POWER SUPPLY	Dimension		
		C	D	E
CS702002B00	1.8V	2.70(.106)	2.40(.094)	17.55(.691)
CS702002B10	2.5V	1.80(.071)	1.50(.059)	18.45(.726)

4					DATE	UNIT: mm / inch	TITLE:	 瀚荃股份有限公司 Cvilux Corporation
3					DRAWN BY: Karen	TOLERANCE UNLESS OTHERWISE SPECIFIED	DDR S.O DIMM SOCKET.(200PIN.)	
2					ENGINEER: Sun	.X ± - / - .X' ± 3'	MATERIAL:	DRAWING NO. CS7002SB PART NO. CS702002B*0 SCALE 1 / 1 SHEET 3 OF 4
1	Karen	2/17-21'	ECNT121038/ECRT120100		CHECKED BY: Eisley	.XX ± 0.20 / .009 .X' ±	FINISH:	
SYM	NAME	DATE	REVISIONS		APPROVED BY: Eisley	.XXX ± - / - .XX' ±		






DETAIL A

NOTE :

Quantity : 24 PCS/TRAY

4					DATE	UNIT: mm / inch	TITLE:	 瀚荃股份有限公司 CviLux Corporation
3				DRAWN BY: Karen	2/17-21'	TOLERANCE UNLESS OTHERWISE SPECIFIED	DDR S.O DIMM SOCKET.(200PIN.)	
2				ENGINEER: Sun	2/18-21'	.X ± / X' ±	MATERIAL:	
1	Karen	2/17-21'	ECNT121038/ECRT120100	CHECKED BY: Eisley	2/19-21'	.XX ± / X' ±	FINISH:	
SYM	NAME	DATE	REVISIONS	APPROVED BY: Eisley	2/19-21'	.XXX ± / .XX' ±		DRAWING NO. CS7002SB
								PART NO. CS702002B*0
								SCALE 1 / 1
								SHEET 4 OF 4

CIVILUX CORP
 2021.02.25
 ISSUED