

Note:

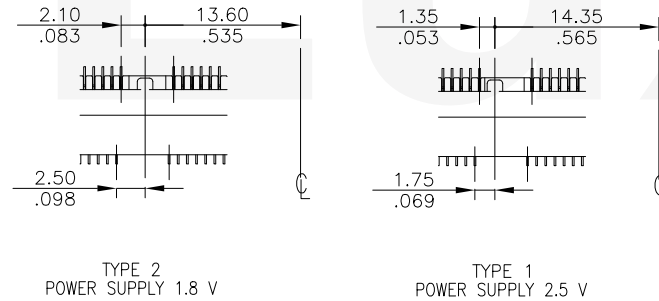
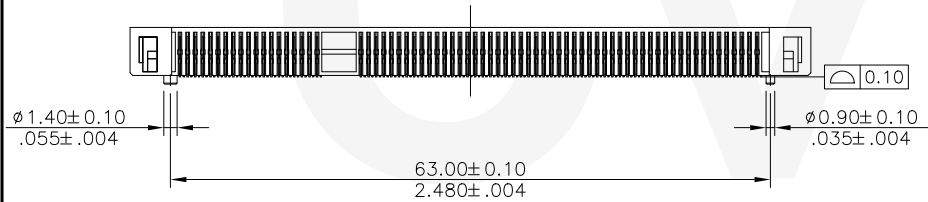
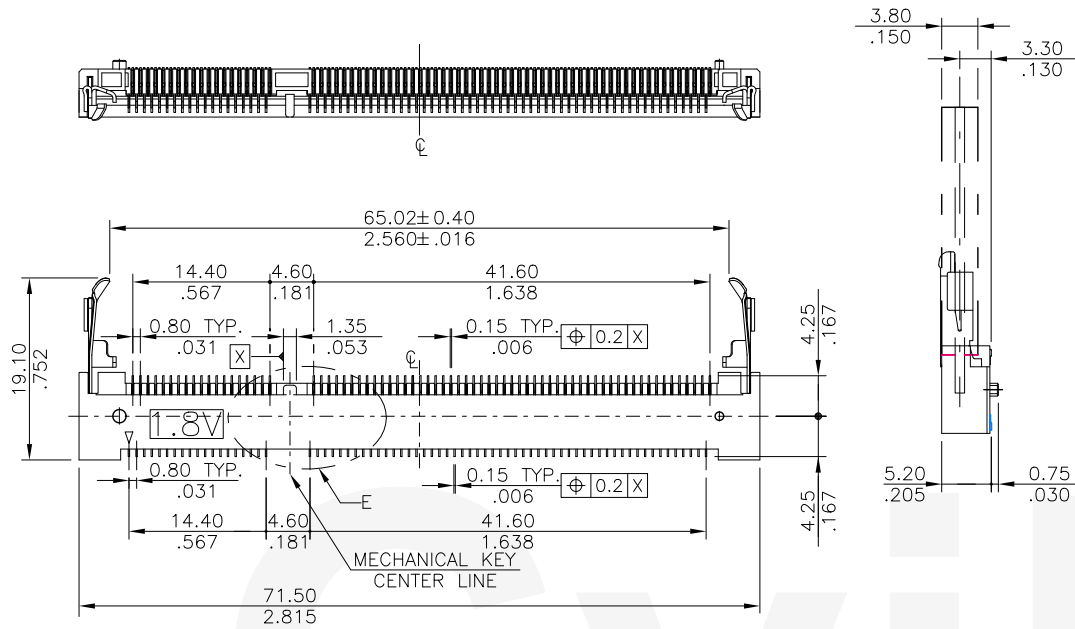
Material:

- * Insulation: LCP UL 94V-0
- * Contact: Copper alloy
- * Latch: Steel (SUS)

Ordering Code:

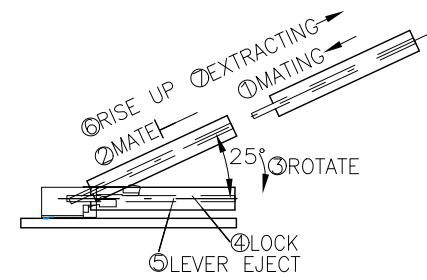
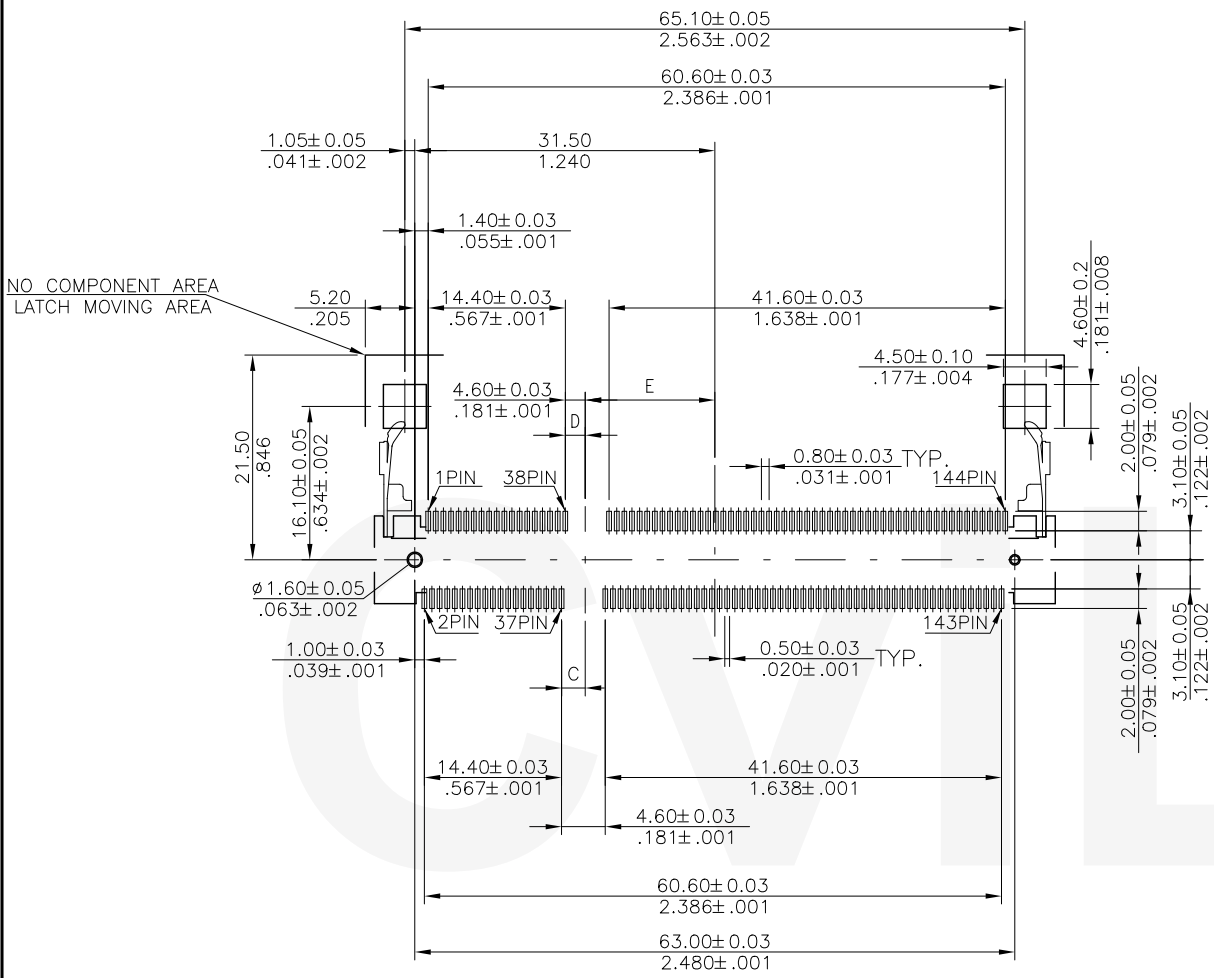
CS69 144 2 C A0 - *0
 ① ② ③ ④ ⑤ ⑥

- ① Series No.
- ② No. of Circuits:
- ③ Plating :
2= Gold flash over 50u" Nickel
- ④ Height : C=5.2mm
- ⑤ Type : A0=Type 2 (Power Supply 1.8V)
A1=Type 1 (Power Supply 2.5V)
- ⑥ Option: 00= Standard(Tray Packing)
R0=Reel Packing

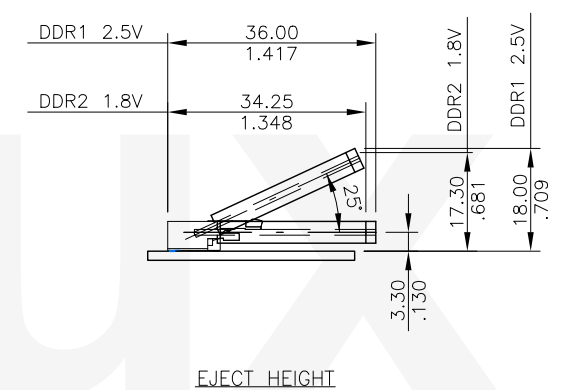


DETAIL E
MECHANICAL KEY TYPE

| | | | | | | | | |
|--|------|------|--------------------|--------------------|----------------------------|--------------------------------------|--|--------------|
| <div style="border: 2px solid red; border-radius: 50%; padding: 5px; text-align: center; color: red;"> CIVILUX CORP 2012.11.07 ISSUED </div> | | | | DATE | UNIT: mm / inch | TITLE: | 瀚荃股份有限公司 CviLux Corporation | |
| | 4 | | | DRAWN BY: Enya | 10/19-12' | DDR S.O DIMM SOCKET.(200PIN.) | | |
| | 3 | | | ENGINEER: Eisley | 10/26-12' | TOLERANCE UNLESS OTHERWISE SPECIFIED | | |
| | 2 | | | CHECKED BY: Eisley | 10/26-12' | .X ± - / - X' ± 3' | | |
| 1 | | | APPROVED BY: David | 10/26-12' | .XX ± 0.20 / .009 .X' ± | MATERIAL: | DRAWING NO. CS6901SA | |
| SYM | NAME | DATE | REVISIONS | | .XXX ± - / - .XX ± | FINISH: | PART NO. CS691442CA*- *0 | |
| | | | | | | | SCALE | SHEET 1 OF 5 |



HOW TO MATE AND UNMATE
 MATE ① - ④
 UNMATE ⑤ - ⑦



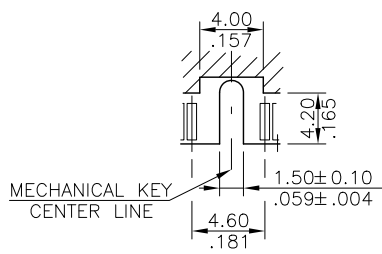
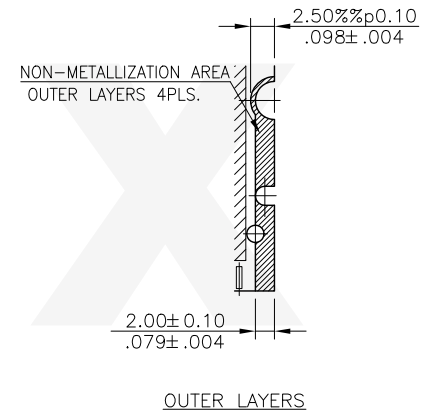
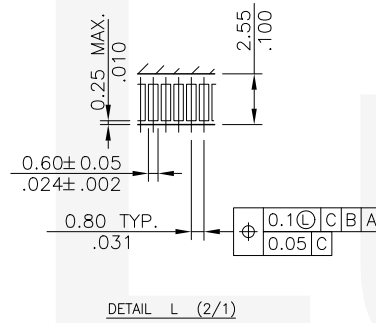
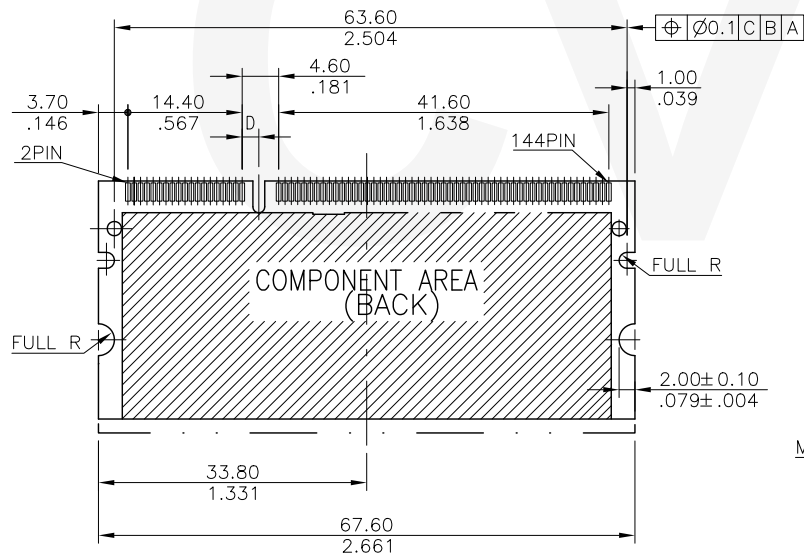
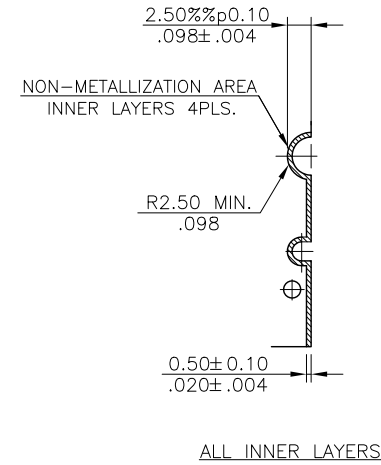
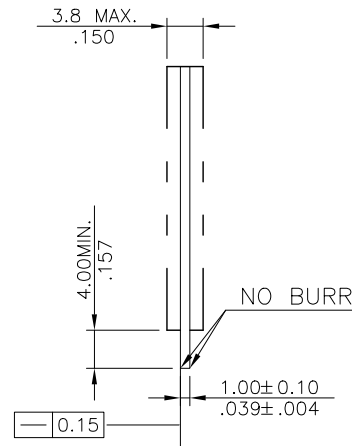
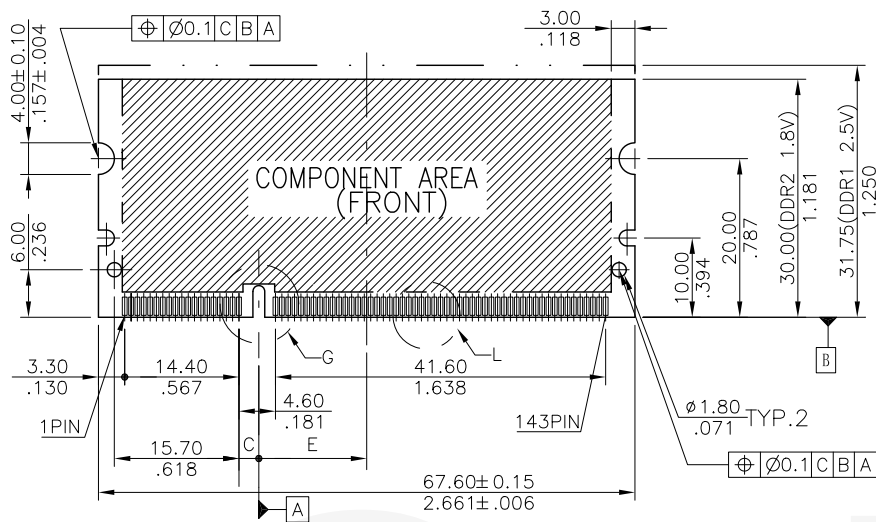
RECOMMENDED MOUNTING
 P.C. BOARD PATTERN LAYOUT DIM.

| Type (Power Supply) | Dimension | | |
|------------------------|------------|------------|-------------|
| | C | D | E |
| Type 2 (1.8V) | 2.50(.098) | 2.10(.083) | 13.60(.535) |
| Type 1 (2.5V) | 1.75(.069) | 1.35(.053) | 14.35(.565) |

| | | | | | | | |
|-----|------|------|-----------|--------------|-----------|----------------------------|-------------------------------|
| 4 | | | | | DATE | UNIT: mm / inch | TITLE: |
| 3 | | | | | 10/19-12' | TOLERANCE | DDR S.O DIMM SOCKET.(200PIN.) |
| 2 | | | | | 10/26-12' | UNLESS OTHERWISE SPECIFIED | MATERIAL: |
| 1 | | | | | 10/26-12' | .X ± - / - X: ± 3' | FINISH: |
| SYM | NAME | DATE | REVISIONS | APPROVED BY: | 10/26-12' | .XX ± 0.20 / .009 .X ± | |
| | | | | David | | .XXX ± - / - .XX ± | |

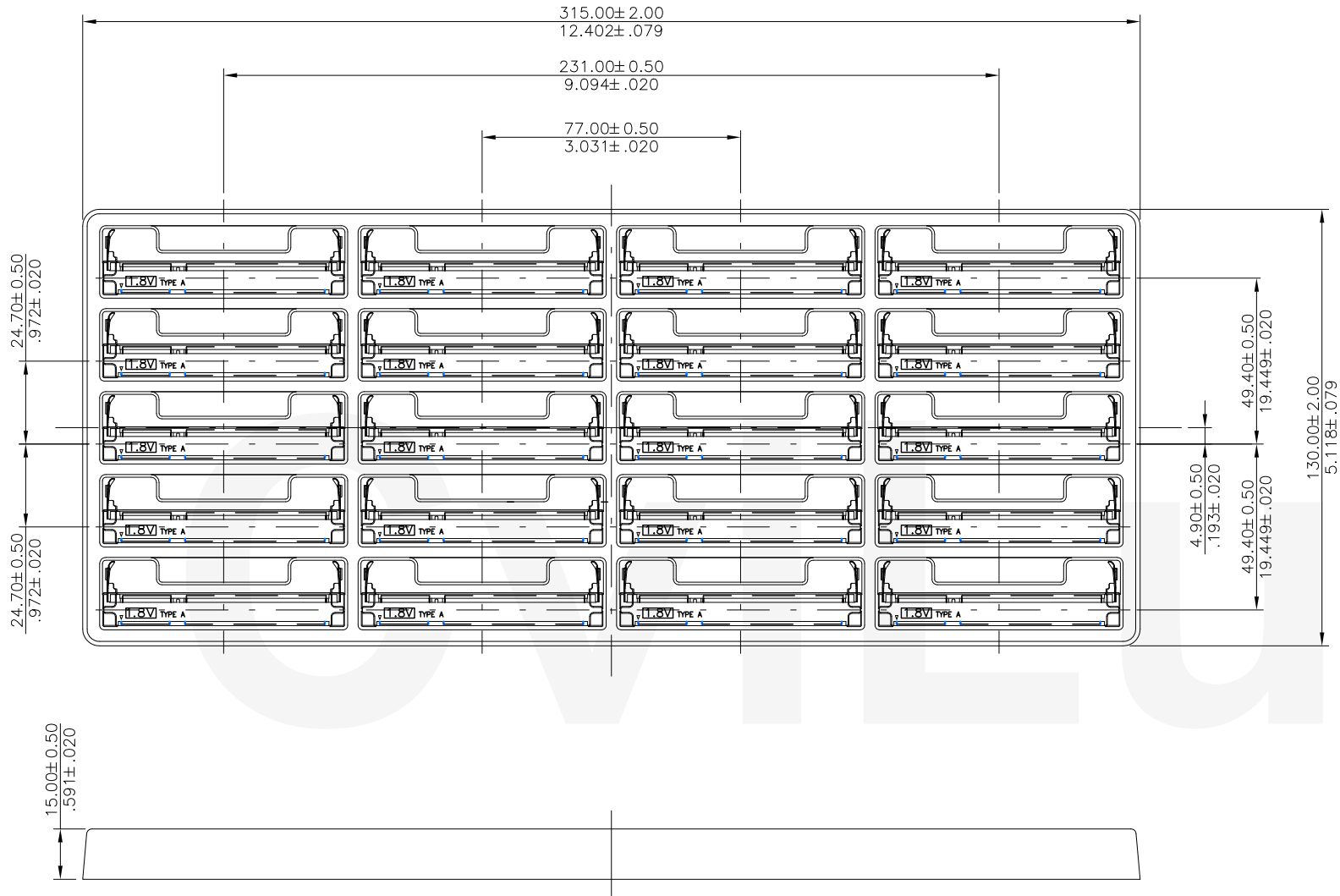


| | | | |
|-------------|----------|----------|----------------|
| DRAWING NO. | CS6901SA | PART NO. | CS691442CA*-#0 |
| SCALE | 1 / 1 | SHEET | 2 OF 5 |



| Type (Power Supply) | Dimension | | |
|------------------------|------------|------------|-------------|
| | C | D | E |
| Type 1 (1.8V) | 2.50(.098) | 2.10(.083) | 13.60(.535) |
| Type 2 (2.5V) | 1.75(.069) | 1.35(.053) | 14.35(.565) |

| | | | | | | | | | | | |
|-----|------|------|-----------|--------------------|-----------|--------------------------------------|---------|-------------------------------|------------------------------------|----------|----------------|
| 4 | | | | | DATE | UNIT: mm / inch | | TITLE: | 瀚荃股份有限公司 CviLux Corporation | | |
| 3 | | | | DRAWN BY: Enya | 10/19-12' | TOLERANCE UNLESS OTHERWISE SPECIFIED | | DDR S.O DIMM SOCKET.(200PIN.) | | | |
| 2 | | | | ENGINEER: Eisley | 10/26-12' | .X ± - / - | X' ± 3' | MATERIAL: | | | |
| 1 | | | | CHECKED BY: Eisley | 10/26-12' | .XX ± 0.15 / .006 | .X' ± | FINISH: | | | |
| SYM | NAME | DATE | | APPROVED BY: David | 10/26-12' | .XXX ± - / - | .XX' ± | | | | |
| | | | REVISIONS | | | | | DRAWING NO. | CS6901SA | PART NO. | CS691442CA*-#0 |
| | | | | | | | | SCALE | 1 / 1 | SHEET | 3 OF 5 |



NOTES:

Quantity : 20 PCS/Tray

SOFT TRAY PACKAGING



| | | |
|--------------|--------|-----------|
| DRAWN BY: | Enya | 10/19-12' |
| ENGINEER: | Eisley | 10/26-12' |
| CHECKED BY: | Eisley | 10/26-12' |
| APPROVED BY: | David | 10/26-12' |

| | |
|--------------------------------------|--------|
| UNIT: mm / inch | |
| TOLERANCE UNLESS OTHERWISE SPECIFIED | |
| .X ± / | X' ± |
| .XX ± / | .X' ± |
| .XXX ± / | .XX' ± |

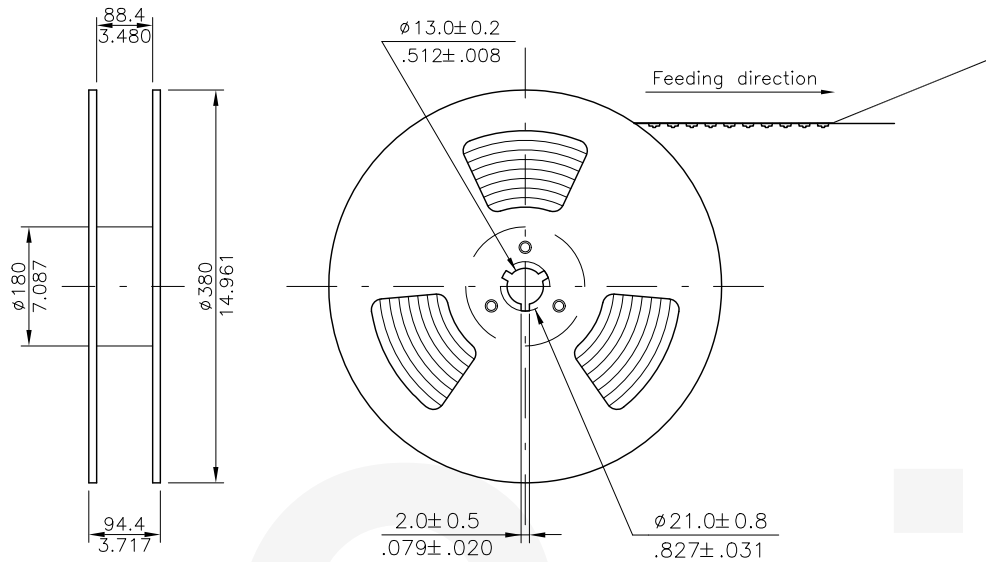
| | |
|-----------|-------------------------------|
| TITLE: | DDR S.O DIMM SOCKET.(200PIN.) |
| MATERIAL: | |
| FINISH: | |



瀚荃股份有限公司
CviLux Corporation

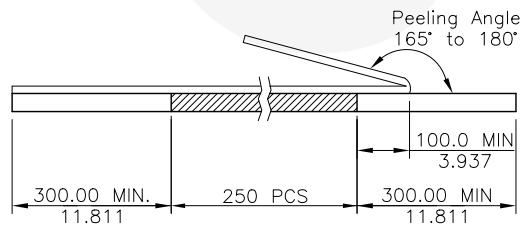
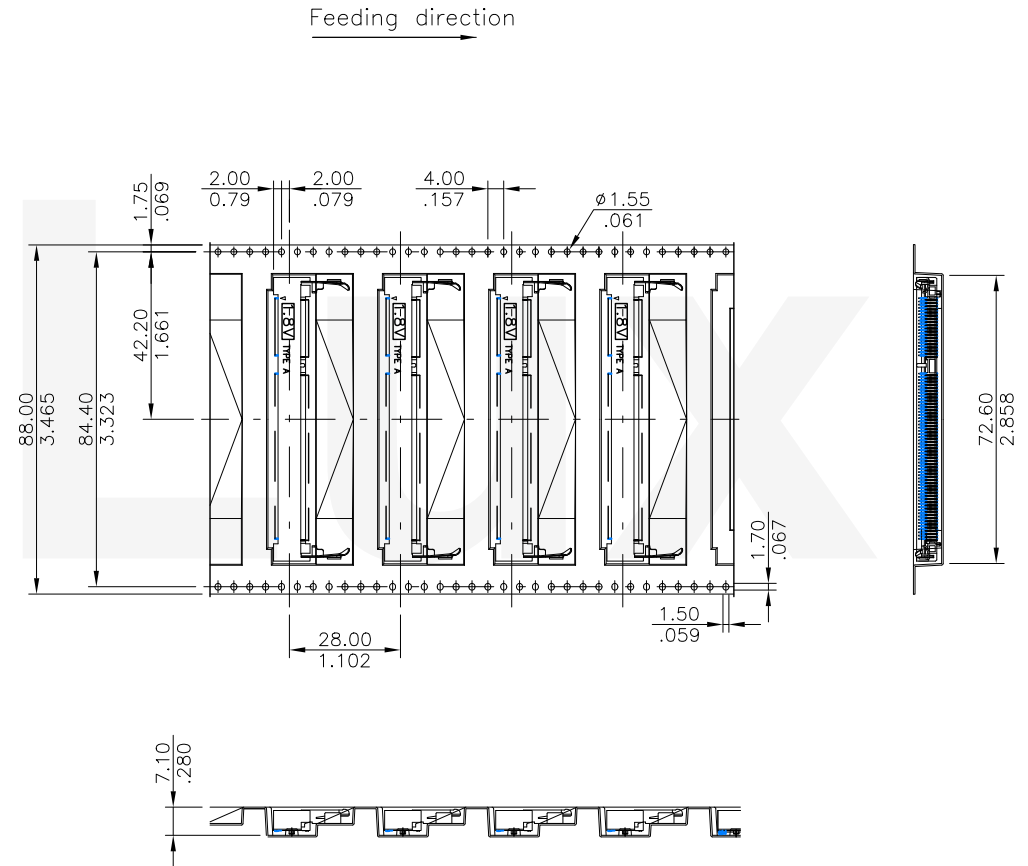
| | | | |
|-------------|----------|----------|----------------|
| DRAWING NO. | CS6901SA | PART NO. | CS691442CA*-#0 |
| SCALE | 1 / 1 | SHEET | 4 OF 5 |

| | | | |
|-----|------|------|-----------|
| 4 | | | |
| 3 | | | |
| 2 | | | |
| 1 | | | |
| SYM | NAME | DATE | REVISIONS |



NOTES:

- * Cover Tape Peeling Angle : 165° to 180°
- * Exfoliation Speed : 300mm/minute
- * Cover Tape Peel Strength : 10.0~150.0gf
- * Quantity : 250 PCS/Reel



Empty Packaging Portion Empty

4

3

2

1

SYM

NAME

DATE

REVISIONS

APPROVED BY:

David

10/26-12'

DATE

UNIT: mm / inch

TOLERANCE
UNLESS OTHERWISE SPECIFIED

.X ± / X' ±

.XX ± / .X' ±

.XXX ± / .XX' ±

TITLE:

DDR S.O DIMM SOCKET.(200PIN.)

MATERIAL:

FINISH:



瀚荃股份有限公司
CviLux Corporation

DRAWING NO.

CS6901SA

PART NO.

CS691442CA*-0

SCALE

1 / 1

SHEET

5 OF 5

