

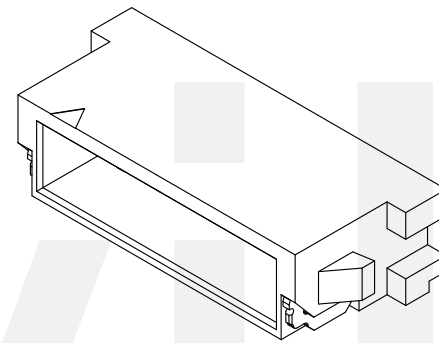
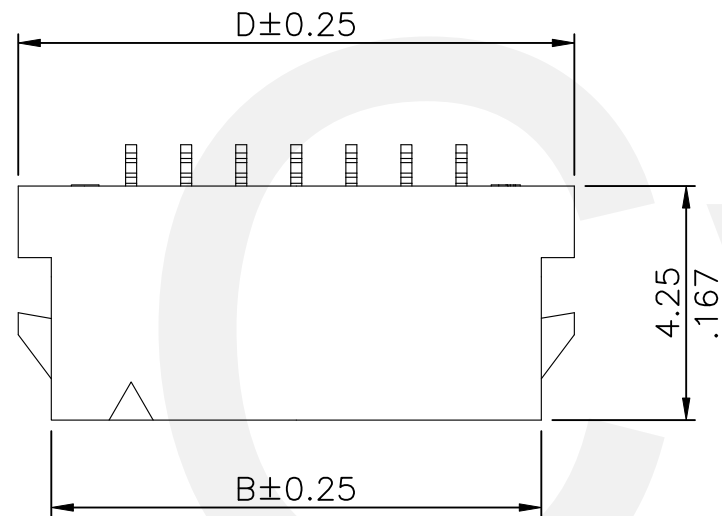
Material:

Base: High temperature plastic UL 94V-0, Color Nature  
 Contact: Copper alloy  
 Tab: Copper alloy with Matte Tin plated

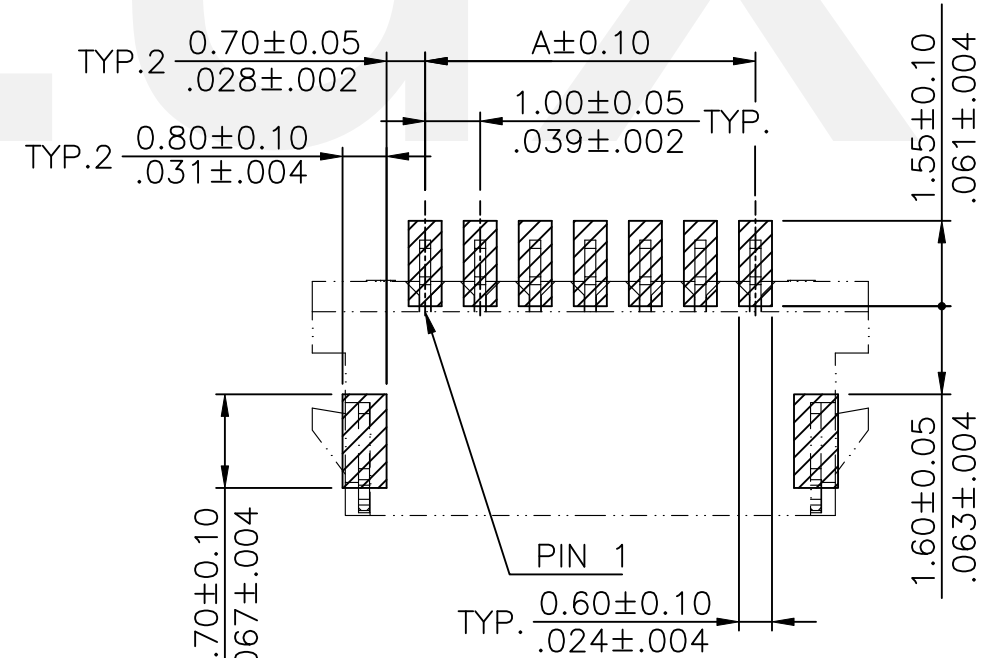
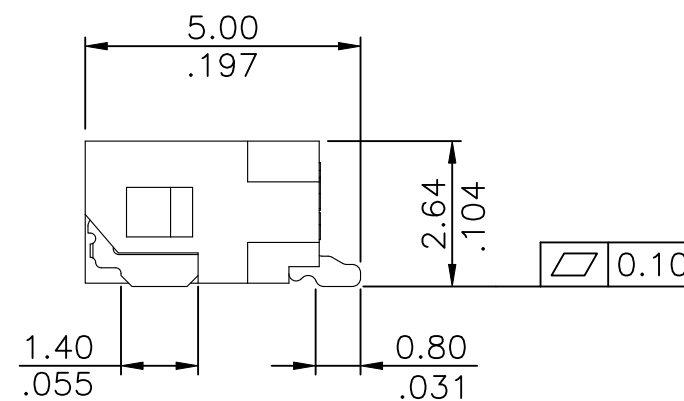
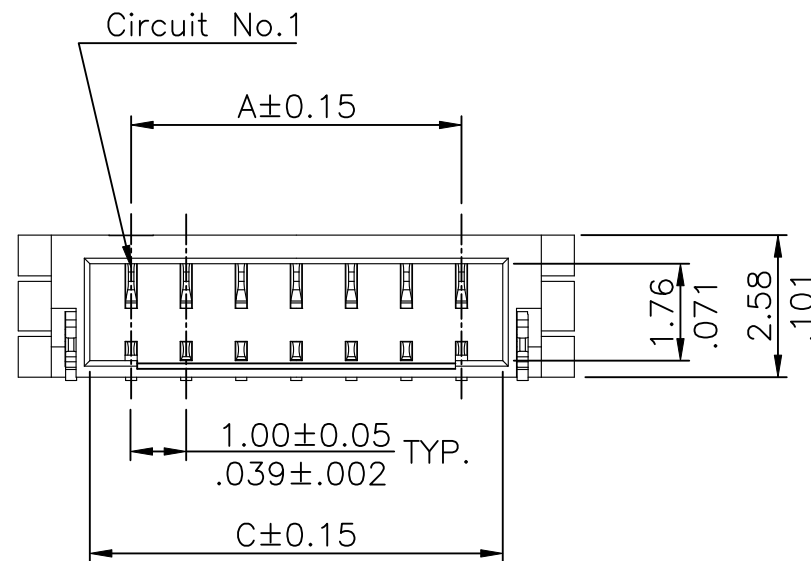
Ordering Code:

CI14 **\*\*** M \* H R I - NH  
 ① ② ③ ④ ⑤ ⑥ ⑦ ⑧

- ① Series No.
- ② No. of Circuits: 03~20 Pin
- ③ M= SMT type header
- ④ Plating: 1= Matte Tin over Nickel  
2= Gold flash plated over Nickel
- ⑤ Type: H= Side Entry
- ⑥ Packing Options: R= Tape & Reel packing
- ⑦ Option: I = Twins Latch Type
- ⑧ Other option:  
-NH= For Lead Free Reflow Processes and Halogen-Free



DIM. A = 1.00 x NO. OF SPACES  
 DIM. B = DIM. A + 2.90  
 DIM. C = DIM. A + 1.50  
 DIM. D = DIM. A + 4.10  
 \* AVAILABLE IN 3 THROUGH 20  
 CIRCUITS




Recommended P.C. Board Layout

Halogen-Free

Lead Free Process

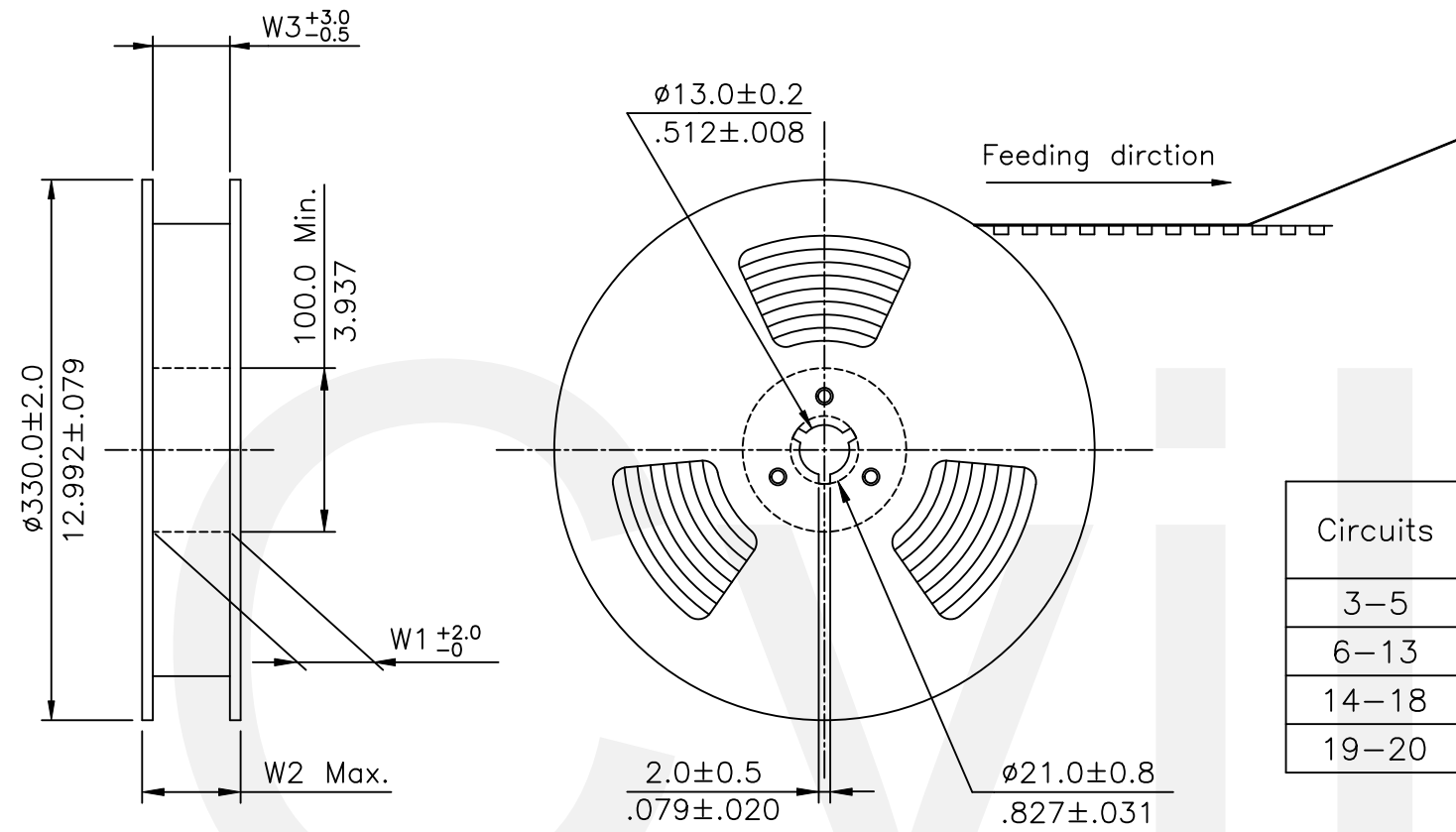
RoHS Compliant

④					DATE	UNIT: mm / inch	TITLE: 1.00MM(.039") WIRE TO BOARD CONNECTOR	 瀚荃股份有限公司 CviLux Corporation
③	Iuo	11/21-25'	ECRQ125039/ECNT125329	DRAWN BY: Iuo	11/21-25'	TOLERANCE UNLESS OTHERWISE SPECIFIED	MATERIAL:	
②	Sun	03/10-25'	ECNT124049	ENGINEER: Sun	11/21-25'	.X ± 0.25/.010    X' ± 1"	CUSTOMER:	
①	Jessie	10/12-23'	ECNT123179/ECRB123029	CHECKED BY: Eisley	11/21-25'	.XX ± 0.15/.006    .X' ±	DRAWING NO. CI1470SD    PART NO. CI14**M*HRI-NH	
SYM	NAME	DATE	REVISIONS	APPROVED BY: Eisley	11/21-25'	.XXX ± 0.08/.003    .XX' ±	SCALE 5 / 1    SHEET 1 OF 2	

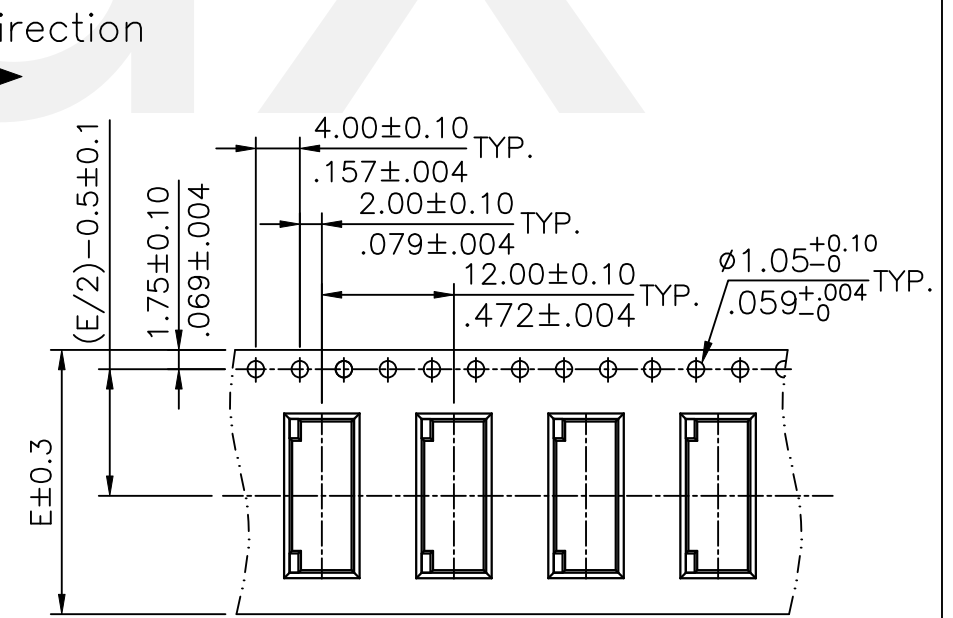
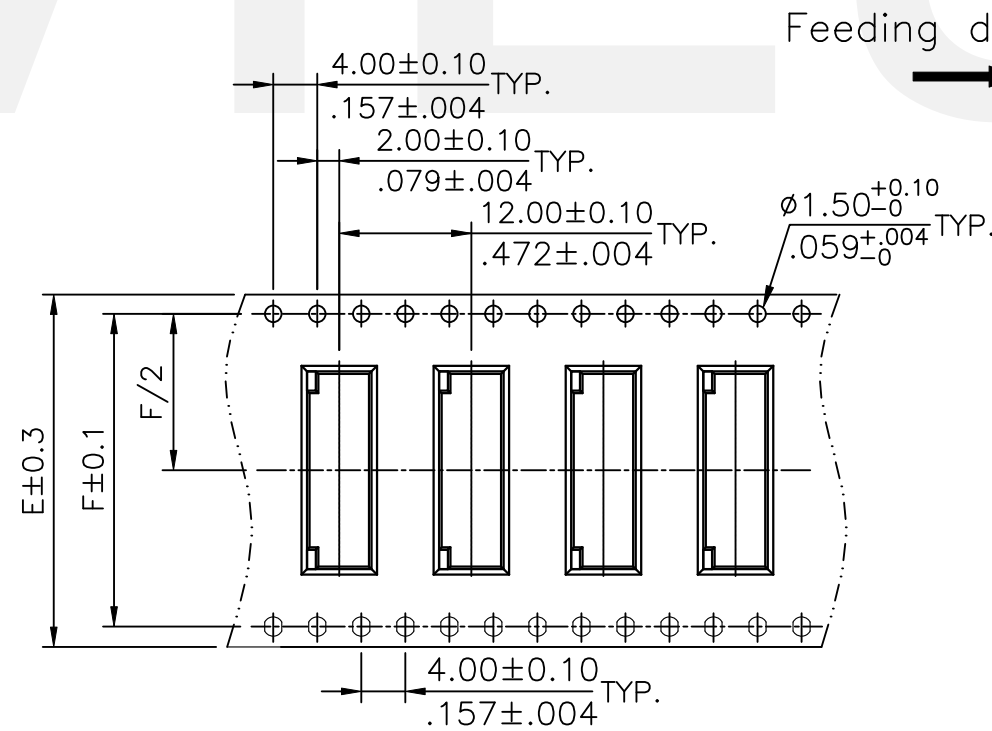
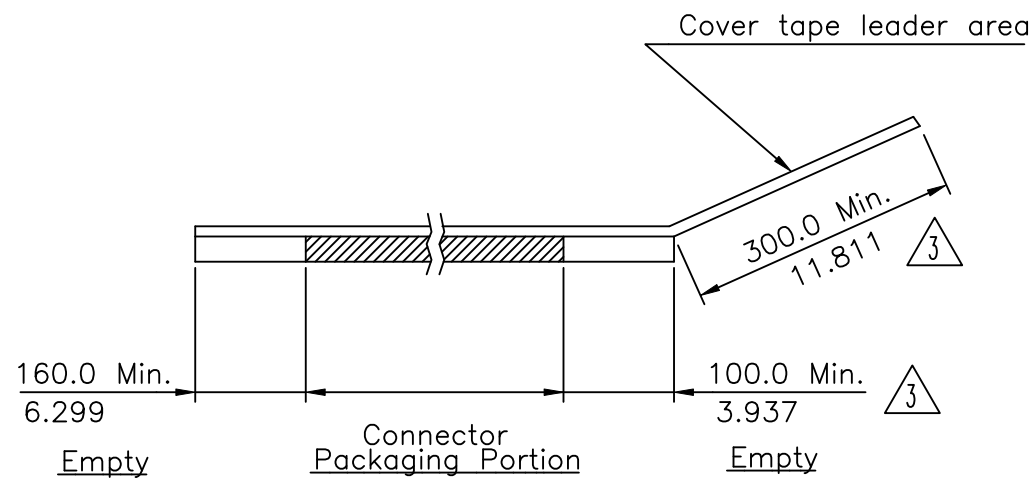


NOTE :

- ① \* Reel Material : HIPS
- \* Carrier Material : Clear Conductive Polystyrene Alloy
- \* Cover Tape Material : Polyester
- \* Cover Tape Peel Strength : 0.1N – 1.3N
- \* Carrier camber is within 1mm in 100mm
- \* All dimensions meet EIA-481 requirements
- \* Quantity : 1800 PCS/Reel




Circuits	Dimension					Packing (Reel/Carton)
	E	F	W1	W2	W3	
3-5	16.0(.630)	-	16.5(.650)	22.5(.886)	16.5(.650)	11
6-13	24.0(.945)	-	24.5(.965)	30.5(1.201)	24.5(.965)	9
14-18	32.0(1.260)	28.40(1.118)	32.5(1.280)	38.5(1.516)	32.5(1.280)	7
19-20	44.0(1.732)	40.40(1.591)	44.5(1.752)	50.5(1.988)	44.5(1.752)	5



WIDTH : 32,44 mm Carrier

WIDTH : 16,24 mm Carrier

RoHS Compliant

SYM	NAME	DATE	REVISIONS	APPROVED BY:	Eisley	11/21-25'	UNIT: mm / inch	TITLE: 1.00MM(.039") WIRE TO BOARD CONNECTOR	 瀚荃股份有限公司 CviLux Corporation
④									
③	Iuo	11/21-25'	ECRQ125039/ECNT125322	DRAWN BY:	Iuo	11/21-25'	TOLERANCE UNLESS OTHERWISE SPECIFIED		SCALE
②	Sun	03/10-25'	ECNT124049	ENGINEER:	Sun	11/21-25'	.X ± X' ± 1'	MATERIAL:	
①	Jessie	10/12-23'	ECNT123179/ECRB123029	CHECKED BY:	Eisley	11/21-25'	.XX ± .X' ±	FINISH:	
				APPROVED BY:	Eisley	11/21-25'	.XXX ± .XX' ±		

CviLux Corp  
 2025/12/17  
 ISSUED