

Note:

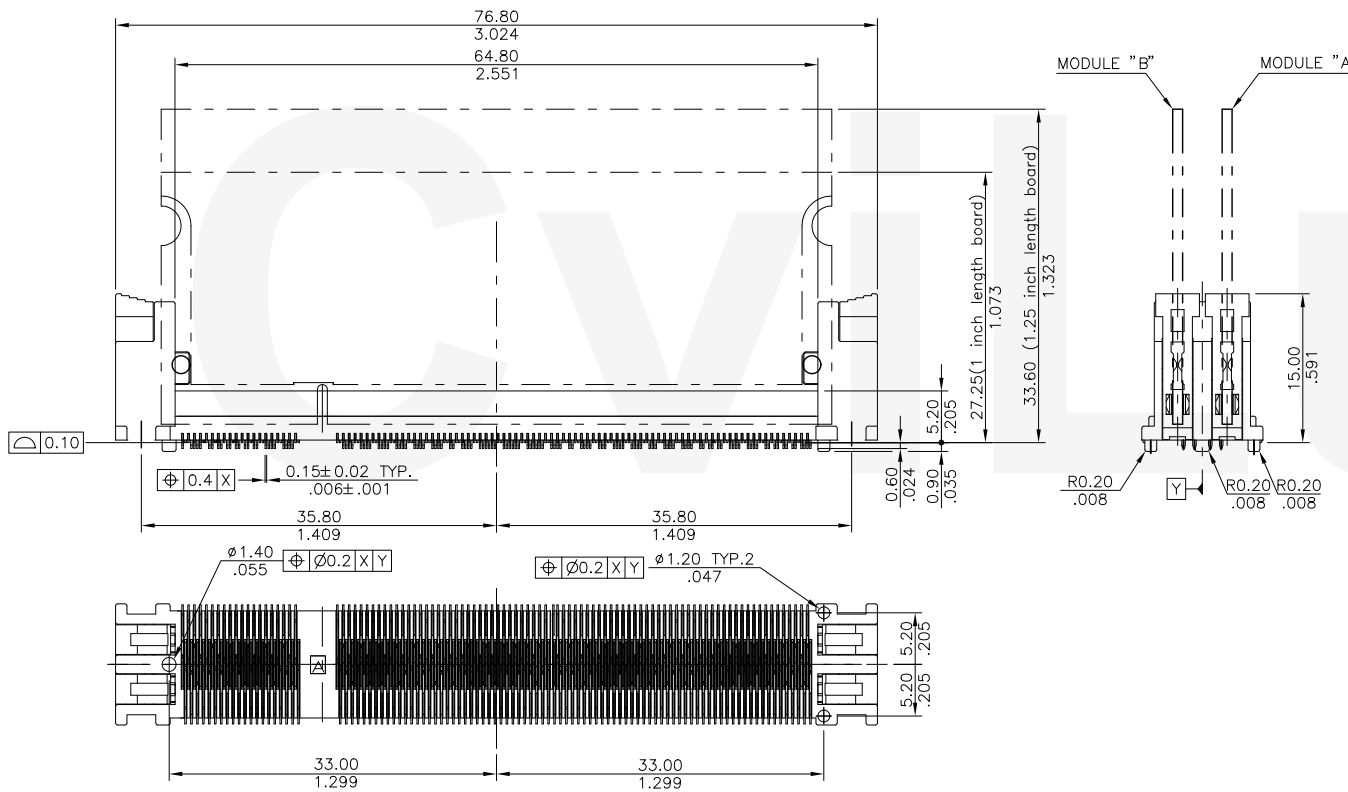
Material:

- * Insulation: LCP UL 94V-0
- * Contact: Copper alloy
- * Latch: Steel (SUS)

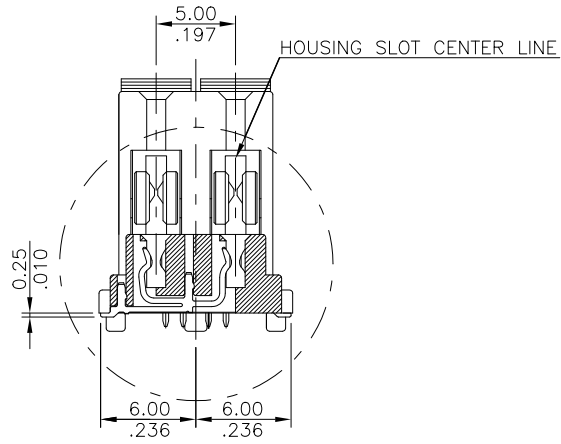
Ordering Code:

CS68 331 2 0 M0
 ① ② ③ ④ ⑤

- ① Series No.
- ② No. of Circuits:
- ③ Plating :
2= Gold flash over 50u" Nickel
- ④ Color : Nature
- ⑤ Option : M0 =Power Supply=1.8v (Standard)

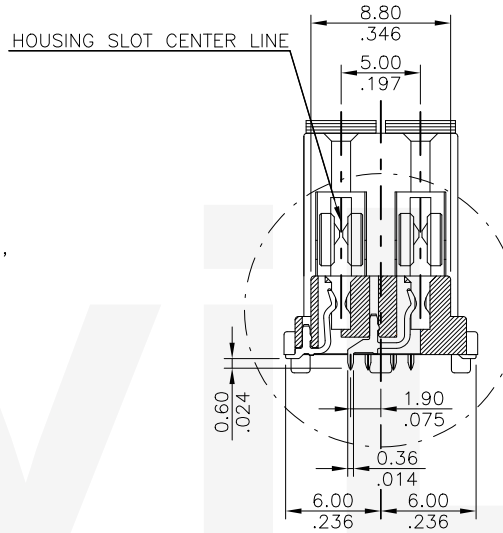


④					DATE	UNIT: mm / inch	TITLE: DAUL DDR S.O DIMM SOCKET.(V type)		瀚荃股份有限公司 CviLux Corporation	
③				DRAWN BY: Enya	11/06-12'	TOLERANCE UNLESS OTHERWISE SPECIFIED	MATERIAL:			DRAWING NO. CS6801SA
②				ENGINEER: Eisley	11/12-12'	.X ± / X' ± 3'	FINISH:	SCALE	1 / 1	SHEET 1 OF 6
①				CHECKED BY: Eisley	11/12-12'	.XX ± 0.20 / .008 .X' ±				
SYM	NAME	DATE		REVISIONS	APPROVED BY: David	11/12-12'	.XXX ± / .XX ±			



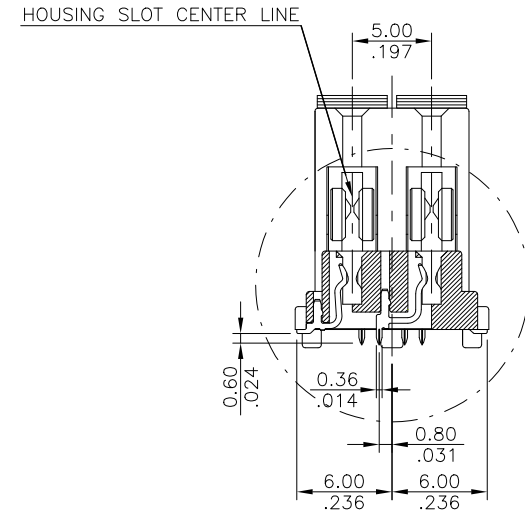
(COMMON CONTACT)

(PIN NO.: 2,3,8,9,12,15,18,21,24,27,28,33,34,39,40,41,42,47,48,53,54,59,
60,65,66,71,72,77,78,81,82,87,88,95,96,103,104,111,112,117,118,
121,122,127,128,132,133,138,139,144,145,149,150,155,156,
161,162,165,168,171,172,177,178,183,184,187,190,193,196)




(SEPARATE CONTACT"1")

(PIN NO. 5,6,11,16,17,22,23,26,29,32,35,38,43,46,49,52,55,56,61,62,67,68,
74,75,80,85,86,90,91,94,97,100,101,105,108,109,113,114,119,
124,125,130,134,137,140,143,146,147,152,153,158,159,164,169,
170,174,175,180,181,186,191,192,195,198,199)

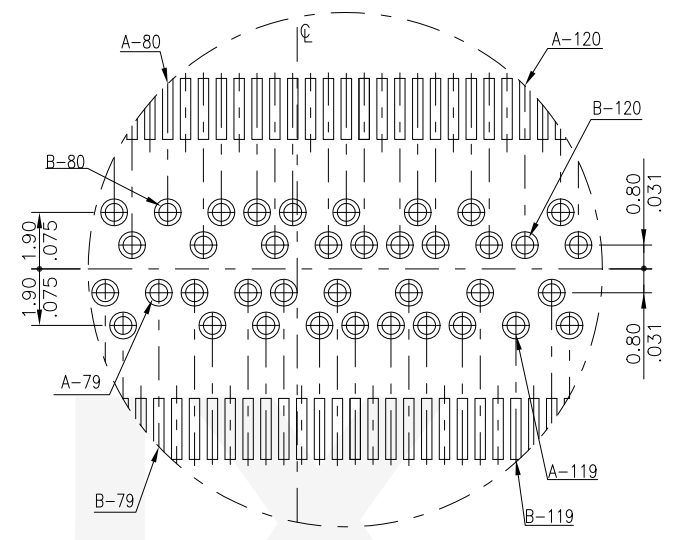
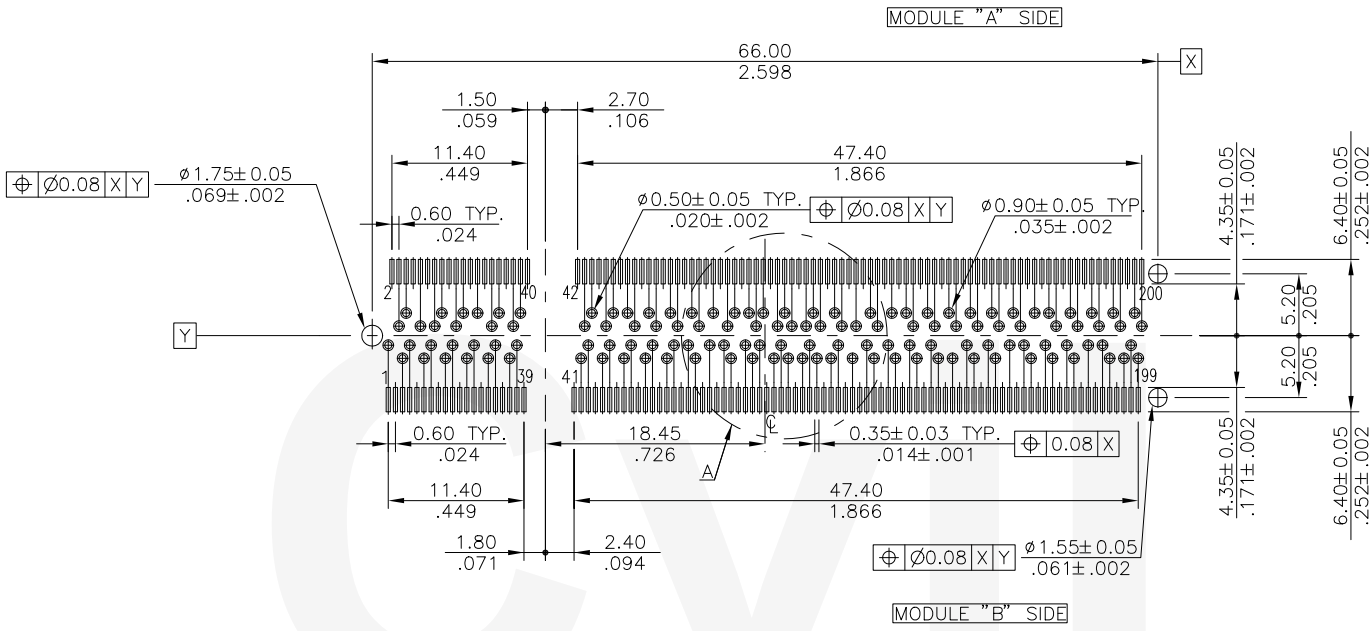


(SEPARATE CONTACT"2")

(PIN NO. 1,4,7,10,13,14,19,20,25,30,31,36,37,44,45,50,51,57,58,63,64,69,
70,73,76,79,83,84,89,92,93,98,99,102,106,107,110,115,116,
120,123,126,129,135,136,141,142,148,151,154,157,160,163,166,167,
173,176,179,182,185,188,189,194,197,200)


4					DATE	UNIT: mm / inch	TITLE:	 瀚荃股份有限公司 CviLux Corporation
3				DRAWN BY: Enya	11/06-12'	TOLERANCE UNLESS OTHERWISE SPECIFIED	DAUL DDR S.O DIMM SOCKET.(V type)	
2				ENGINEER: Eisley	11/12-12'	.X ± / X' ± 1"	MATERIAL:	
1				CHECKED BY: Eisley	11/12-12'	.XX ± 0.08 / .003 .X' ±	FINISH:	
SYM	NAME	DATE	REVISIONS	APPROVED BY: David	11/12-12'	.XXX ± / .XX ±	DRAWING NO. CS6801SA	PART NO. CS6831120M*
							SCALE 1 / 1	SHEET 2 OF 6





RECOMMENDED BOARD LAYOUT

DETAIL "A" (5/1)

4					DATE	UNIT: mm / inch	TITLE:	 瀚荃股份有限公司 CviLux Corporation			
3				DRAWN BY: Enya	11/06-12'	TOLERANCE	DAUL DDR S.O DIMM SOCKET.(V type)				
2				ENGINEER: Eisley	11/12-12'	UNLESS OTHERWISE SPECIFIED	MATERIAL:				
1				CHECKED BY: Eisley	11/12-12'	.X ± / X' ± f'	FINISH:		DRAWING NO. CS6801SA	PART NO. CS6831120M*	
SYM	NAME	DATE	REVISIONS	APPROVED BY: David	11/12-12'	.XX ± 0.08 / .003		SCALE	1 / 1	SHEET	3 OF 6
						.XXX ± / .XX ±					


 2012.12.07
 ISSUED

VSS : MODULE PIN

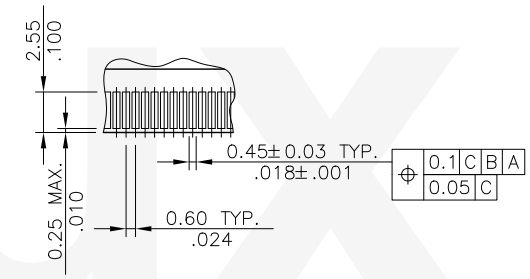
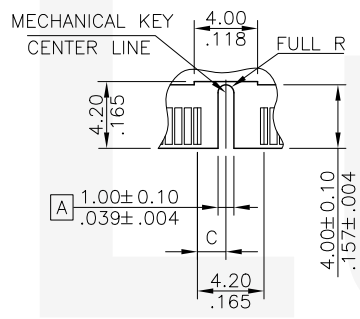
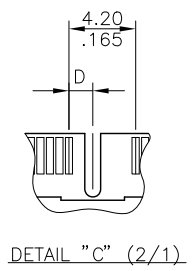
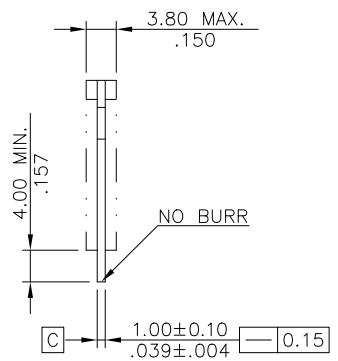
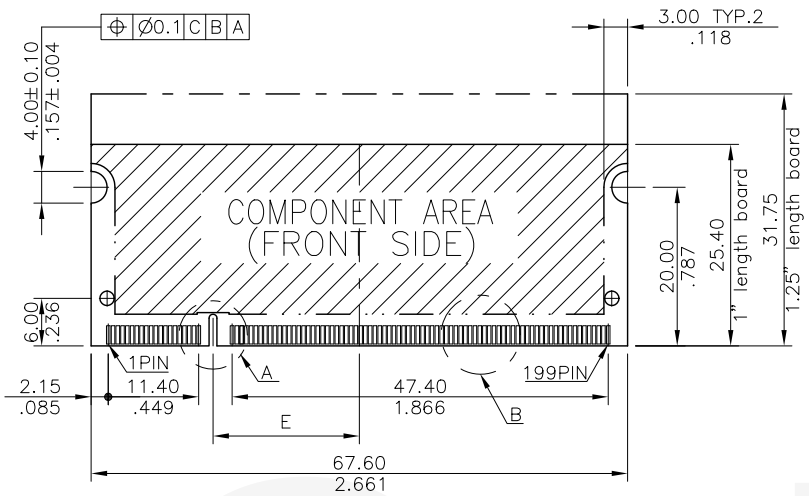
No.2,3,8,9,12,15,18,21,24,27,28,33,34,39,40,41,42,47,48,53,54,59,
60,65,66,71,72,77,78,121,122,127,128,132,133,138,139,
144,145,149,150,155,156,161,162,165,168,171,172,177,178,
183,184,187,190,193,196.

VDD : MODULE PIN No.81,82,87,88,95,96,103,104,111,112,117,118.

B-164	MODULIF	"B"	No.164	CK1	B-107	MODULIF	"B"	No.107	BA0
A-164	MODULIF	"A"	No.164	CK1	A-107	MODULIF	"A"	No.107	BA0
B-163	MODULIF	"B"	No.163	NC TEST	B-106	MODULIF	"B"	No.106	BA1
A-163	MODULIF	"A"	No.163	NC TEST	A-106	MODULIF	"A"	No.106	BA1
B-160	MODULIF	"B"	No.160	DQ53	B-105	MODULIF	"B"	No.105	A10/AP
A-160	MODULIF	"A"	No.160	DQ53	A-105	MODULIF	"A"	No.105	A10/AP
B-159	MODULIF	"B"	No.159	DQ49	B-102	MODULIF	"B"	No.102	A0
A-159	MODULIF	"A"	No.159	DQ49	A-102	MODULIF	"A"	No.102	A0
B-158	MODULIF	"B"	No.158	DQ52	B-101	MODULIF	"B"	No.101	A1
A-158	MODULIF	"A"	No.158	DQ52	A-101	MODULIF	"A"	No.101	A1
B-157	MODULIF	"B"	No.157	DQ48	B-100	MODULIF	"B"	No.100	A2
A-157	MODULIF	"A"	No.157	DQ48	A-100	MODULIF	"A"	No.100	A2
B-154	MODULIF	"B"	No.154	DQ47	B-99	MODULIF	"B"	No.99	A3
A-154	MODULIF	"A"	No.154	DQ47	A-99	MODULIF	"A"	No.99	A3
B-153	MODULIF	"B"	No.153	DQ43	B-98	MODULIF	"B"	No.98	A4
A-153	MODULIF	"A"	No.153	DQ43	A-98	MODULIF	"A"	No.98	A4
B-152	MODULIF	"B"	No.152	DQ46	B-97	MODULIF	"B"	No.97	A5
A-152	MODULIF	"A"	No.152	DQ46	A-97	MODULIF	"A"	No.97	A5
B-151	MODULIF	"B"	No.151	DQ42	B-94	MODULIF	"B"	No.94	A6
A-151	MODULIF	"A"	No.151	DQ42	A-94	MODULIF	"A"	No.94	A6
B-148	MODULIF	"B"	No.148	DQ55	B-93	MODULIF	"B"	No.93	A8
A-148	MODULIF	"A"	No.148	DQ55	A-93	MODULIF	"A"	No.93	A8
B-147	MODULIF	"B"	No.147	DM5	B-92	MODULIF	"B"	No.92	A7
A-147	MODULIF	"A"	No.147	DM5	A-92	MODULIF	"A"	No.92	A7
B-146	MODULIF	"B"	No.146	DQ55	B-91	MODULIF	"B"	No.91	A9
A-146	MODULIF	"A"	No.146	DQ55	A-91	MODULIF	"A"	No.91	A9
B-143	MODULIF	"B"	No.143	DQ41	B-90	MODULIF	"B"	No.90	A11
A-143	MODULIF	"A"	No.143	DQ41	A-90	MODULIF	"A"	No.90	A11
B-142	MODULIF	"B"	No.142	DQ45	B-89	MODULIF	"B"	No.89	A12
A-142	MODULIF	"A"	No.142	DQ45	A-89	MODULIF	"A"	No.89	A12
B-141	MODULIF	"B"	No.141	DQ40	B-86	MODULIF	"B"	No.86	NC/A14
A-141	MODULIF	"A"	No.141	DQ40	A-86	MODULIF	"A"	No.86	NC/A14
B-140	MODULIF	"B"	No.140	DQ44	B-85	MODULIF	"B"	No.85	BA2
A-140	MODULIF	"A"	No.140	DQ44	A-85	MODULIF	"A"	No.85	BA2
B-137	MODULIF	"B"	No.137	DQ35	B-84	MODULIF	"B"	No.84	NC/A15
A-137	MODULIF	"A"	No.137	DQ35	A-84	MODULIF	"A"	No.84	NC/A15
B-136	MODULIF	"B"	No.136	DQ39	B-83	MODULIF	"B"	No.83	NC
A-136	MODULIF	"A"	No.136	DQ39	A-83	MODULIF	"A"	No.83	NC
B-135	MODULIF	"B"	No.135	DQ34	B-80	MODULIF	"B"	No.80	NC/CKF1
A-135	MODULIF	"A"	No.135	DQ34	A-80	MODULIF	"A"	No.80	NC/CKF1
B-134	MODULIF	"B"	No.134	DQ38	B-79	MODULIF	"B"	No.79	CKE0
A-134	MODULIF	"A"	No.134	DQ38	A-79	MODULIF	"A"	No.79	CKE0
B-131	MODULIF	"B"	No.131	DQ54	B-76	MODULIF	"B"	No.76	DQ31
A-131	MODULIF	"A"	No.131	DQ54	A-76	MODULIF	"A"	No.76	DQ31
B-130	MODULIF	"B"	No.130	DM4	B-75	MODULIF	"B"	No.75	DQ27
A-130	MODULIF	"A"	No.130	DM4	A-75	MODULIF	"A"	No.75	DQ27
B-129	MODULIF	"B"	No.129	DQ54	B-74	MODULIF	"B"	No.74	DQ30
A-129	MODULIF	"A"	No.129	DQ54	A-74	MODULIF	"A"	No.74	DQ30
B-126	MODULIF	"B"	No.126	DQ37	B-73	MODULIF	"B"	No.73	DQ26
A-126	MODULIF	"A"	No.126	DQ37	A-73	MODULIF	"A"	No.73	DQ26
B-125	MODULIF	"B"	No.125	DQ33	B-70	MODULIF	"B"	No.70	DQ53
A-125	MODULIF	"A"	No.125	DQ33	A-70	MODULIF	"A"	No.70	DQ53
B-124	MODULIF	"B"	No.124	DQ36	B-69	MODULIF	"B"	No.69	NC
A-124	MODULIF	"A"	No.124	DQ36	A-69	MODULIF	"A"	No.69	NC
B-123	MODULIF	"B"	No.123	DQ32	B-68	MODULIF	"B"	No.68	DQ53
A-123	MODULIF	"A"	No.123	DQ32	A-68	MODULIF	"A"	No.68	DQ53
B-120	MODULIF	"B"	No.120	NC	B-67	MODULIF	"B"	No.67	DM3
A-120	MODULIF	"A"	No.120	NC	A-67	MODULIF	"A"	No.67	DM3
B-119	MODULIF	"B"	No.119	NC/ODT1	B-64	MODULIF	"B"	No.64	DQ29
A-119	MODULIF	"A"	No.119	NC/ODT1	A-64	MODULIF	"A"	No.64	DQ29
B-116	MODULIF	"B"	No.116	NC/A13	B-63	MODULIF	"B"	No.63	DQ25
A-116	MODULIF	"A"	No.116	NC/A13	A-63	MODULIF	"A"	No.63	DQ25
B-115	MODULIF	"B"	No.115	NC/S1	B-62	MODULIF	"B"	No.62	DQ28
A-115	MODULIF	"A"	No.115	NC/S1	A-62	MODULIF	"A"	No.62	DQ28
B-114	MODULIF	"B"	No.114	ODT0	B-61	MODULIF	"B"	No.61	DQ24
A-114	MODULIF	"A"	No.114	ODT0	A-61	MODULIF	"A"	No.61	DQ24
B-113	MODULIF	"B"	No.113	CAS	B-58	MODULIF	"B"	No.58	DQ23
A-113	MODULIF	"A"	No.113	CAS	A-58	MODULIF	"A"	No.58	DQ23
B-110	MODULIF	"B"	No.110	SO	B-57	MODULIF	"B"	No.57	DQ19
A-110	MODULIF	"A"	No.110	SO	A-57	MODULIF	"A"	No.57	DQ19
B-109	MODULIF	"B"	No.109	WE	B-56	MODULIF	"B"	No.56	DQ22
A-109	MODULIF	"A"	No.109	WE	A-56	MODULIF	"A"	No.56	DQ22
B-108	MODULIF	"B"	No.108	RAS	B-55	MODULIF	"B"	No.55	DQ18
A-108	MODULIF	"A"	No.108	RAS	A-55	MODULIF	"A"	No.55	DQ18
B-200	MODULIF	"B"	No.200	SA1	B-199	MODULIF	"B"	No.199	VDD-SPD
A-200	MODULIF	"A"	No.200	SA1	A-199	MODULIF	"A"	No.199	VDD-SPD
B-198	MODULIF	"B"	No.198	SA0	B-197	MODULIF	"B"	No.197	SCI
A-198	MODULIF	"A"	No.198	SA0	A-197	MODULIF	"A"	No.197	SCI
B-195	MODULIF	"B"	No.195	SDA	B-195	MODULIF	"B"	No.195	SDA
A-195	MODULIF	"A"	No.195	SDA	A-195	MODULIF	"A"	No.195	SDA
B-194	MODULIF	"B"	No.194	DQ63	B-194	MODULIF	"B"	No.194	DQ63
A-194	MODULIF	"A"	No.194	DQ63	A-194	MODULIF	"A"	No.194	DQ63
B-192	MODULIF	"B"	No.192	DQ62	B-192	MODULIF	"B"	No.192	DQ62
A-192	MODULIF	"A"	No.192	DQ62	A-192	MODULIF	"A"	No.192	DQ62
B-191	MODULIF	"B"	No.191	DQ59	B-191	MODULIF	"B"	No.191	DQ59
A-191	MODULIF	"A"	No.191	DQ59	A-191	MODULIF	"A"	No.191	DQ59
B-189	MODULIF	"B"	No.189	DQ58	B-189	MODULIF	"B"	No.189	DQ58
A-189	MODULIF	"A"	No.189	DQ58	A-189	MODULIF	"A"	No.189	DQ58
B-188	MODULIF	"B"	No.188	DQ57	B-188	MODULIF	"B"	No.188	DQ57
A-188	MODULIF	"A"	No.188	DQ57	A-188	MODULIF	"A"	No.188	DQ57
B-186	MODULIF	"B"	No.186	DQ57	B-186	MODULIF	"B"	No.186	DQ57
A-186	MODULIF	"A"	No.186	DQ57	A-186	MODULIF	"A"	No.186	DQ57
B-185	MODULIF	"B"	No.185	DM7	B-185	MODULIF	"B"	No.185	DM7
A-185	MODULIF	"A"	No.185	DM7	A-185	MODULIF	"A"	No.185	DM7
B-182	MODULIF	"B"	No.182	DQ61	B-182	MODULIF	"B"	No.182	DQ61
A-182	MODULIF	"A"	No.182	DQ61	A-182	MODULIF	"A"	No.182	DQ61
B-181	MODULIF	"B"	No.181	DQ57	B-181	MODULIF	"B"	No.181	DQ57
A-181	MODULIF	"A"	No.181	DQ57	A-181	MODULIF	"A"	No.181	DQ57
B-180	MODULIF	"B"	No.180	DQ60	B-180	MODULIF	"B"	No.180	DQ60
A-180	MODULIF	"A"	No.180	DQ60	A-180	MODULIF	"A"	No.180	DQ60
B-179	MODULIF	"B"	No.179	DQ56	B-179	MODULIF	"B"	No.179	DQ56
A-179	MODULIF	"A"	No.179	DQ56	A-179	MODULIF	"A"	No.179	DQ56
B-176	MODULIF	"B"	No.176	DQ55	B-176	MODULIF	"B"	No.176	DQ55
A-176	MODULIF	"A"	No.176	DQ55	A-176	MODULIF	"A"	No.176	DQ55
B-175	MODULIF	"B"	No.175	DQ51	B-175	MODULIF	"B"	No.175	DQ51
A-175	MODULIF	"A"	No.175	DQ51	A-175	MODULIF	"A"	No.175	DQ51
B-174	MODULIF	"B"	No.174	DQ54	B-174	MODULIF	"B"	No.174	DQ54
A-174	MODULIF	"A"	No.174	DQ54	A-174	MODULIF	"A"	No.174	DQ54
B-173	MODULIF	"B"	No.173	DQ50	B-173	MODULIF	"B"	No.173	DQ50
A-173	MODULIF	"A"	No.173	DQ50	A-173	MODULIF	"A"	No.173	DQ50
B-170	MODULIF	"B"	No.170	DM6	B-170	MODULIF	"B"	No.170	DM6
A-170	MODULIF	"A"	No.170	DM6	A-170	MODULIF	"A"	No.170	DM6
B-169	MODULIF	"B"	No.169	DQ56	B-169	MODULIF	"B"	No.169	DQ56
A-169	MODULIF	"A"	No.169	DQ56	A-169	MODULIF	"A"	No.169	DQ56
B-167	MODULIF	"B"	No.167	DQ56	B-167	MODULIF	"B"	No.167	DQ56
A-167	MODULIF	"A"	No.167	DQ56	A-167	MODULIF	"A"	No.167	DQ56
B-166	MODULIF	"B"	No.166	CK1	B-166	MODULIF	"B"	No.166	CK1
A-166	MODULIF	"A"	No.166	CK1	A-166	MODULIF	"A"	No.166	CK1

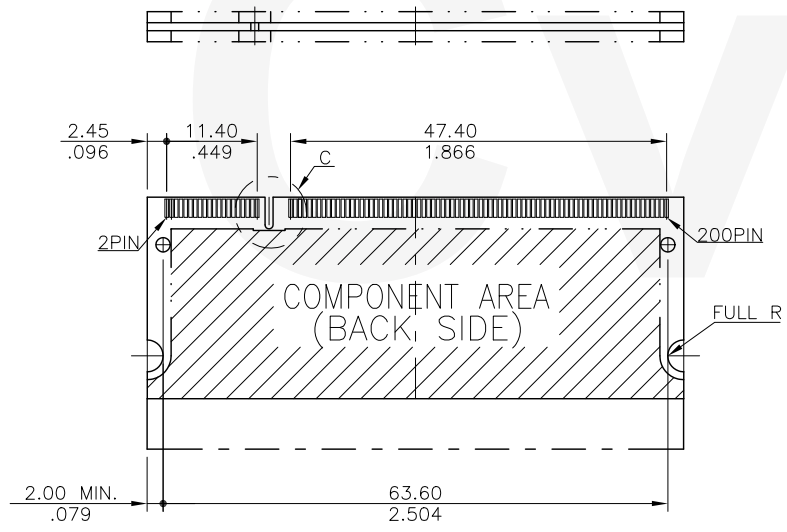
BOARD LAYOUT PIN No. (SEPARATE PART)	MODULE PIN No.	MODULE PIN NAME DDR2 S.O.DIMM	BOARD LAYOUT PIN No. (SEPARATE PART)	MODULE PIN No.	MODULE PIN NAME DDR2 S.O.DIMM	BOARD LAYOUT PIN No. (SEPARATE PART)	MODULE PIN No.	MODULE PIN NAME DDR2 S.O.DIMM	BOARD LAYOUT PIN No. (SEPARATE PART)	MODULE PIN No.	MODULE PIN NAME DDR2 S.O.DIMM
4					DATE			UNIT: mm / inch			TITLE: DAUL DDR S.O DIMM SOCKET.(V type)
3					DRAWN BY: Enya	11/06-12'		TOLERANCE UNLESS OTHERWISE SPECIFIED			MATERIAL:
2					ENGINEER: Eisley	11/12-12'		.X ± / X' ±			
1					CHECKED BY: Eisley	11/12-12'		.XX ± / .X' ±			
SYM	NAME	DATE	REVISIONS	APPROVED BY: David	11/12-12'			.XXX ± / .XX' ±			FINISH:
										DRAWING NO. CS6801SA PART NO. CS6831120M*	
										SCALE 1 / 1 SHEET 4 OF 6	






DETAIL "A" (2/1)

DETAIL "B" (2/1)

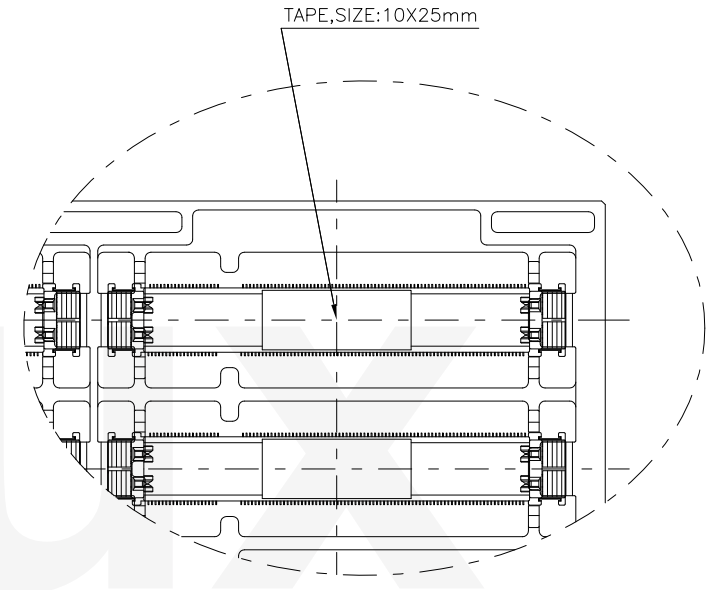
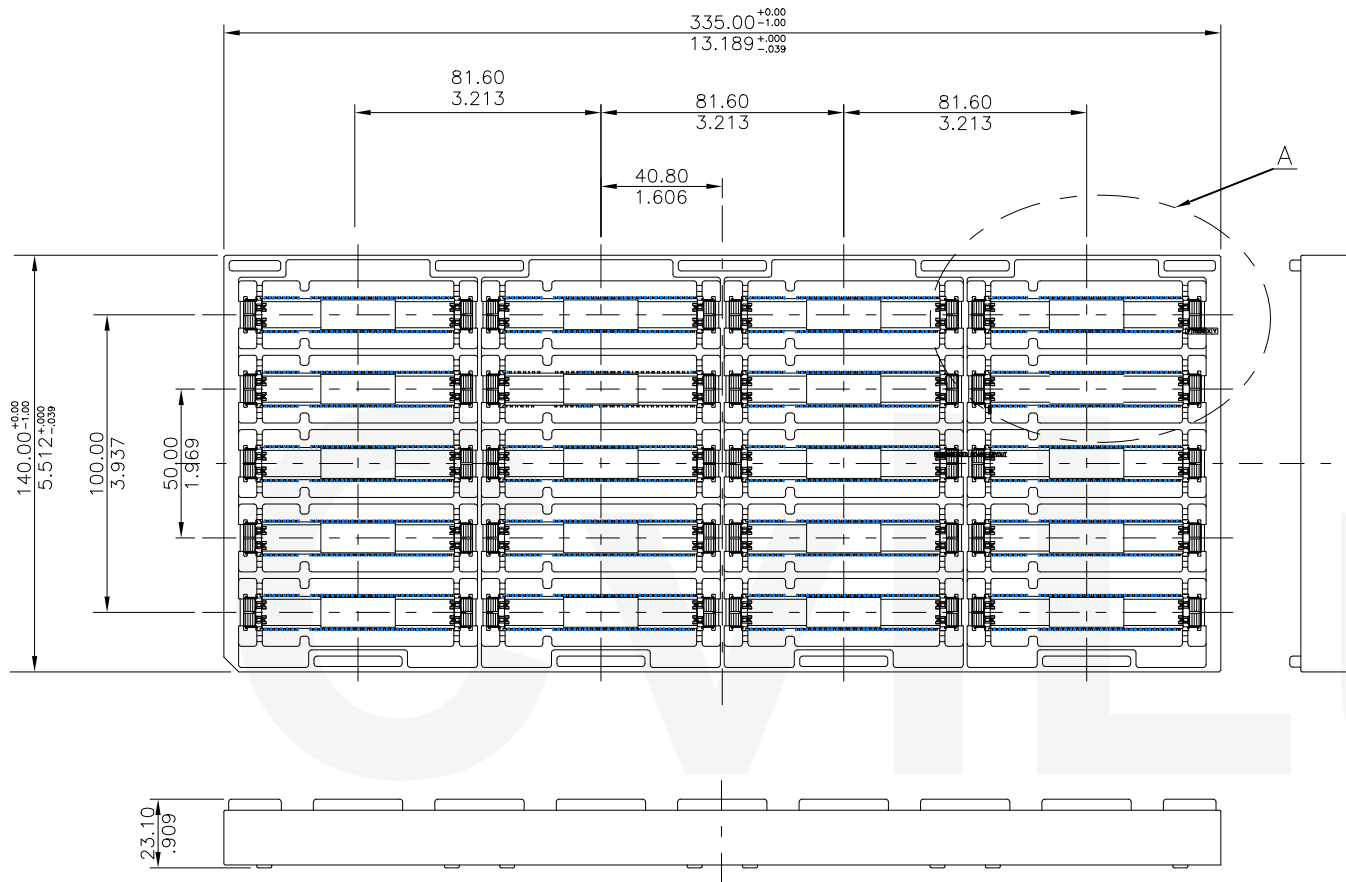


Cvilux P/N	POWER SUPPLY	Dimension		
		C	D	E
CS6833120M0	1.8V	2.70(.106)	2.40(.094)	17.55(.691)

4						DATE	UNIT: mm / inch	TITLE:	 瀚荃股份有限公司 Cvilux Corporation	
3					DRAWN BY: Enya	11/06-12'	TOLERANCE UNLESS OTHERWISE SPECIFIED	DAUL DDR S.O DIMM SOCKET.(V type)		
2					ENGINEER: Eisley	11/12-12'	.X ± / X: ± 1'	MATERIAL:		
1					CHECKED BY: Eisley	11/12-12'	.XX ± 0.15 / .006 .X ±	FINISH:		
SYM	NAME	DATE	REVISIONS		APPROVED BY: David	11/12-12'	.XXX ± / .XX ±		DRAWING NO. CS6801SA	PART NO. CS6831120M0
									SCALE 1 / 1	SHEET 5 OF 6




 CVILUX CORP
 2012.12.07
 ISSUED



DETAIL A
(SCALE 1/1)

HARD TRAY PACKAGING

4					DATE	UNIT: mm / inch		TITLE: DAUL DDR S.O DIMM SOCKET.(V type)		 瀚荃股份有限公司 CviLux Corporation	DRAWING NO. CS6801SA		PART NO.	CS6831120M*	
3					DRAWN BY: Enya	11/06-12'	TOLERANCE UNLESS OTHERWISE SPECIFIED		MATERIAL:		SCALE	1 / 1	SHEET	6	OF
2					ENGINEER: Eisley	11/12-12'	.X ± /	X' ± 1'	FINISH:						
1					CHECKED BY: Eisley	11/12-12'	.XX ± 0.08 / .003	.X' ±							
SYM	NAME	DATE	REVISIONS	APPROVED BY: David	11/12-12'	.XXX ± /	.XX' ±								

