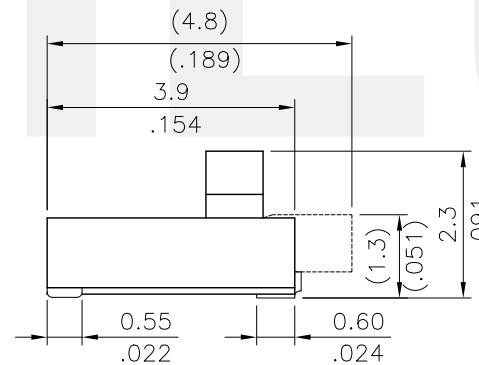
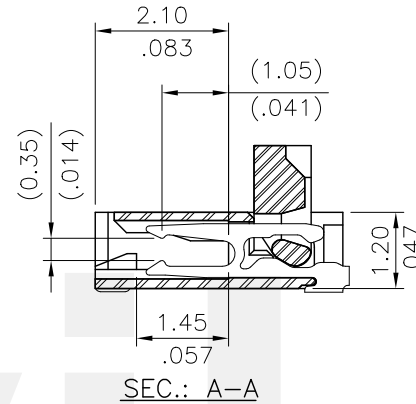
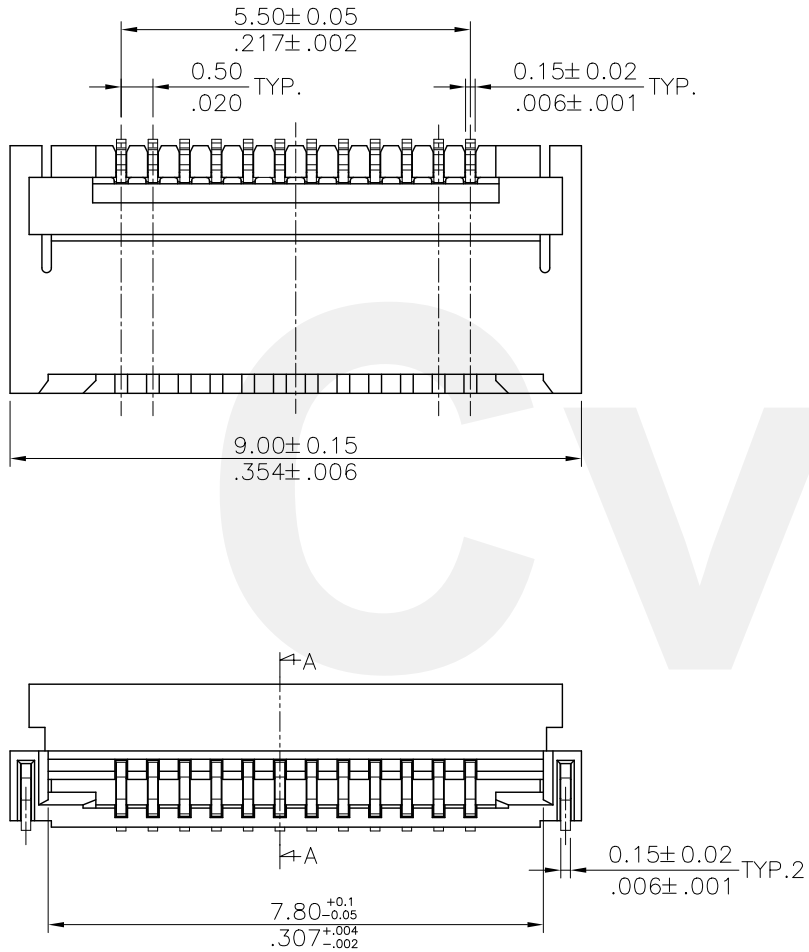


Material :

- * Body : LCP UL 94V-0, Color Nature
- △ * Slider : LCP UL 94V-0, Color Black
- * Contact : Phosphor Bronze
- * Fixed tab : Phosphor Bronze with Matte Tin plated



Ordering Code

CF41 12 2 H 0 R 0 -LF
 ① ② ③ ④ ⑤ ⑥ ⑦ ⑧

- ① Series No.
- ② No. of Circuits
- ③ Plating code:
2 = Gold flash over 0.76μm(30μ") Nickel
- ④ Contact style: H = Side entry
- ⑤ Color: 0 = Nature
- ⑥ Packing option: R = Tape & Reel
- ⑦ Other option: 0 = Standard
- ⑧ -LF = Lead Free IR Process

Lead Free Process

RoHS Compliant

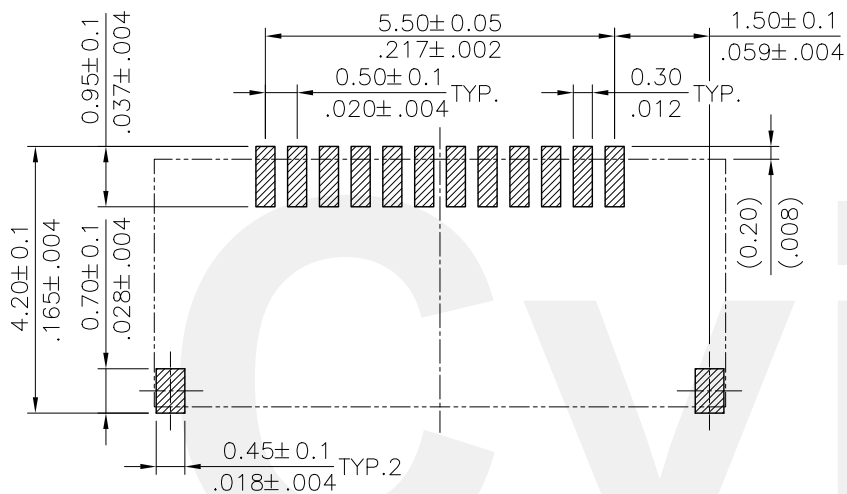
△4					DATE	UNIT: mm / inch	TITLE: 0.50mm(.020") ZIF FPC ONE-TOUCH CONNECTOR (H= 1.30mm)
△3					DRAWN BY: Enya	2/25-13'	MATERIAL:
△2					ENGINEER: Eisley	2/26-13'	
△1	Enya	2/5-13'	ECN13034-0/ECR13005-1		CHECKED BY: Eisley	2/26-13'	FINISH:
SYM	NAME	DATE	REVISIONS		APPROVED BY: David	2/26-13'	

CVILUX CORP
 2013.03.07
 ISSUED

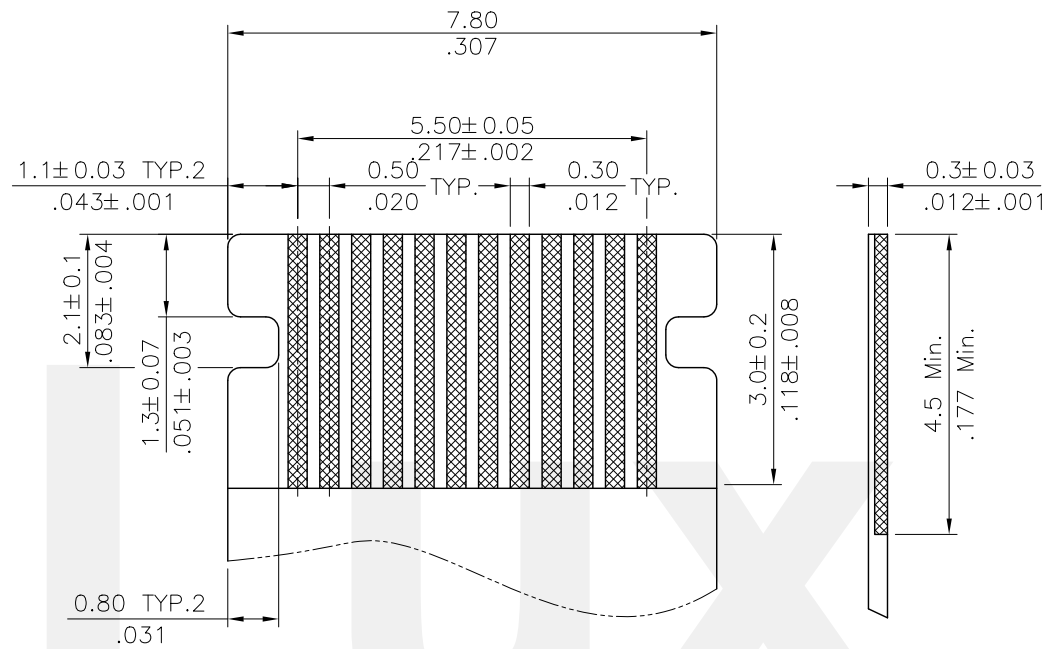


瀚荃股份有限公司
CviLux Corporation

DRAWING NO.	CF4101SB	PART NO.	CF41122H0R0-LF
SCALE	8 / 1	SHEET	1 OF 3



Recommended P.C. Board Layout



Recommended FPC Dimension

Lead Free Process

RoHS Compliant

4						DATE	UNIT: mm / inch	TITLE: 0.50mm(.020") ZIF FPC ONE-TOUCH CONNECTOR (H= 1.30mm)	 瀚荃股份有限公司 CviLux Corporation
3			DRAWN BY: Enya		2/25-13'	TOLERANCE UNLESS OTHERWISE SPECIFIED			
2			ENGINEER: Eisley		2/26-13'	.X ± 0.15/.006	.X' ± 1'	MATERIAL:	
1	Enya	2/5-13'	ECN13034-0/ECR13005-1		CHECKED BY: Eisley	2/26-13'	.XX ± 0.10/.004	.X' ±	FINISH:
SYM	NAME	DATE	REVISIONS	APPROVED BY: David	2/26-13'	.XXX ± 0.05/.002	.XX' ±	DRAWING NO. CF4101SB	PART NO. CF41**2HOR0-LF
								SCALE 8 / 1	SHEET 2 OF 3

