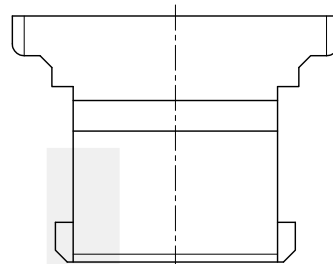
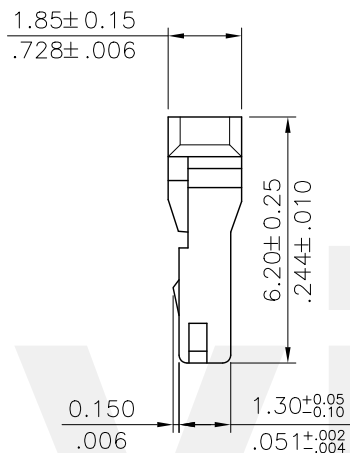
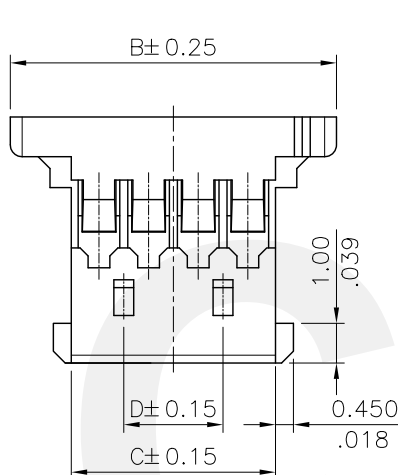


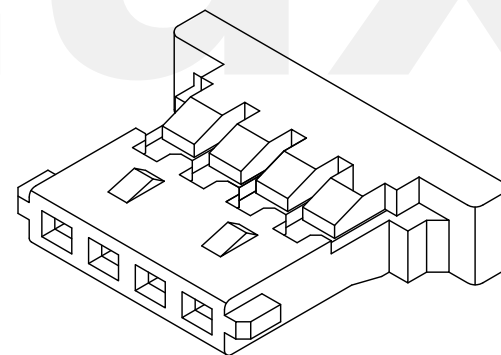
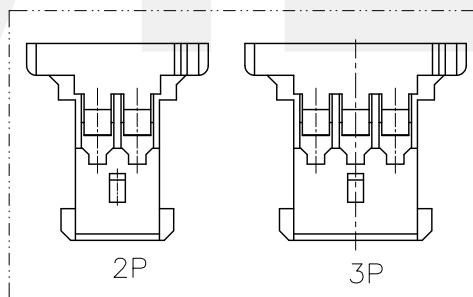
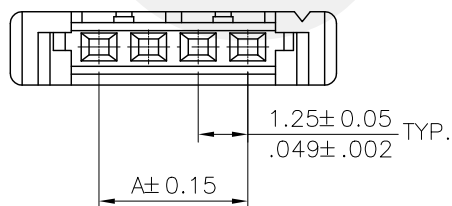
Material:
 NYLON 66 UL 94V-0,
 Color Nature

Ordering Code:
 CI42 ** S L 000
 ① ② ③ ④ ⑤

- ① Series No.
- ② Contact: 02 to 30
- ③ S= Female
- ④ L= With Locking Latch
- ⑤ Option:
 000=Standard(Color Nature)



A = 1.25 * No. of Space
 B = A + 4.47
 C = A + 1.4
 D = A - 1.25



Halogen-Free

RoHS Compliant

④					DATE	UNIT: mm / inch	TITLE:	瀚荃股份有限公司 CviLux Corporation
③				DRAWN BY: Karen	11/15-12'	TOLERANCE UNLESS OTHERWISE SPECIFIED	CI42 SERIES HOUSING	
②				ENGINEER: Eisley	11/15-12'	.X ± 0.25/.095 X' ± 1"	MATERIAL:	
①				CHECKED BY: Eisley	11/15-12'	.XX ± 0.15/.006 .X' ±	FINISH:	
SYM	NAME	DATE		APPROVED BY: David	11/15-12'	.XXX ± 0.08/.003 .XX' ±		
		REVISIONS					DRAWING NO. CI4208SA	PART NO. CI42**SL000
							SCALE 5/1	SHEET 1 OF 1