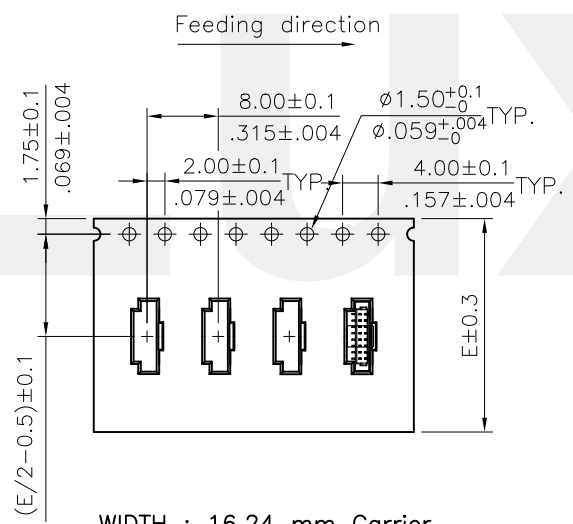
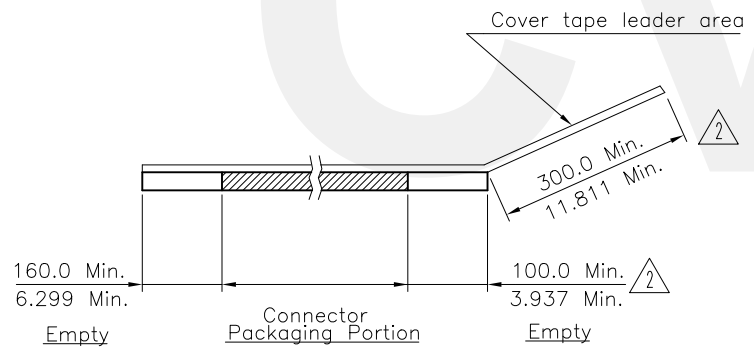


NOTE :

- \* Reel Material : Corrugated Paper
- \* Carrier Material : Color Nature(Clear), Polystyrene alloy
- \* Cover Tape Material : Polyester
- \* Cover Tape Peel Strength : 0.1N - 1.3N
- \* Carrier camber is within 1mm in 100mm
- \* All dimensions meet EIA-481-2 & EIA-481-3 requirements.
- \* Quantity : 2000 PCS/Reel

Circuits	Dimension				Packing (Reel/Caton)
	E	W1	W2	W3	
2~7	16.0(.630)	16.5(.650)	22.5(.885)	16.5(.650)	11
8~15	24.0(.945)	24.5(.965)	30.5(1.200)	24.5(.965)	9



WIDTH : 16,24 mm Carrier

RoHS Compliant

CVILUX CORP  
2015.01.16  
ISSUED

4					DATE	UNIT: mm / inch	TITLE: 0.8mm Pitch WTB SMT V TYPE	瀚荃股份有限公司 CviLux Corporation			
3					DRAWN BY: Ellie	TOLERANCE UNLESS OTHERWISE SPECIFIED	MATERIAL:				
2	Ellie	12/24-14'	ECNT114252/ECRT114090		ENGINEER: Sun	.X ±	.X' ± 1'	DRAWING NO. CI1815SC	PART NO. CI18**M**V**-NH	SHEET 2 OF 2	
1	Hank	9/2-13'	ECNT113047		CHECKED BY: Eisley	.XX ±	.X ±				
SYM	NAME	DATE	REVISIONS		APPROVED BY: Eisley	.XXX ±	.XX ±	SCALE			