

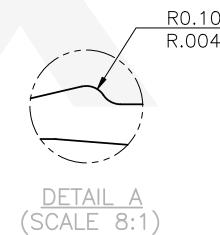
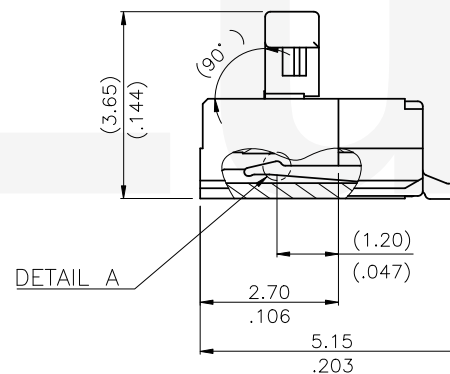
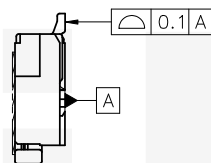
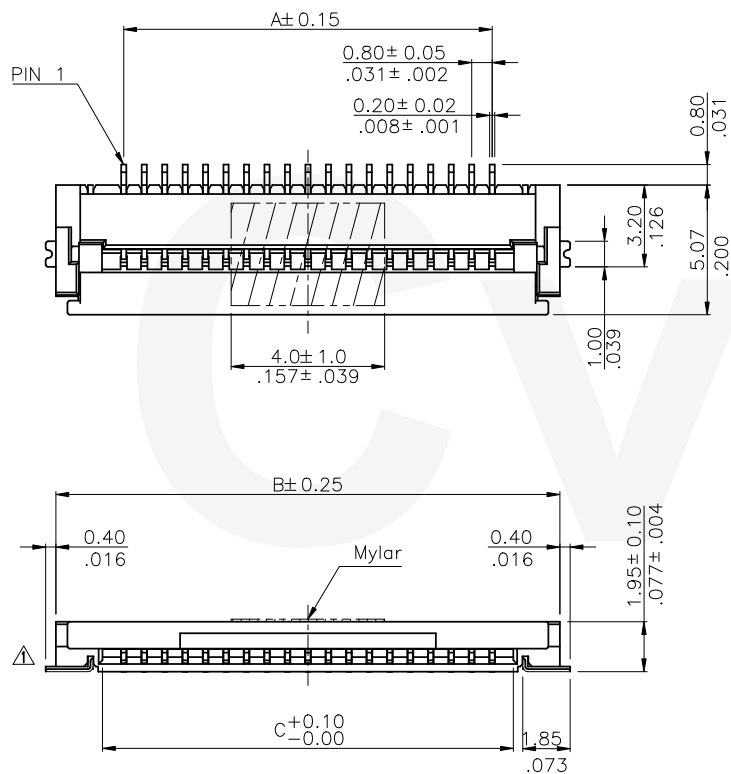
Material :

- \* Base: High temperature plastic UL 94V-0, Color Nature
- \* Cover: High temperature plastic UL 94V-0, Color Black
- \* Contact: Phosphor Bronze
- \* Fixed tab: Brass with Matte Tin Plated over Nickel

### Ordering Code

CF37 \*\* \* D 0 \* \* -NH  
 ① ② ③ ④ ⑤ ⑥ ⑦ ⑧

- ① Series No.
- ② No. of Circuits
- ③ Plating code: 1= 2.03 $\mu$ m(80 $\mu$ "') Min. Matte Tin plated over 1.27 $\mu$ m(50 $\mu$ "') Min. Nickel  
 2= 0.02 $\mu$ m(0.8 $\mu$ "') Min. Gold flash over 1.27 $\mu$ m(50 $\mu$ "') Min. Nickel
- ④ Contact style: D= Downside contact
- ⑤ 0= Color Nature
- ⑥ Packing: R= Tape & Reel  
 T= Tube Packing
- ⑦ Other option: 0= Without Mylar  
 M= With Mylar
- ⑧ -NH= For Lead Free IR Processed and Halogen Free




COVER OPEN STATE  
(SCALE 2:1)

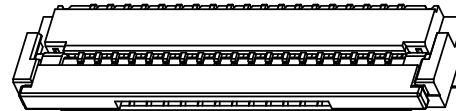
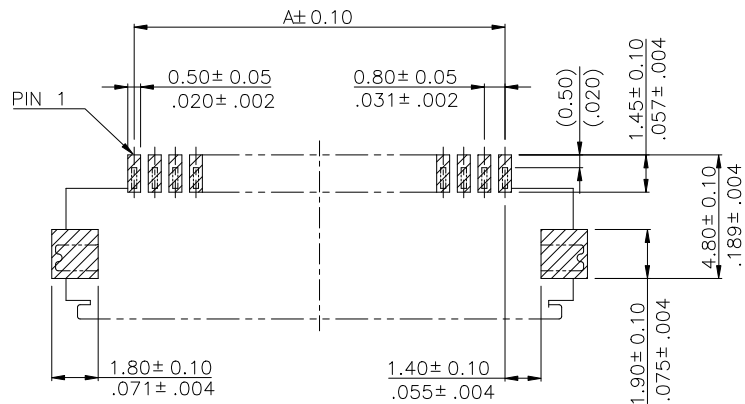
Halogen-Free

Lead Free Process

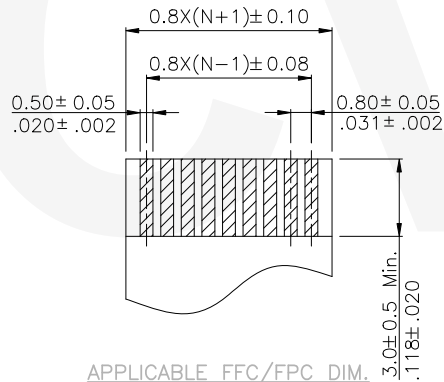
RoHS Compliant

CVILUX CORP  
 2012.07.12  
 ISSUED

④					DATE	UNIT: mm / inch	TITLE: 0.80mm(.031") ZIF FFC/FPC ONE-TOUCH CONNECTOR	 瀚荃股份有限公司 CviLux Corporation			
③					DATE	TOLERANCE UNLESS OTHERWISE SPECIFIED	MATERIAL:				
②					DATE	.X ± 0.25/010 X' ±	FINISH:	DRAWING NO.	CF3701SB	PART NO.	CF37***D0*M-NH
①	Claire	7/6-12'	ECR12043-5/ECN12037-5/ECR12048-5	CHECKED BY:	Jerry	.XX ± 0.15/006 X' ± 1'		SCALE	5 / 1	SHEET	1 OF 3
SYM	NAME	DATE	REVISIONS	APPROVED BY:	Scott	.XXX ±	XX' ±				



RECOMMENDED PCB LAYOUT



APPLICABLE FFC/FPC DIM.  
(THICKNESS: 0.3 ± 0.03)

Circuits	DIMENSIONS		
	A	B	C
4	2.40 (.094)	7.70 (.303)	4.06 (.160)
5	3.20 (.126)	8.50 (.335)	4.86 (.191)
6	4.00 (.157)	9.30 (.366)	5.66 (.223)
7	4.80 (.189)	10.10 (.398)	6.46 (.254)
8	5.60 (.220)	10.90 (.429)	7.26 (.286)
9	6.40 (.252)	11.70 (.461)	8.06 (.317)
10	7.20 (.283)	12.50 (.492)	8.86 (.349)
11	8.00 (.315)	13.30 (.524)	9.66 (.380)
12	8.80 (.346)	14.10 (.555)	10.46 (.412)
13	9.60 (.378)	14.90 (.587)	11.26 (.443)
14	10.40 (.409)	15.70 (.618)	12.06 (.475)
15	11.20 (.441)	16.50 (.650)	12.86 (.506)
16	12.00 (.472)	17.30 (.681)	13.66 (.538)
17	12.80 (.504)	18.10 (.713)	14.46 (.569)
18	13.60 (.535)	18.90 (.744)	15.26 (.601)
19	14.40 (.567)	19.70 (.776)	16.06 (.632)

Circuits	DIMENSIONS		
	A	B	C
20	15.20 (.598)	20.50 (.807)	16.86 (.664)
21	16.00 (.630)	21.30 (.839)	17.66 (.695)
22	16.80 (.661)	22.10 (.870)	18.46 (.727)
23	17.60 (.693)	22.90 (.902)	19.26 (.758)
24	18.40 (.724)	23.70 (.933)	20.06 (.790)
25	19.20 (.756)	24.50 (.965)	20.86 (.821)
26	20.00 (.787)	25.30 (.996)	21.66 (.853)
27	20.80 (.819)	26.10 (1.028)	22.46 (.884)
28	21.60 (.850)	26.90 (1.059)	23.26 (.916)
29	22.40 (.882)	27.70 (1.091)	24.06 (.947)
30	23.20 (.913)	28.50 (1.122)	24.86 (.979)
31	24.00 (.945)	29.30 (1.154)	25.66 (1.010)
32	24.80 (.976)	30.10 (1.185)	26.46 (1.042)
33	25.60 (1.008)	30.90 (1.217)	27.26 (1.073)
34	26.40 (1.039)	31.70 (1.248)	28.06 (1.105)
35	27.20 (1.071)	32.50 (1.280)	28.86 (1.136)

CVILUX CORP  
**2012.07.12**  
**ISSUED**

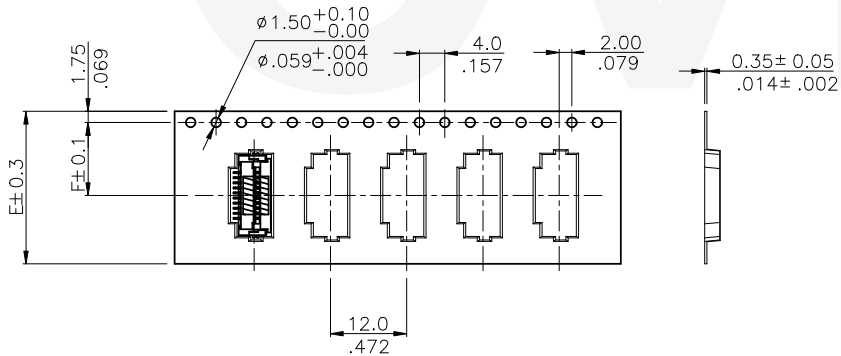
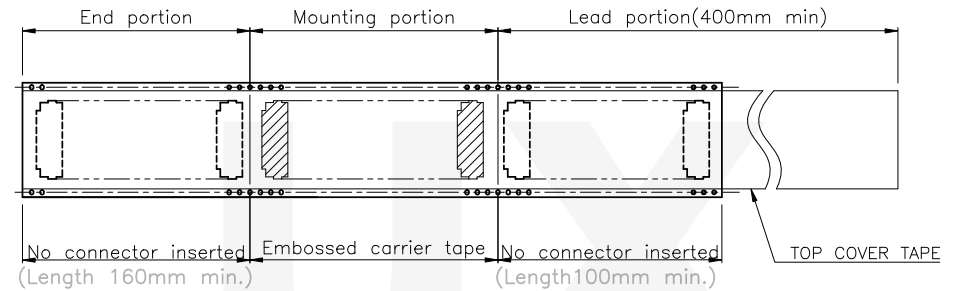
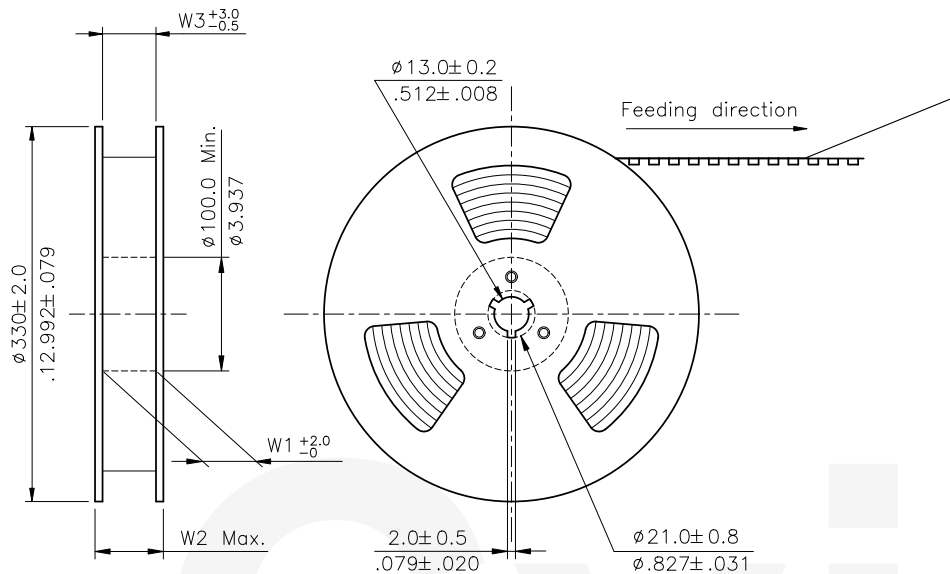
Halogen-Free    Lead Free Process    RoHS Compliant

4					DATE	UNIT: mm / inch	TITLE: 0.80mm(.031") ZIF FFC/FPC ONE-TOUCH CONNECTOR	瀚荃股份有限公司 CviLux Corporation	
3				DRAWN BY: Claire	7/6-12'	TOLERANCE UNLESS OTHERWISE SPECIFIED	MATERIAL:		
2				ENGINEER: Francis	7/6-12'	.X ± 0.25/.010    .X' ±	FINISH:	DRAWING NO. CF3701SB	PART NO. CF37***D0*M-NH
1	Claire	7/6-12'	ECR12043-5/ECN12037-5/ECR12048-5	CHECKED BY: Jerry	7/9-12'	.XX ± 0.15/.006    .X' ± 1'		SCALE 5 / 1	SHEET 2 OF 3
SYM	NAME	DATE	REVISIONS	APPROVED BY: Scott	7/9-12'	.XXX ±    .XX' ±			

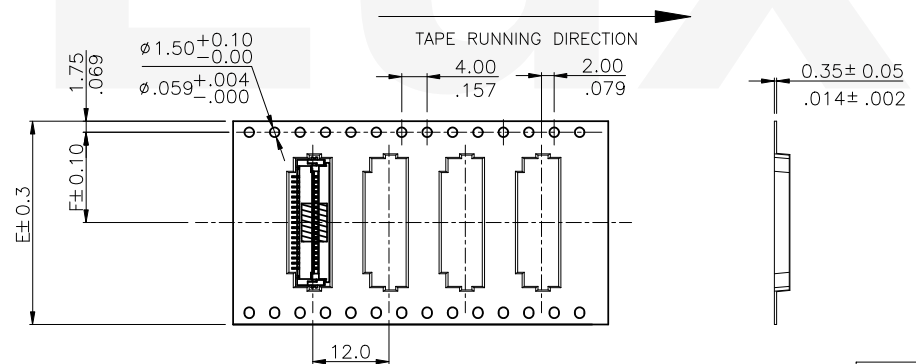
Notes:

1. 10 sprocket hole pitch cumulative tolerance ±0.2
2. Camber not to exceed 1mm in 100mm.
3. Material: Advantek Polystyrene.
4. Pocket position relative to sprocket hole measured as true position of pocket, not pocket hole.
5. All dimensions meet EIA-481-B requirements.
6. Quantity: 2000 PCS/REEL

Circuits	Dimension					Packing (Reel/Caton)
	E	F	W1	W2	W3	
4-5	16.0(.630)	7.50(.295)	16.5(.650)	22.5(.885)	16.5(.650)	11
6-15	24.0(.945)	11.50(.453)	24.5(.965)	30.5(1.200)	24.5(.965)	9
16-21	32.0(1.260)	14.20(.559)	32.5(1.280)	38.5(1.516)	32.5(1.280)	7
22-35	44.0(1.732)	20.20(.795)	44.5(1.752)	50.5(1.988)	44.5(1.752)	5
36-40	56.0(2.205)	26.2(1.031)	56.5(2.224)	62.5(2.460)	56.5(2.224)	4



WIDTH : 16 , 24 mm Carrier  
(SCALE 1:6)



WIDTH : 32, 44, 56 mm Carrier  
(SCALE 1:6)

RoHS Compliant

4				<div style="text-align: center; border: 2px solid red; border-radius: 50%; padding: 5px;"> <b>CVILUX CORP</b>  <b>2012.07.12</b>  <b>ISSUED</b> </div>		DATE	UNIT: mm / inch	TITLE: 0.80mm(.031") ZIF FFC/FPC ONE-TOUCH CONNECTOR	瀚荃股份有限公司 Cvilux Corporation
3			DRAWN BY: Claire		7/6-12'	TOLERANCE UNLESS OTHERWISE SPECIFIED	MATERIAL:		
2			ENGINEER: Francis		7/6-12'	.X ± 0.15/.006 X* ±	FINISH:		
1	Claire	7/6-12'	ECR12043-5/ECN12037-5/ECR12048-5		CHECKED BY: Jerry	7/9-12'	.XX ± 0.10/.004 X* ± 1'	DRAWING NO. CF3701SB PART NO. CF37***D0*M-NH	
SYM	NAME	DATE	REVISIONS		APPROVED BY: Scott	7/9-12'	.XXX ± .XX ±	SCALE 5 / 1 SHEET 3 OF 3	